



WT30-11

SICK
Sensor Intelligence.



Illustration may differ



Ordering information

Type	Part no.
WT30-11	1004489

Other models and accessories → www.sick.com/

Detailed technical data

Features

Sensor/ detection principle	Photoelectric proximity sensor, Background suppression
Dimensions (W x H x D)	36 mm x 85 mm x 72 mm
Housing design (light emission)	Rectangular
Sensing range max.	15 mm ... 100 mm ¹⁾
Sensing range	≥ 15 mm
Type of light	Visible red light
Light source	LED
Adjustment	Potentiometer Potentiometer

¹⁾ Object with 90 % reflectance (referred to standard white, DIN 5033).

Mechanics/electronics

Supply voltage	10 V DC ... 30 V DC
Ripple	< 10 V _{pp}
Power consumption	80 mA ¹⁾
Switching mode	Light/dark switching
Response time	≤ 15 ms ²⁾
Connection type	Terminal, PG9
Housing material	Plastic, Glassfibre reinforced plastic
Optics material	Plastic, PMMA
Enclosure rating	IP65
Ambient operating temperature	-25 °C ... +55 °C
Ambient storage temperature	-40 °C ... +80 °C

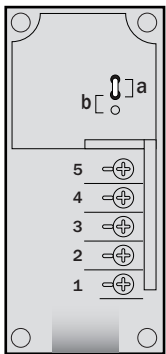
¹⁾ Without load.

²⁾ Signal transit time with resistive load.

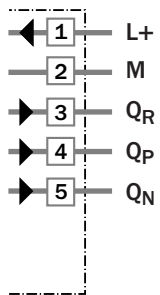
Classifications

ECl@ss 5.0	27270904
ECl@ss 5.1.4	27270904
ECl@ss 6.0	27270904
ECl@ss 6.2	27270904
ECl@ss 7.0	27270904
ECl@ss 8.0	27270904
ECl@ss 8.1	27270904
ECl@ss 9.0	27270904
ETIM 5.0	EC002719
ETIM 6.0	EC002719
UNSPSC 16.0901	39121528

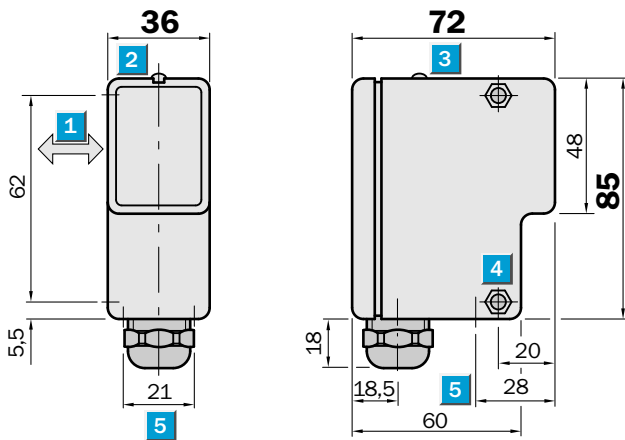
Adjustments possible



Connection diagram



Dimensional drawing (Dimensions in mm (inch))



- ① Standard direction of the material being detected
- ② Alignment sight
- ③ Function indicator
- ④ Fixing hole, bore on both sides for M5 hexagon nut
- ⑤ M5 threaded mounting hole, 5.5 mm deep

SICK AT A GLANCE

SICK is one of the leading manufacturers of intelligent sensors and sensor solutions for industrial applications. A unique range of products and services creates the perfect basis for controlling processes securely and efficiently, protecting individuals from accidents and preventing damage to the environment.

We have extensive experience in a wide range of industries and understand their processes and requirements. With intelligent sensors, we can deliver exactly what our customers need. In application centers in Europe, Asia and North America, system solutions are tested and optimized in accordance with customer specifications. All this makes us a reliable supplier and development partner.

Comprehensive services complete our offering: SICK LifeTime Services provide support throughout the machine life cycle and ensure safety and productivity.

For us, that is “Sensor Intelligence.”

WORLDWIDE PRESENCE:

Contacts and other locations –www.sick.com