



Sure to be Safe

Hooks
Hook Suspensions
Bottom Blocks
Laminated Hooks



Load capacity

According to DIN 15400

STRENGHT CLASS	HOISTING CLASS										STRENGHT CLASS
M					1Bm/M3	1Am/M4	2m/M5	3m/M6	4m/M7	5m/M8	M
P				1Bm/M3	1Am/M4	2m/M5	3m/M6	4m/M7	5m/M8		P
S			1Bm/M3	1Am/M4	2m/M5	3m/M6	4m/M7	5m/M8			S
T		1Bm/M3	1Am/M4	2m/M5	3m/M6	4m/M7					T
V	1Bm/M3	1Am/M4	2m/M5	3m/M6	4m/M7						V

HOOK NO.	LOAD CAPACITY (kg)										HOOK NO.
006	320	250	200	160	125	100					006
010	500	400	320	250	200	160	125	100			010
012	630	500	400	320	250	200	160	125	100		012
020	1.000	800	630	500	400	320	250	200	160	125	020
025	1.250	1.000	800	630	500	400	320	250	200	160	025
04	2.000	1.600	1.250	1.000	800	630	500	400	320	250	05
05	2.500	2.000	1.600	1.250	1.000	800	630	500	400	320	05
08	4.000	3.200	2.000	2.000	1.600	1.250	1.000	800	630	500	08
1	5.000	4.000	3.200	2.000	2.000	1.600	1.250	1.000	800	630	1
1,6	8.000	6.300	5.000	4.000	3.200	2.000	2.000	1.600	1.250	1.000	1,6
2,5	12.500	10.000	8.000	6.300	5.000	4.000	3.200	2.500	2.000	1.600	2,5
4	20.000	16.000	12.500	10.000	8.000	6.300	5.000	4.000	3.200	2.500	4
5	25.000	20.000	16.000	12.500	10.000	8.000	6.300	5.000	4.000	3.200	5
6*	32.000	25.000	20.000	16.000	12.500	10.000	8.000	6.300	5.000*	4.000	6*
8	40.000	32.000	25.000	20.000	16.000	12.500	10.000	8.000	6.300	5.000	8
10*	50.000	40.000	32.000	25.000	20.000	16.000	12.500	10.000	8.000*	6.300	10*
12*	63.000	50.000	40.000	32.000	25.000	20.000	16.000	12.500*	10.000*	8.000	12*
16*	80.000	63.000	50.000	40.000	32.000	25.000	20.000	16.000*	12.500	10.000	16*
20*	100.000	80.000	63.000	50.000	40.000	32.000	25.000	20.000*	16.000	12.500	20*
25	125.000	100.000	80.000	63.000	50.000	40.000	32.000	25.000	20.000	16.000	25
32*	160.000	125.000	100.000	80.000	63.000	50.000	40.000*	32.000*	25.000	20.000	32*
40*	200.000	160.000	125.000	100.000	80.000	63.000	50.000*	40.000	32.000	25.000	40*
50	250.000	200.000	160.000	125.000	100.000	80.000	63.000	50.000	40.000	32.000	50
63*	320.000	250.000	200.000	160.000	125.000	100.000	80.000*	63.000	50.000	40.000	63*
80*	400.000	320.000	250.000	200.000	160.000	125.000	100.000*	80.000	63.000	50.000	80*
100*	500.000	400.000	320.000	250.000	200.000	160.000	125.000*	100.000	80.000	63.000	100*
125*		500.000	400.000	320.000	250.000	200.000	160.000*	125.000	100.000	80.000	125*
160*			500.000	400.000	320.000	250.000	200.000	160.000	125.000	100.000	160*
200*				500.000	400.000	320.000	250.000*	200.000	160.000	125.000	200*
250					500.000	400.000	320.000*	250.000	200.000	160.000	250

* Recommended for steel works applications

Hook material

According to DIN 15400

HOOK NO.	Shank diameter d1 (mm)	STEEL AS SPECIFIED IN					HOOK NO.				
		DIN 17102, 1710		DIN 17102, 17103, 17200							
		M	P	S	T	V					
006	14						006				
010	16						010				
012							012				
020	20						020				
025							025				
04	24					34CrMo4	05				
05					StE 500 34CrMo4		05				
08	30						08				
1							1				
1,6	36						1,6				
2,5	42	StE 285	StE 355	StE 420 34CrMo4			2,5				
4	48								4		
5	53						5				
6	60						6				
8	67						8				
10	75					34CrNi- Mo6	10				
12	85							12			
16	95				34CrMo4		16				
20	106						20				
25	118						25				
32	132						32				
40	150						40				
50	170						50				
63	190						63				
80	212						80				
100	236	StE 355	StE 420	StE 500 34CrMo4	34CrNi- Mo4	30CrNi- Mo8	100				
125	265										125
160	300										160
200	335										200
250	375										250

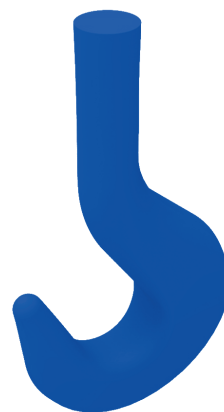
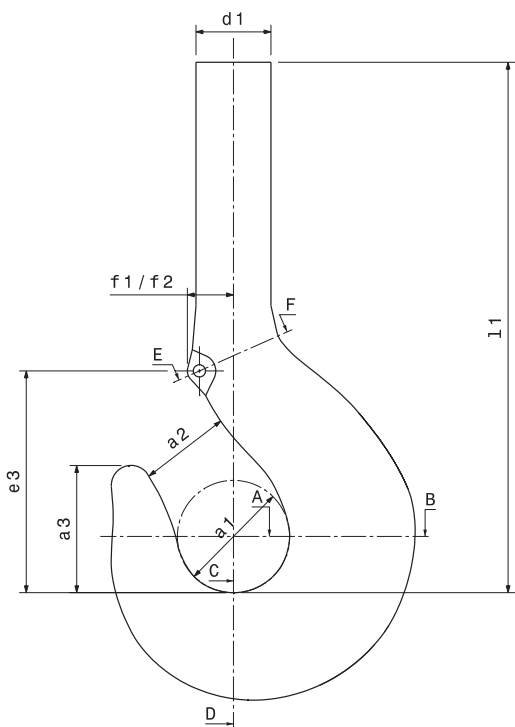
STRENGTHENING THE PORTFOLIO OF DRIVE COMPONENTS

With expanded capacity and larger machinery SIBRE Italia s.r.l. & Meccanica Center offer a wide range of customisable drive components such as hooks, rope sheaves, limit switches and crane buffers for applications in the steel industry and materials handling.

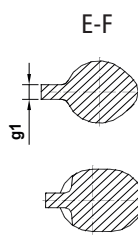
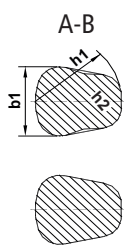
Please ask for our other brochures! Our sales team is looking forward to advise you. You are always welcome!

Single hooks

According to DIN 15401



SECTIONAL VIEW

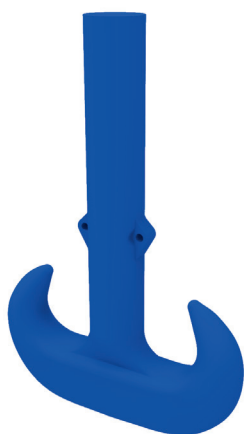


DIE-FORGED

FREE-FORGED

Hook NO.	DIMENSIONS (mm)													Unit weight (kg)
	a ₁	a ₂	a ₃	b ₁	b ₂	d ₁	e ₃	f ₁	f ₂	g ₁	h ₁	h ₂	l ₁	
1,6	56	45	64	45	38	36	118	35	-	14	56	48	224	4,5
2,5	63	50	72	53	45	42	132	40	-	16	67	58	253	6,3
4	71	56	80	63	53	48	148	45	-	16	80	67	285	8,8
5	80	63	90	71	60	53	165	51	-	18	90	75	318	12,3
6	90	71	101	80	67	60	185	57	-	18	100	85	380	17,1
8	100	80	113	90	75	67	210	64	-	23	112	95	418	24
10	112	90	127	100	85	75	221	-	46	23	125	106	452	34
12	125	100	143	112	95	85	252	-	53	28	140	118	510	47
16	140	112	160	125	106	95	280	-	58	33	160	132	582	66
20	160	125	180	140	118	106	330	-	68	33	180	150	653	95
25	180	140	202	160	132	118	360	-	74	38	200	170	724	136
32	200	160	225	180	150	132	400	-	80	38	224	190	796	187
40	224	180	252	200	170	150	447	-	93	42	250	212	893	264
50	250	200	285	224	190	170	485	-	100	42	280	236	990	430
63	280	224	320	250	212	190	550	-	108	45	315	265	1120	600
80	315	250	358	280	236	212	598	-	113	45	355	300	1270	860
100	355	280	402	315	265	236	688	-	130	50	400	335	1415	1220
125	400	315	450	355	300	265	750	-	138	50	450	375	1590	1740

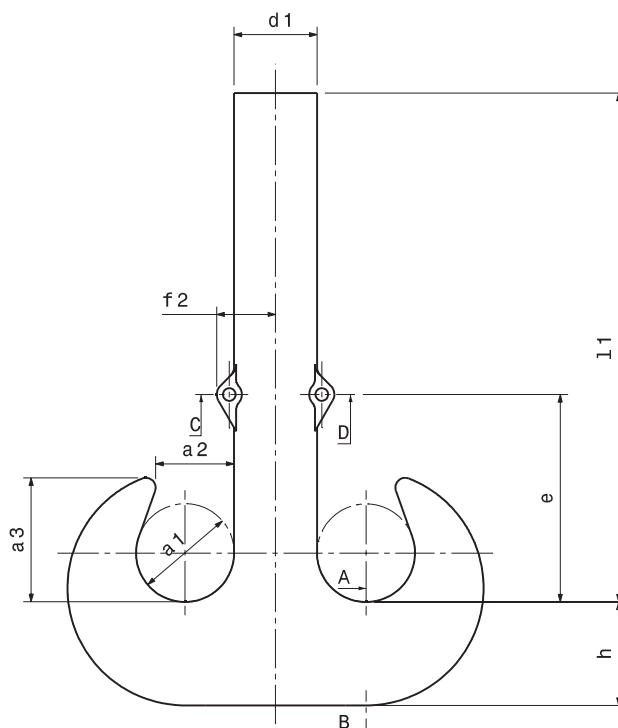
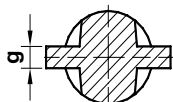
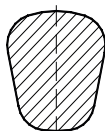
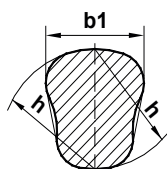
- Material: StE 355 / 34CrNiMo6, other materials stated by order
- Please agree other shank length when ordering
- Delivery conditions and inspection certificates according to DIN 15404/1



Double hooks According to DIN 15402

SECTIONAL DRAWING A-B

SECTIONAL DRAWING C-D



FORM RSN

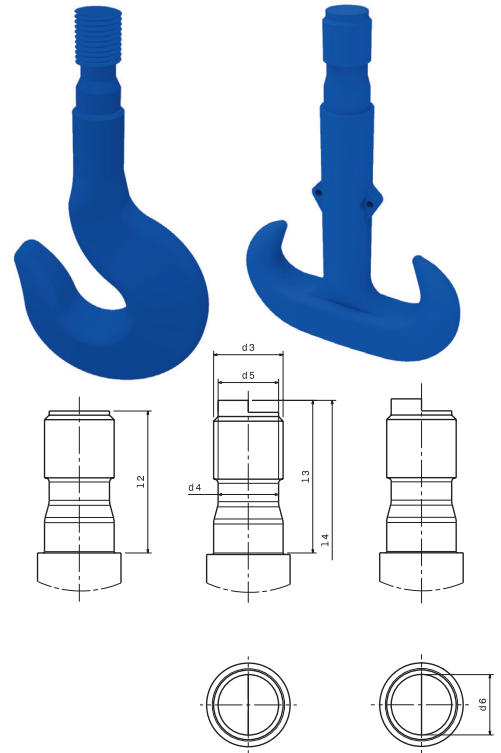
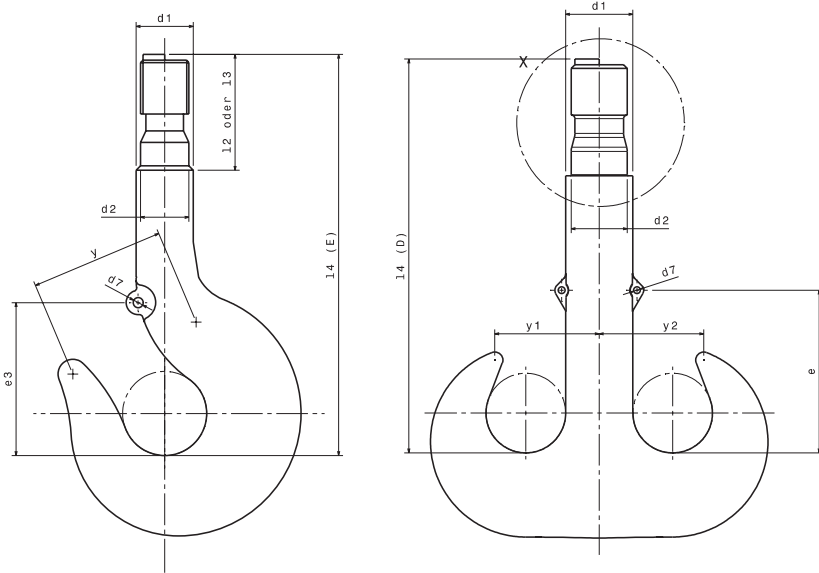
FORM RFN

HOOK NO.	DIMENSIONS (mm)										UNIT WEIGHT (KG)	
	a ₁	a ₂	a ₃	b ₁	d ₁	e	f ₂	g	h	l ₁	RSN	RFN
1,6	45	36	59	34	36	100	28	12,5	43	222	5,3	-
2,5	50	40	65	40	42	112	30	14	50	250	6,9	-
4	56	45	73	48	48	124	33	16	60	280	9,7	-
5	63	50	82	53	53	143	40	16	67	312	13,4	-
6	71	56	92	60	60	160	44	18	75	375	16,8	-
8	80	63	103	67	67	182	48	18	85	415	25,3	-
10	90	71	116	75	75	192	54	23	95	450	35,5	36,3
12	100	80	130	85	85	210	60	23	106	510	49,5	50,5
16	112	90	146	95	95	237	69	28	118	580	69,7	71,1
20	125	100	163	106	106	265	75	33	132	650	97,5	99,5
25	140	112	182	118	118	315	86	33	150	715	135	138
32	160	125	205	132	132	335	94	38	170	790	193	197
40	180	140	230	150	150	375	104	38	190	885	280	286
50	200	160	260	170	170	420	120	42	212	965	-	394
63	224	180	292	190	190	460	131	42	236	1090	-	547
80	250	200	325	212	212	515	144	45	265	1235	-	759
100	280	224	364	236	236	575	157	45	300	1375	-	1060
125	315	250	408	265	265	645	178	50	335	1550	-	1491

- Material: StE 355 / 34CrNiMo6, other materials stated by order
- Please agree other shank length when ordering
- Delivery conditions and inspection certificates according to DIN 15404/1

Single & double hooks with threaded shaft

According to DIN 15401, 15402 part 2

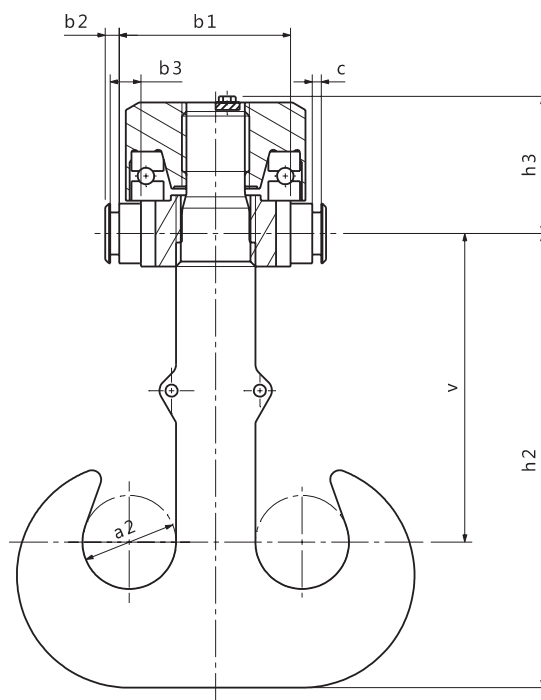
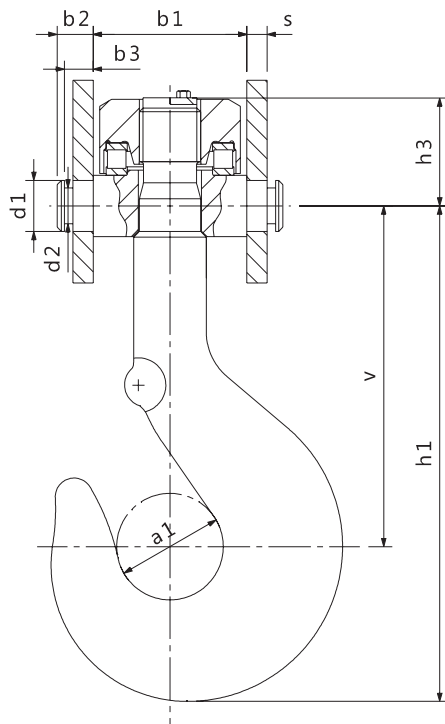


HOOK NO.	DIMENSIONS (mm)																	
	METRIC THREAD		KNUCLE THREAD			d7				l ₄								
	d ₁	d ₂	d ₃	d ₄	d ₃	d ₄	d ₅	d ₆	E	D	e	e ₃	l ₂	l ₃	E	D	y	y ₁ =y ₂
1,6	36	30	M30	24,5	-	-	-	-	6,2	6,2	100	118	68	-	221	215,5	-	-
2,5	42	36	M36	30	-	-	-	-	10,2	6,2	112	132	83	-	250	243,5	-	-
4	48	42	M42	35,5	-	-	-	-	10,2	10,2	124	148	93	-	281,5	274	-	-
5	53	45	M45	38,5	-	-	-	-	10,2	10,2	143	165	103	-	314,5	306	-	-
6	60	50	-	-	Rd 50x6	42	43,4	-	10,2	10,2	160	185	-	112	375	365,5	130	93
8	67	56	-	-	Rd 56x6	48	49,4	-	12,2	10,2	182	210	-	122	413	403	145	104,5
10	75	64	-	-	Rd 64x8	54	55,2	-	12,2	12,2	192	221	-	135	446	435	160	117,5
12	85	72	-	-	Rd 72x8	62	63,2	-	16,2	12,2	210	252	-	157	504,5	492	180	132,5
16	95	80	-	-	Rd 80x10	68	69	-	16,2	16,2	237	280	-	170	576	562	200	148,5
20	106	90	-	-	Rd 90x10	78	79	-	20,2	16,2	265	330	-	187	645	628	225	165,5
25	118	100	-	-	Rd 100x12	85	86,8	-	20,2	20,2	315	360	-	207	716	696	255	185
32	132	110	-	-	Rd 110x12	95	96,8	-	20,2	20,2	335	400	-	232	788	768	290	207
40	150	125	-	-	Rd 125x14	108	109,6	80	25,3	20,2	375	447	-	257	885	863	320	233
50	170	140	-	-	Rd 140x16	120	122,4	90	25,3	25,3	420	485	-	280	969	944	355	265
63	190	160	-	-	Rd 160x18	138	140,2	100	25,3	25,3	460	550	-	322	1100	1072	400	297
80	212	180	-	-	Rd 180x20	156	158	150	25,3	25,3	515	598	-	357	1245	1212	450	331
100	236	200	-	-	Rd 200x22	173	175,8	140	30,3	25,3	575	688	-	402	1388	1351	505	370
125	265	225	-	-	Rd 225x24	196	198,6	160	30,3	30,3	645	750	-	465	1565	1522	570	414,5

- Please agree other shank length when ordering
- Delivery conditions and inspection certificates according to DIN 15404/1

Hook suspensions

According to DIN 15411

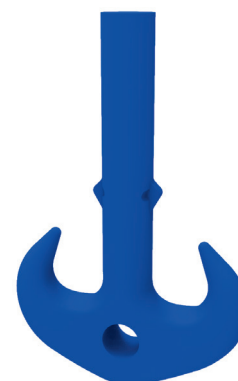
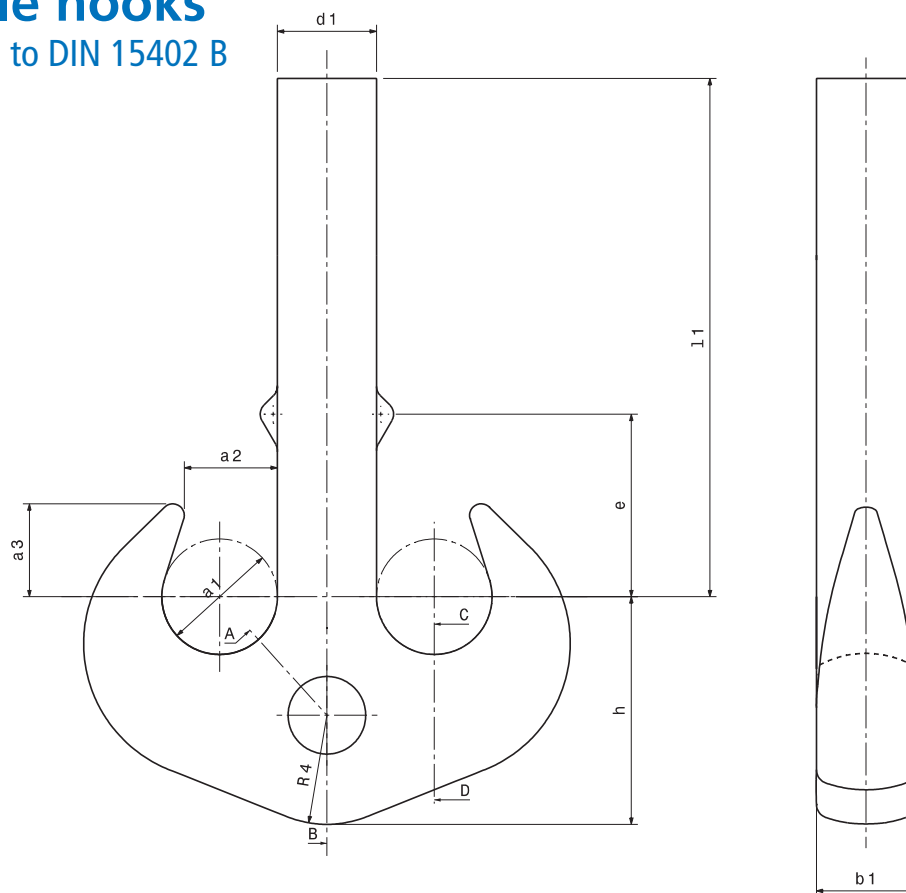


HOOK NO.	DIMENSIONS (mm)													ROLLER BEARINGS (Deep groove ball bearing)		UNIT WEIGHT (kg)	
	a ₁	a ₂	b ₁	b ₂	b ₃	c	d ₁	d ₂	h ₁	h ₂	h ₃	s	v _{ca}	Typ	E	D	
6	90	71	125	30	24	10	45	32	370	350	95	15	240	51214	27	27	
8	100	80	140	35	29		50	36	410	390	104	20	265	51216	37	39	
10	112	90	160				55	40	442	420	116		280	51218	54	55	
12	125	100	180	42,5	34	12	60	42	495	471	133	25	315	51220	76	78	
16	140	112	190				70	50	572	544	143		370	51222	100	104	
20	160	125	200	47,5	41		80	56	645	610	157	30	415	51224	137	139	
25	180	140	220	49		90	64	720	680	173	460		51226	192	191		
32	200	160	260	59	51	14	100	72	790	750	195	40	500	51232	273	280	
40	224	180	285	65	58		110	80	889	845	215		45	565	51236	385	395
50	250	200	335				125	92	981	932	232	620		51244	613	571	
63	280	224	380	71	63	14	140	104	1105	1048	267	50	700	51248	866	805	
80	315	250	420	72,5			160	120	1258	1190	294		800	51256	1222	1112	

- The stated weights refer to hook assemblies of material characteristic:
Hook: 34CrNiMo6
Crosshead: 34CrNiMo6
Hook nut: 34CrNiMo6
- Delivery conditions and inspection certificates according to DIN 15401/1
- Rotating look on request

Double hooks

According to DIN 15402 B

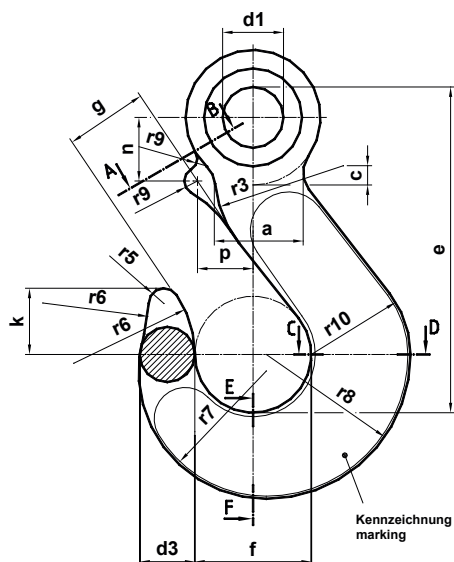


HOOK NO.	DIMENSIONS (mm)												UNIT WEIGHT (kg)
	a ₁	a ₂	a ₃	b ₁	d ₁	d ₂	e	f ₂	h	l ₁	r ₄	r ₅	
10	90	71	116	75	75	74	192	54	130	450	85	95	41
12	100	80	130	85	85	78	210	60	150	510	95	106	57
16	112	90	146	95	95	86	237	69	170	580	106	118	82
20	125	100	163	106	106	96	265	75	190	650	118	132	115
25	140	112	182	118	118	106	315	86	212	715	132	150	160
32	160	125	205	132	132	116	335	94	236	790	150	170	229
40	180	140	230	150	150	131	375	104	265	885	170	190	330
50	200	160	260	170	170	146	420	120	300	965	190	212	458
63	224	180	292	190	190	168	460	131	335	1090	212	236	638
80	250	200	325	212	212	188	515	144	375	1235	236	265	892
100	280	224	364	236	236	208	575	157	425	1375	265	300	1248
125	315	250	408	265	265	235	645	178	475	1550	300	335	1757
160	355	280	458	300	300	260	725	198	530	1745	335	375	2500
200	400	315	515	335	335	282	800	218	600	1960	375	425	3560
250	450	355	580	375	375	312	875	240	670	2210	425	475	5033

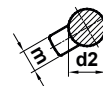
- Material: StE 355 / 34CrNiMo6, other materials stated by order
- Please agree other shank length when ordering
- Delivery conditions and inspection certificates according to DIN 15404/1

Eye hooks

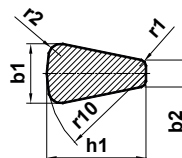
According to DIN 689 / 7540



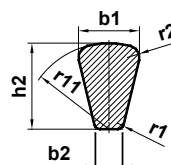
Schnitt - section A - B



Schnitt - section C - D



Schnitt - section E - F

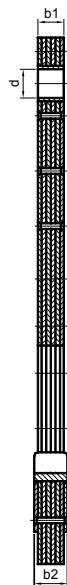
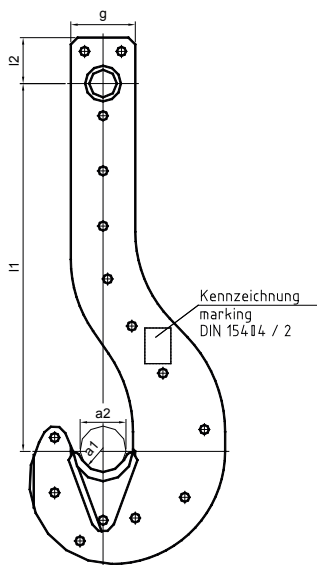


Hook	Load Capacity	Dimensions (mm)																		Unit Weight (kg)		
		a	b1	b2	d1	d2	d3	e	f	g	h1/r10	h2/r11	k	m	n	p	r3	r5	r7		r8	r9
19	800	15	13	5,5	12	7,5	11	64	23	18	19,5	17	13	6,5	13,5	13,5	22	3	25	28,5	4,5	0,2
21	1.250	20	17	7	16	10	14,5	85	31	24	26	22,5	17,5	9	17	17	30	4	33,5	38	5	0,4
23	2.000	27	23,5	10	20	13,5	20	116	42	33	36	31	24	9	23	20	41	5,5	46	52,5	6	0,8
25	3.200	32	28	11,5	26	16	23,5	138	50	39	42,5	36,5	28,5	11	27	24	48	6,5	54,5	62	7	1,4
27	8.000	40	35	14,5	32	20	29,5	174	62	49	53,5	46	36	12	35	32	60	8	68,5	77,5	9	2,6
28	10.000	45	40	16,5	35	22,5	33	190	70	54	60	52	36	14	39	35	68	9,5	76,5	86	9	3,9
29	12.500	50	44,5	18,5	40	25	37	219	79	62	67,5	58	45	16	44	38	76	10,5	86,5	98	10	5,7
30	16.000	56	49,5	20,5	46	28	41,5	246	88	69	75	65	50	17	48	42	85	11,5	96,5	109	10	8
31	20.000	64	56	23	52	31,5	46,5	277	99	78	84,5	73	57	18	54,5	48	96	13	109	123	11	11,5
32	25.000	72	63	26	60	31,5	52,5	313	112	88	96	82,5	64	18	61	52	108	14,5	123	139	12	16
33	32.000	80	70	29	66	40	58,5	349	125	98	106	92	72	19	66,5	58	121	16,5	137	155	14	22
34	40.000	89	78	33	72	44,5	65,5	388	140	109	118	103	80	20	73,5	65	135	18	153	173	16	31,5
35	50.000	100	89	37	84	50,5	74	442	158	124	135	116	90	23	85,5	74	152	20,5	173	196	18	46
36	63.000	113	99	41	90	56	83	494	176	138	151	130	101	25	92	81	170	23	193	219	20	63
37	80.000	126	110	46	102	63	93	610	198	155	168	145	113	30	103	90	191	26	216	245	22	80
38	100.000	140	125	50	116	74	120	650	225	175	195	172	133	38	118	100	220	30	256,5	285,5	25	125
39	150.000	160	140	55	130	86	140	765	250	200	225	199	160	38	142	112	250	33	292	325	30	250
40	200.000	180	160	62	150	102	161	850	275	225	260	237	195	45	170	125	275	38	340	375	36	365
41	250.000	200	180	75	170	120	195	928	310	255	290	269	210	45	200	140	310	44	375	425	38	515
42	300.000	225	200	95	190	140	223	1052	350	290	330	309,5	240	45	250	160	350	50	425	485	38	730
43	400.000	280	240	128	210	170	240	1195	400	320	380	345	270	45	300	180	400	58	475	545	38	1055

- Material (No. 19-25): 21MnSi5 according to DIN 7540; No. 27-36: 34CrNiMo6V according to DIN 7540
- Load capacity at hook temperature: -40° C - 200° C = 100 %, 200° C - 300° C = 75%, 300° C - 400° C = 75%
- According to NO 19051 eye hooks must not be used at temperatures below -40° C and over 400° C. After forging, eye hooks reach the following mechanical properties by quenching and tempering: tensile strength min. 800N/mm², notch toughness min. 50 J/cm².
- Delivery conditions and inspection certificates according to DIN 15404/1

Laminated hooks

According to DIN 15407



LOAD CAPACITY (t)	DIMENSIONS (mm)									NO. OF PLATES	UNIT WEIGHT (kg)
	a1	a2	b1	b2	d	g	l1	l2	s		
16	110	130	64	96	100	220	1000	170	16	4	275
20		145									270
25	130	160	80	112	125	280	1120	200	16	5	350
32		180	64	96						4	395
40	150	200	112	144	160	340	1250	250	20	7	690
50		80	112	4						675	
63	170	225	100	132	180	380	1400	300	25	5	860
80		125	157	7						1180	
100	205	250	150	182	225	460	1600	350	25	6	600
125		175	207	7						705	
160	250	280	200	232	250	550	1800	470	35	8	2195
200		320	250	282						10	3131
250	300	360	225	265	290	620	2000	470	35	9	3820
320		400	315	365						11	4635
		500	315	355						13	5450
			385	425						9	6700
										11	8250

- Plates: P355N; Mouth saddles: S355JO; Bushes: C45
- Please agree other dimensions when ordering
- Delivery conditions and inspection certificates according to DIN 15404/1



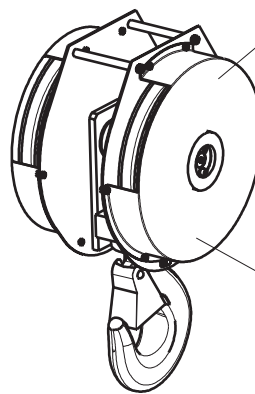
Bottom blocks

According to DIN 15408
with 2 / 4 rope sheaves

Options: Safety latch with sprig or with dead weight

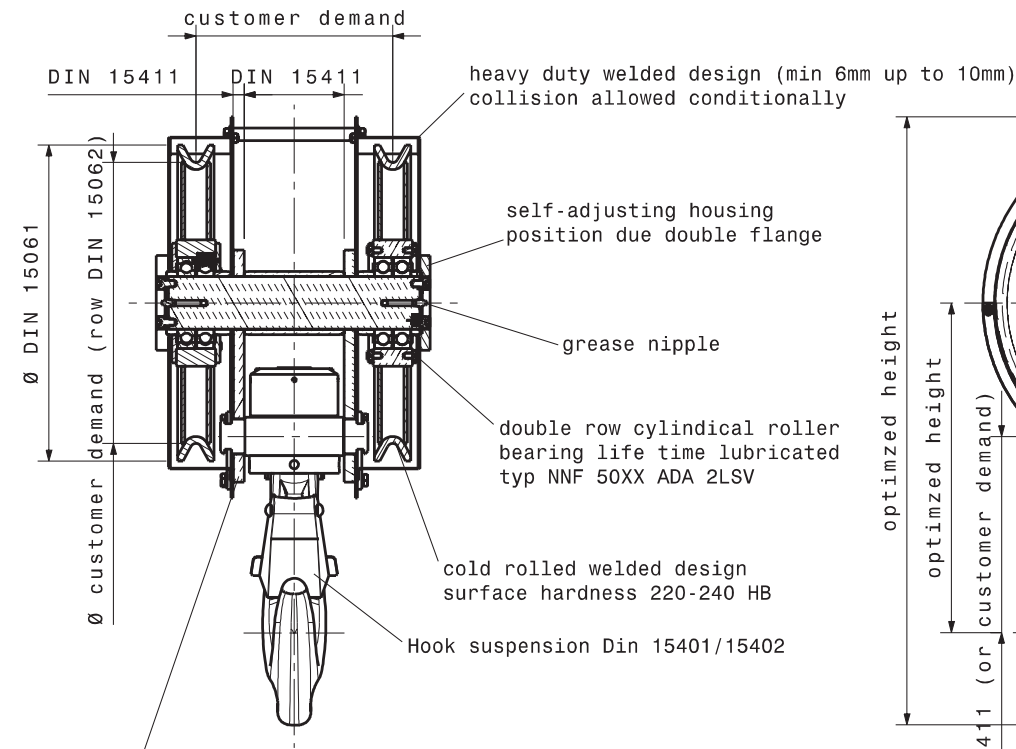
For customised applications with special dimensions or further, special options for the bottom blocks please ask our sales team.

Customised solutions according to your specifications!

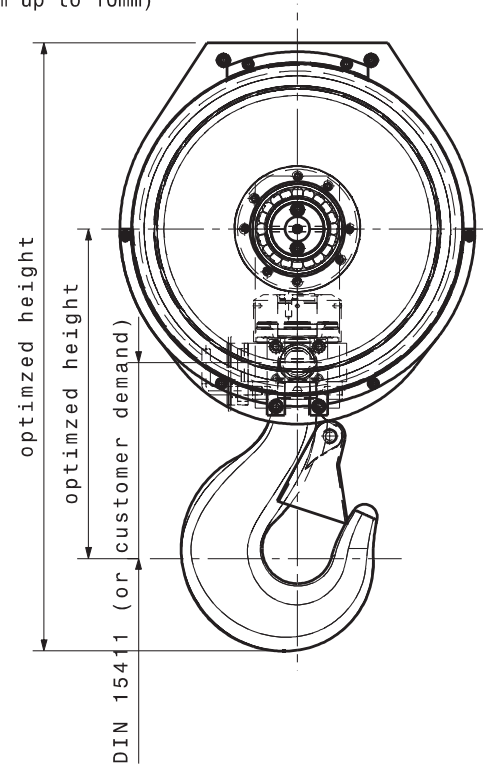


reinforced rope collision protection

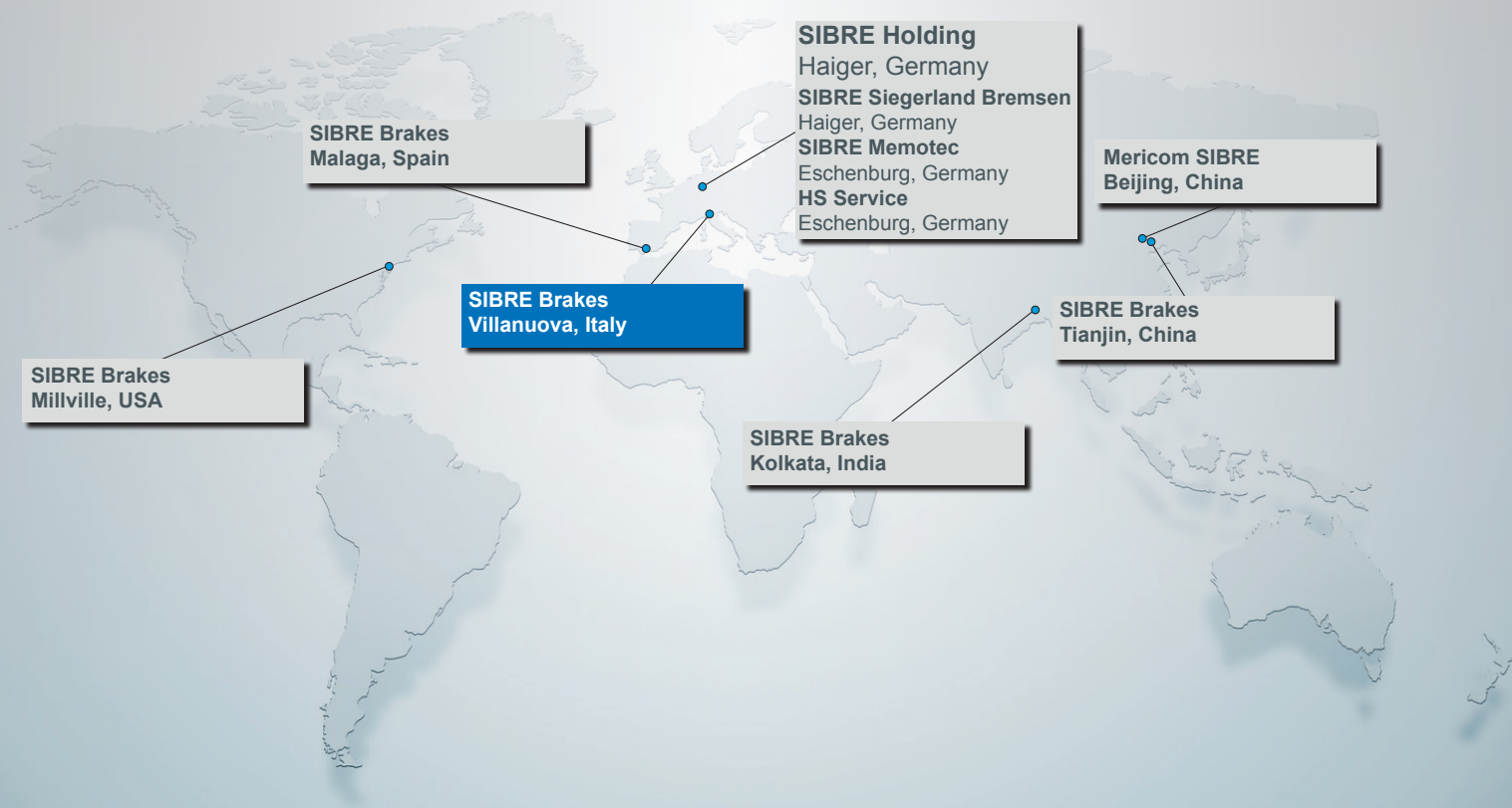
protection housing can be remove without reeving the rope!
rope sheaves remains protected against fall off.
rope sheaves can be change without reeving the rope!



solid supporting plates in acc. with DIN 15411
Material S355J2+N



For detailed information please contact our sales team!



SIBRE Italia s.r.l.

Via Fibbia 1 • I-25080 Villanuova sul Clisi Bs
phone +39 0365 63699 • fax +39 0365 556062
mail info@sibre.it • home www.sibre.it



Siegerland Bremsen