

Optional Parts

Mounting Pole

φ50 (φ40)

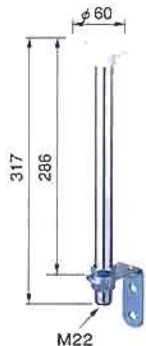
SZ-60L SZ-60T
SZ-80L



Include SZ-012 () :SZ-80L
Include SZ-011

φ60

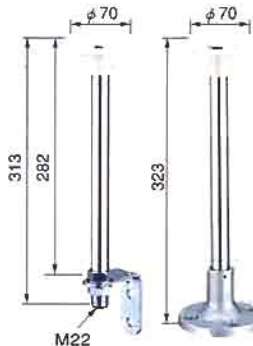
SZ-70L



Include SZ-013

φ70

SZ-50L SZ-50T



Include SZ-013 Include SZ-010

φ81

SZ-30L SZ-30T



Include SZ-013 Include SZ-010

Model	Material					For
	Upper bracket	Pole	L Bracket	Cord bushing	Circular	
SZ-80L	ABS resin	Carbon steel pipe	SPHC	6/6 nylon	—	LCE-W
SZ-60L	ADC12		SPHC	6/6 nylon	—	LE-W
SZ-60T	—		—	ADC12	—	LES-AW
SZ-70L	ABS resin	—	SPHC	EPT	—	LME-W

Model	Material					For
	Upper bracket	Pole	L Bracket	Cord bushing	Circular	
SZ-50L	ADC12	Carbon steel pipe	SPHC	EPT	—	LHE-A
SZ-50T			—	—	ADC12	
SZ-30L	ABS resin		SPHC	EPT	—	RLE,RU RH,PS PES,SKH
SZ-30T	—	—	—	—	ADC12	

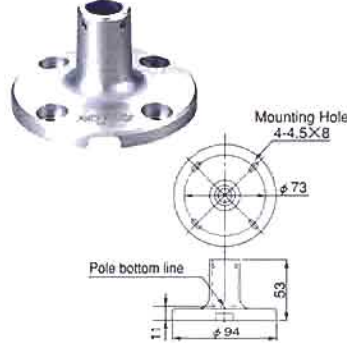
ADC12...Aluminum alloy die-cast SPHC...Hot rolled mild (sheet) steel EPT...Ethylene propylene rubber

Mounting Bracket

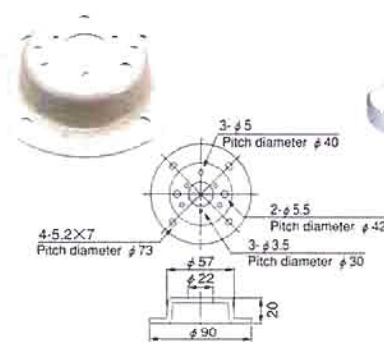
SZ-010
(For φ21.7mm pole)



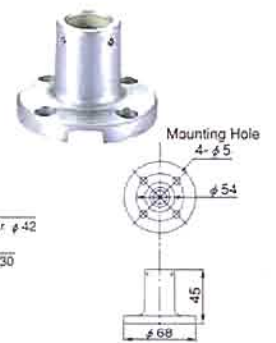
SZ-011
(For φ17.3mm pole)



SZ-014



SZ-016 (For φ21.7mm pole)



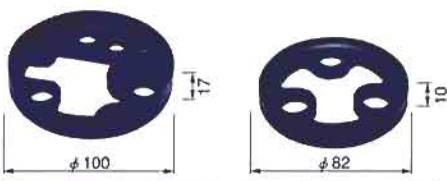
Model	Material	For
SZ-010	Aluminum alloy die-cast	STD, STE, RUP, LME, LMS, LHE
SZ-011		LCE, LCS, LE, LES-A

Model	Material	For
SZ-014	Cold rolled mild steel	LE, LES-A
SZ-016	Aluminum alloy die-cast	STD, STE, RUP, LME, LMS, LHE

Rubber Gasket

SZ-200A

SZ-210



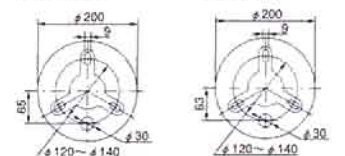
Model	Material	For
SZ-200A	Ethylene propylene rubber	KX,RH(B)
SZ-210		RU,RLE, PS(F), PSX,PES

Tripod stand



SZ-009

SZ-019

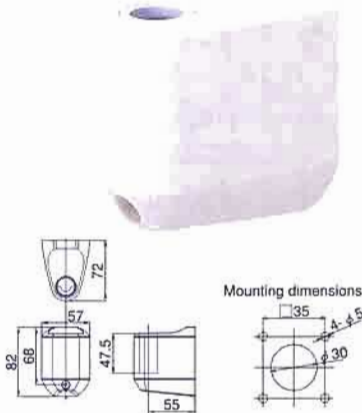


Model	For	Height
SZ-009	Pitch diameter	1,285~2,285mm
SZ-019	φ120~φ140	1,010~1,790mm

Wall mounting bracket

SZ-020 (For $\phi 21.7$ mm pole)
 SZ-021 (For $\phi 17.3$ mm pole)

- Bracket is detachable from machinery by loosening a screw and taking off the connectors.
- Bracket can be removed or installed upside-down during transportation.
- Wiring should not be exposed.

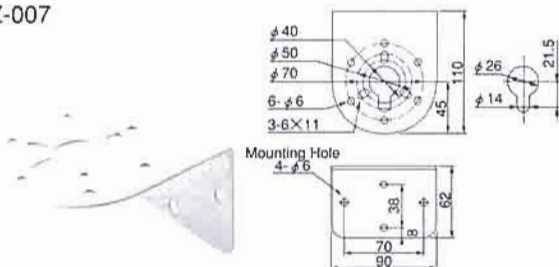


Wire connector (SZ-020-001)
 sold separately

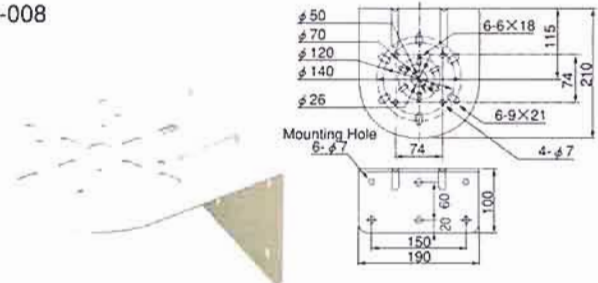
How to install



SZ-007

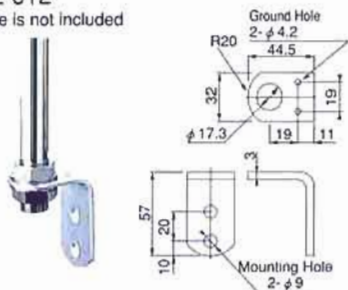


SZ-008



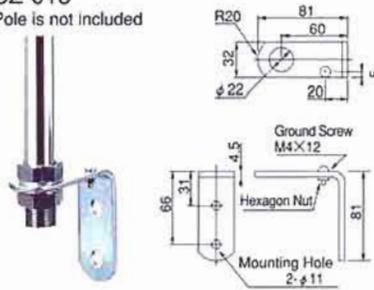
SZ-012

Pole is not included



SZ-013

Pole is not included



SZ-017

(For $\phi 21.7$ mm pole)



Model	Material	For
SZ-020 SZ-021	ABS resin	LME, LMS, RUP, STD, STE LCE, LCS, LE, LES
SZ-007	Electro-galvanizing steel	LHE Pitch diameter $\phi 50, 70$
SZ-008		Pitch diameter $\phi 50, 70, 120, 140$ and $\square 74$

Model	Material	For
SZ-012	Hot rolled mild steel	LCE, LCS, LE, LES
SZ-013		LHE, STP, ME
SZ-017	Aluminum alloy die-cast	STD, STE, RUP, LHE

Sound Type Selection Chart

PATLITE



EB-K EWS-K EW-K

Alarm

Comes with 8 alarm sounds.

A type	
1	Beep (slow intermittent horn)
2	Stutter (rapid intermittent horn)
3	Bell (clear highpitched bell)
4	Yelp (rapid siren)
5	Rapid Hi-Lo
6	Melody Chime
7	Synthesized Piano
8	Synthesized Bell



EB-L EWS-L EW-L

Chime

Comes with 6 melodies and 2 chimes.

Ch	TYPE OF SOUND		
	S type	F type	Q type
1	Amaryllis	For Elise	Merry had a little Lamb
2	Symphony No.40	Maiden's Prayer	The camptown Races
3	Silent Lakeside	Minuet	Cuckoo
4	Mountain musician	Annie Laurie	Blacksmith in the village
5	Romance De Amour	London bridge is falling down	On the Avignon bridge
6	Petrouchka	Holdiridia	Ob-La-Di,Ob-La-Da
7		Chime	
8		Call sign	



EMB EWS-M EW-M

Melody

Comes with 8 melodies.

Ch	TYPE OF SOUND		
	G type	H type	P type
1	Runner	Happy birthday	She wore a yellow ribbon
2	I want to take care of you	Mickey mouse club march	My darling clementine
3	Oribia wo kikinagara	It's a small world	The yellow rose of Texas
4	September	Forest bear	Yankee doodle
5	Saturday lovers	Cha cha cha toy	When the saints go marchin' in
6	Autumn	is there a kid like this?	Londonderry air
7	Surf heaven,Ski heaven	Lullaby (Schubert)	Havah nagilah
8	Color/White blend	Rudolph the red-nosed reindeer	JAMAICA FAREWELL



ESB

Alarm

Comes with 1 alarm sound.

A type	
	Stutter



ETB

Alarm

Comes with 4 alarm sounds.

B type	
1	Stutter
2	Chime
3	Beep
4	Yelp



RT-VS RKPV KJPV

Voice Synthesizer

Comes with Max.16sec/4 messages.



RT-K RKT-K KJT-K

Alarm

Comes with 8 alarm sounds.

A type	
1	Beep (slow intermittent horn)
2	Stutter (rapid intermittent horn)
3	Bell (clear highpitched bell)
4	Yelp (rapid siren)
5	Rapid Hi-Lo
6	Melody Chime
7	Synthesized Piano
8	Synthesized Bell



RT-L RKT-L KJT-L

Chime

Comes with 6 melodies and 2 chimes.

Ch	TYPE OF SOUND		
	S type	F type	Q type
1	Amaryllis	For Elise	Merry had a little Lamb
2	Symphony No.40	Maiden's Prayer	The camptown Races
3	Silent Lakeside	Minuet	Cuckoo
4	Mountain musician	Annie Laurie	Blacksmith in the village
5	Romance De Amour	London bridge is falling down	On the Avignon bridge
6	Petrouchka	Holdiridia	Ob-La-Di,Ob-La-Da
7		Chime	
8		Call sign	

Index of ingress protection defined by CEI/IEC 529

IP

First digit: Protection level against human body and solid foreign objects

Code No.

Second digit: Protection level against water intrusion

Non protected.

0

Non protected.

Protected against solid objects larger than ø50mm.

1

Protected against vertical falling drops of water.

Protected against solid objects larger than ø12mm.

2

Protected against dripping water when tilted up to 15°

Protected against solid objects larger than ø2.5mm.

3

Protected against spraying water.

Protected against solid objects larger than ø1mm.

4

Protected against splashing water.

Protected against dust-limited ingress. (dust-protected)

5

Protected against water jets.

Total protection against dust. (dust-tight)

6

Protected against heavy seas.

7

Protected against the effects of immersion.

8

Protected against submersion.

PATLITE is the No. 1 for signaling Technology.

Combining innovative LED technology and advanced optical design, the PATLITE Signaling products deliver the highest level of illumination and reliability with IP65*-rated protection. Featuring a broad selection of models, sizes, design and optional accessories, you can find the best solution for specific requirements. PATLITE quality standard guarantees long-term customer satisfaction in diversified applications. There is no better choice for signaling products than PATLITE for now and future. PATLITE, is No. 1 in the world for signaling solution.

● Outstanding Illumination

PATLITE high intensity LED and innovative cut lens ensure outstanding illumination and exceptional brightness from any direction and distance.



● Patented Reflection System

PATLITE patented reflection system optimizes a full scope of illumination over the entire lens.

● Low Power Consumption

PATLITE high intensity LED are 8 times more efficient than conventional incandescent bulbs.

PATLITE LED

 15kW/year

Incandescent bulb

 130kW/year

Note: For one LED module and one bulb with continuous operation

● Long-service Life and Reliability

PATLITE high intensity LED promise an extended long-service life of 100,000 hours, that is over 11 years with continuous operation.

PATLITE LED

 over 11 years

Incandescent bulb

 less than 1 year

Note: Both with continuous operation

● Reduced Maintenance and Labor Saving

PATLITE high intensity LED drastically reduce costly maintenance requirements for replacing bulbs. The life of PATLITE high intensity LEDs' is over 16 times longer than conventional incandescent bulbs.



=



PATLITE LED

Incandescent bulbs replacement

● Responds to the environment

PATLITE high intensity LEDs' are environment-friendly minimizing the waste of used bulbs associated with conventional incandescent bulbs.



PATLITE ECO PROJECT

● Rugged and Robust Design

PATLITE design with a center shaft in its signal tower ensures the structural integrity of the modules, promising protection and safety against vibration and mis-handling. Yet, it offers modularity and flexibility for changing the LED modules. The smooth-finished body surface prevents collection and adhesion of dust, making our products easy to clean. PATLITE signaling products are constructed using the world-class quality materials to withstand harsh production environments.



Note: ※Some models are not IP 65-rated.



Light



High intensity LED with 100,000 hours service life and low electricity consumption.



Xenon bulb provides high visibility.



Small, bright, and long-life halogen bulb.



Economical. Readily available in market.

Sound



Message conveyed audibly.



Alarms, chimes and melodies announce gently, but easy to hear. The number of the sound differs with models.



Alarm sound: Easy to recognize and gentle to ears.

Proofs'



Sealed housing keeps rain or other water out. Suitable for outdoor use.



Provides imperviousness even to a direct water jet.

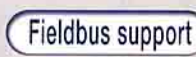


Highly sealed design keeps dust and dirt out. Suitable for outside use.



Meets the explosion-proof standard, d2G4. (Equivalent to Exd IIBT4 of IEC)

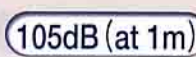
Symbols Used in this Catalog



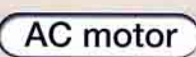
Signal towers supporting As-i or DeviceNet make your system networked and automated.



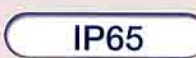
The special absorption rubber, which is located between body and mounting surface to cut out vibration.



Max sound pressure level will be changed by the contents of record in case of Voice Synthesizer or Signal Phones, the max. sound pressure level varies.



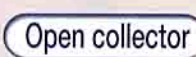
Long-lasting brushless motor provides stable rotation.



Classification of dust-proof, jet flow-proof. Refer to the list in page 90 for details.



The symmetrical dual-face reflectors emit powerful flashing light.



Open collector allows direct connection to a PLC without any contact.



CAUTION

Specifications are subject to change without notice. Please carefully read instruction manuals for proper and safe operation.