

LME

Ivory white Body
AC100/220V Type

Ivory white Body
AC/DC24V Type
(-W Type)

Silver Body



A full range of signal towers for every need, featuring an versatile and energy-efficient LED.

- The combination of vertical and horizontal cuttings at lenses and double reflection system enhances LED light diffusion to create a full and brilliant color signal light.
- The lenses are made of AS resin. The main body is made of ABS resin.
- FB type offers 2 different integral alarms with sound pressure level 90dB(at 1m)
- The system is CE compliant.
- NPN and PNP open collector transistors are compatible.(24V type)
AC100/220V are compatible with NPN open collector transistor only.
- Direct mount or pole mount are possible.
- Silver-color body type with 3m sleeved cable option : LME-U (only 24V)





※FB/L/K type:IP54



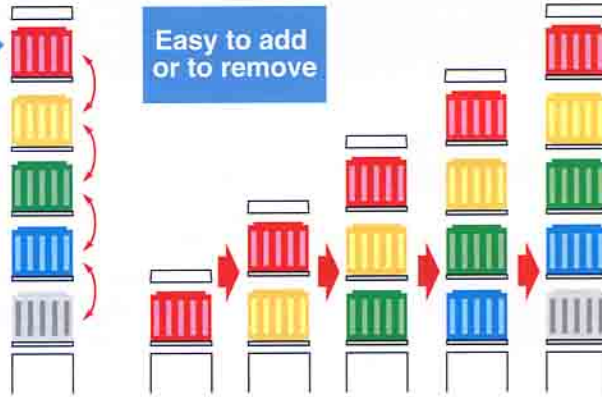
Easy to change LED color modules within a signal tower.

L.E.D. modules are interchangeable

- Changing the color sequence does not require re-wiring.
- Note: With the same LED color modules within a signal tower, they light up simultaneously.

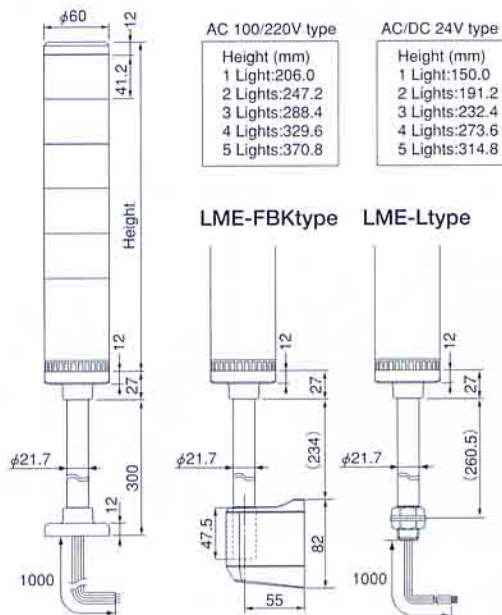
The wiring remains same.

The color of the L.E.D. module will always correspond to the color of the wire.

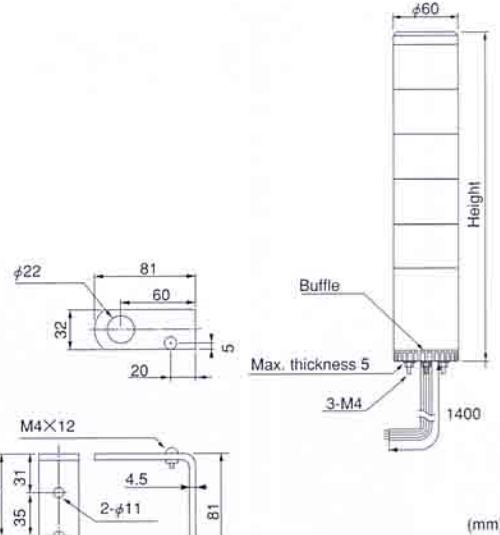


Dimensions

LME type



LME-W type



LME type

Number of stacks	Model	Rated Voltage	Power Consumption	Mass			
				LME	LME-FBK	LME-L	LME-W
1Light	-102	AC/DC 24V	2.2W	0.42kg	0.55kg	0.77kg	0.28kg
	-110	AC 100V	5.1W	0.66kg	—	1.01kg	0.52kg
	-120	AC 220V				—	
2Lights	-202	AC/DC 24V	3.4W	0.48kg	0.60kg	0.82kg	0.34kg
	-210	AC 100V	7.1W	0.72kg	—	1.06kg	0.58kg
	-220	AC 220V				—	
3Lights	-302	AC/DC 24V	3.8W	0.54kg	0.65kg	0.87kg	0.40kg
	-310	AC 100V	7.9W	0.78kg	—	1.11kg	0.64kg
	-320	AC 220V				—	
4Lights	-402	AC/DC 24V	4.2W	0.60kg	—	—	0.46kg
	-410	AC 100V	8.7W	0.84kg	—	—	0.70kg
	-420	AC 220V					
5Lights	-502	AC/DC 24V	4.6W	0.66kg	—	—	0.52kg
	-510	AC 100V	9.5W	0.90kg	—	—	0.76kg
	-520	AC 220V					

FB type: approx. 60 flashes per minute.

How to order

LME-502UFBW-RAGBC

Stack	Color
1~5	R:Red A:Amber G:Green B:Blue C:Clear Top to bottom
Rated Voltage	
02:AC/DC24V	
10:AC100V	
20:AC220V	
Body color	
Nothing:Ivory white	
U:Silver	
Type	
Nothing:Continuous light	
FB:Continuous or flashing light with audible alarm	
Mount	
Nothing:	
Pole Mount	
K:Pole Mount(with SZ-020)	
L:Pole Mount(with SZ-013)	
W:Direct Mount	