

# T.A. DI PROTEZIONE RESINATO A CAVO PASSANTE Ø50

## Resin encapsulated Ø50 cable passing protection CTs

# TAT050



**NEW!**

**EAC**



**Kz - Kazakhstan**

**INPUT:** 100A... 1000A

**5A**

**OUTPUT:**

**1A**

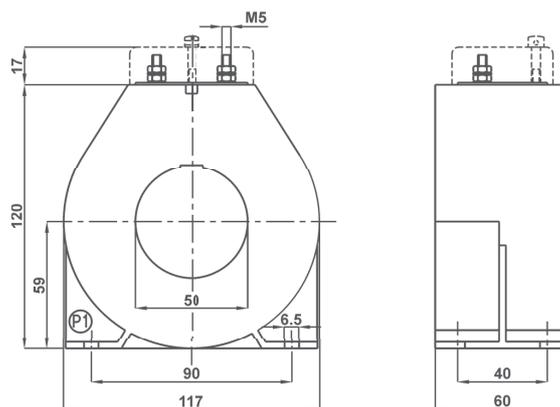
### DATI TECNICI - Technical data

custodia in materiale termoplastico autoestinguente	self extinguishing thermoplastic material	UL94-V0
frequenza funzionamento	operating frequency	50÷60 Hz
tensione di riferimento per l'isolamento	insulation reference voltage	0,72 kV
tensione di prova	test voltage	3 kV x 1'50 Hz
isolamento	insulation	classe E
grado di protezione	protection degree	IP 00
grado di protezione con coprimorsetti	protection degree with terminal covers	IP 20
sovracorrente permanente	continuous overcurrent	1,2 In
corrente termica di breve durata nominale (I th)	rated short-time thermal current (I th)	80 In
corrente dinamica nominale (I dyn)	rated dynamic current (I dyn)	2,5 x I th
max. potenza dissipata (portata max.)	max. power dissipation (max range value)	≤ 15W
temperatura di funzionamento	operating temperature	-25 +50 °C
temperatura di magazzino	storage temperature	-40 +80 °C
costruzione a norme	manufactured according to	IEC/EN 61869-1 IEC/EN 61869-2

### TIPO - Type

### DIMENSIONI - Dimensions

Rapporto Ratio	Codice - Code							
	VA	CI. 5P5	VA	CI. 5P10	VA	CI. 5P15	VA	CI. 5P20
100/5A	5	TAT050100K05	2	TAT050100L05	1	TAT050100M05	1	TAT050100N05
150/5A	5	TAT050150K05	3.5	TAT050150L05	1.5	TAT050150M05	1.5	TAT050150N05
200/5A	7	TAT050200K05	5	TAT050200L05	2.5	TAT050200M05	2	TAT050200N05
250/5A	8	TAT050250K05	6	TAT050250L05	3	TAT050250M05	2.5	TAT050250N05
300/5A	8.5	TAT050300K05	7	TAT050300L05	3.5	TAT050300M05	3	TAT050300N05
400/5A	10	TAT050400K05	7	TAT050400L05	4	TAT050400M05	3.5	TAT050400N05
500/5A	10	TAT050500K05	9	TAT050500L05	5	TAT050500M05	3.5	TAT050500N05
600/5A	12.5	TAT050600K05	10	TAT050600L05	6	TAT050600M05	2.5	TAT050600N05
800/5A	12.5	TAT050800K05	10	TAT050800L05	7	TAT050800M05	3	TAT050800N05
1000/5A	15	TAT0501K0K05	10	TAT0501K0L05	8	TAT0501K0M05	3.5	TAT0501K0N05



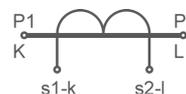
kg 1,10 ...2,15

Sono disponibili i trasformatori con secondario 1A e pari prestazioni, i codici di ordinazione sono come in tabella ma con ultima cifra 1

CTs at 1A secondary current are also available. The burdens are the same as 5A CTs. The ordering codes are the same as those in the above table but the last figure shall be 1 instead of 5.

#### Esempio / Example

TA.....05 (secondario/secondary 5A) TA.....01 (secondario/secondary 1A)



Segnaletica morsetti primario e secondario  
Primary and secondary connections marking

### NOTE - Note

#### OPZIONI - OPTIONS

- Coprimorsetti cod. **9SBMCTA50**
- Coprimorsetti sigillabile cod. **9SBMCTA50S**
- Terminals cover cod. **9SBMCTA50**
- Sealable terminals cover cod. **9SBMCTA50S**

