

VARISPEED E7 IP54

Robust Metal IP54 Inverter

Model: CIMR-E7Z IP54

400V Class 3-phase 7.5 to 55 kW

QUICK START GUIDE



E7Z Quick Start Guide

Table of Contents

Warnings	EN-2
◆ Safety Precautions and Instructions	EN-3
◆ EMC Compatibility	EN-4
Installation	EN-5
◆ Mechanical Installation	EN-5
◆ Electrical Connection	EN-7
◆ Main Circuit Terminals	EN-8
◆ Wiring Main Circuit Inputs	EN-11
Keypad Operation	EN-16
◆ Digital Operator Display	EN-16
Power Up and Basic Parameter Setup	EN-17
◆ Start Up Procedure	EN-17
◆ Before Power Up	EN-18
◆ Display after Power Up	EN-18
◆ Autotuning for Line-to-Line Resistance	EN-18
User Parameters	EN-19
Troubleshooting	EN-23
◆ Operator Programming Errors	EN-24
◆ Autotuning Faults	EN-25

Warnings



CAUTION

Cables must not be connected or disconnected, nor signal tests carried out, while the power is switched on.

The Varispeed E7 DC bus capacitor remains charged even after the power has been switched off. To avoid an electric shock hazard, disconnect the frequency inverter from the mains before carrying out maintenance. Then wait for at least 5 minutes after all LEDs have gone out.

Do not perform a withstand voltage test on any part of the Varispeed. The frequency inverter contains semiconductors, which are not designed for such high voltages.

Do not remove the digital operator while the mains supply is switched on. The printed circuit board must also not be touched while the inverter is connected to the power.

Never connect general LC/RC interference suppression filters, capacitors or overvoltage protection devices to the inverter input or output.

To avoid unnecessary overcurrent faults, etc. being displayed, the signaling contacts of any contactor or switch fitted between inverter and motor must be integrated into the inverter control logic (e.g. baseblock).

This is absolutely imperative!

This manual must be read thoroughly before connecting and operating the inverter. All safety precautions and instructions for use must be followed.

The inverter may must be operated with the appropriate line filters, following the installation instructions in this manual and with all covers closed and terminals covered. Only then will adequate protection be provided. Please do not connect or operate any equipment with visible damage or missing parts. The operating company is responsible for any injuries or equipment damage resulting from failure to heed the warnings in this manual.

◆ Safety Precautions and Instructions

■ General

Please read these safety precautions and instructions for use thoroughly before installing and operating this inverter. Also read all of the warning signs on the inverter and ensure they are never damaged or removed.

Live and hot inverter components may be accessible during operation. Removal of housing components, the digital operator or terminal covers or opening the inverter door runs the risk of serious injuries or damage in the event of incorrect installation or operation. The fact that frequency inverters control rotating mechanical machine components can give rise to other dangers.

The instructions in this manual must be followed. Installation, operation and maintenance may only be carried out by qualified personnel. For the purposes of the safety precautions, qualified personnel are defined as individuals who are familiar with the installation, starting, operation and maintenance of frequency inverters and have the proper qualifications for this work. Safe operation of these units is only possible if they are used properly for their intended purpose.

The DC bus capacitors can remain live for about 5 minutes after the inverter is disconnected from the power. It is therefore necessary to wait for this time before opening its covers. All of the main circuit terminals may still carry dangerous voltages.

Children and other unauthorized persons must not be allowed access to these inverters.

Keep these Safety Precautions and Instructions for Use readily accessible and supply them to all persons with any form of access to the inverters.

■ Intended Use

Frequency inverters are intended for installation in electrical systems or machinery.

Their installation in machinery and systems must conform to the following product standards of the Low Voltage Directive:

EN 50178, 1997-10, Equipping of Power Systems with Electronic Devices

EN 60204-1, 1997-12 Machine Safety and Equipping with Electrical Devices

Part 1: General Requirements (IEC 60204-1:1997)/

Please note: Includes Corrigendum of September 1998

EN 61010-1, A2, 1995 Safety Requirements for Information Technology Equipment

(IEC 950, 1991 + A1, 1992 + A2, 1993 + A3, 1995 + A4, 1996, modified)

CE marking is carried out to EN 50178, using the line filters specified in this manual and following the appropriate installation instructions.

■ Transportation and storage

The instructions for transportation, storage and proper handling must be followed in accordance with the technical data.

■ Installation

Install and cool the inverters as specified in the documentation. The cooling air must flow in the specified direction. The inverter may therefore only be operated in the specified position (e.g. upright). Maintain the specified clearances. Protect the inverters against impermissible loads. Components must not be bent nor insulation clearances changed. To avoid damage being caused by static electricity, do not touch any electronic components or contacts.

■ Electrical Connection

Carry out any work on live equipment in compliance with the national safety and accident prevention regulations. Carry out electrical installation in compliance with the relevant regulations. In particular, follow the installation instructions ensuring electromagnetic compatibility (EMC), e.g. shielding, grounding, and laying of cables. This also applies to equipment with the CE mark. It is the responsibility of the manufacturer of the system or machine to ensure conformity with EMC limits.

Your supplier or Omron Yaskawa Motion Control representative must be contacted when using leakage current circuit breaker in conjunction with frequency inverters.

In certain systems it may be necessary to use additional monitoring and safety devices in compliance with the relevant safety and accident prevention regulations. The frequency inverter hardware must not be modified.

■ Notes

The Varispeed E7 IP54 frequency inverters are certified to CE.

◆ EMC Compatibility

■ Introduction

This manual was compiled to help system manufacturers using OMRON YASKAWA Motion Control (OYMC) frequency inverters design and install electrical switch gear. It also describes the measures necessary to comply with the EMC Directive. The manual's installation and wiring instructions must therefore be followed.

Our products are tested by authorized bodies using the standards listed below.

Product standard: EN 61800-3:1996, EN 61800-3; A11:2000

■ Measures to Ensure Conformity of OYMC Frequency inverters to the EMC Directive

OYMC frequency inverters do not necessarily have to be installed in a switch cabinet.

It is not possible to give detailed instructions for all of the possible types of installation. This manual therefore has to be limited to general guidelines.

All electrical equipment produces radio and line-borne interference at various frequencies. The cables pass this on to the environment like an aerial.

Connecting an item of electrical equipment (e.g. drive) to a supply without a line filter can therefore allow HF or LF interference to get into the mains (a line filter is built-in to the inverter).

The basic countermeasures are isolation of the wiring of control and power components, proper grounding and shielding of cables.

A large contact area is necessary for low-impedance grounding of HF interference. The use of grounding straps instead of cables is therefore definitely advisable.

Moreover, cable shields must be connected with purpose-made ground clips.

■ Laying Cables

Measures Against Line-Borne Interference:

The Varispeed E7 IP54 is equipped with an internal EMC filter. To ensure the best performance of the filter ensure to follow the mounting instructions regarding the connection of the shieldings. Use a motor cable with well-grounded shield.

- Use a cable with braided shield.
- Ground the maximum possible area of the shield. It is advisable to ground the shield by connecting the cable to the ground plate with metal clips
- Ground the cable shields at both end and ground the motor of the machine.

Installation

◆ Mechanical Installation

■ Unpacking the Inverter

Check the following items after unpacking the inverter.

Item	Method
Has the correct Inverter model been delivered?	Check the model number on the nameplate on the side of the Inverter.
Is the Inverter damaged in any way?	Inspect the entire exterior of the Inverter to see if there are any scratches or other damage resulting from shipping.
Are any screws or other components loose?	Use a screwdriver or other tools to check for tightness.

Additionally check that following parts are delivered in the package with the IP54 inverter.

Part Name	Qty.
Cable Gland (for Input)	1
Cable Gland (for Motor Output)	1
Cable Gland (for Control)	1
Cable Gland (for Fieldbus)	1
Door Key	1
Blind Plug (Control Cable Entry)	1
Blind Plug (Fieldbus Cable Entry)	1

If any irregularities in the above items are found, contact the agency from which the Inverter was purchased or your Omron Yaskawa Motion Control representative immediately.

■ Checking the Installation Site

Observe the following precautions when mounting the Inverter.

- Install the Inverter in a clean location which is free from oil mist and dust.
- When installing or operating the Inverter, always take special care so that metal powder, oil, water, or other foreign matter does enter the Inverter.
- Do not install the Inverter on combustible material, such as wood.
- Install the Inverter in a location free from radioactive materials and combustible materials.
- Install the Inverter in a location free from harmful gasses and liquids.
- Install the Inverter in a location without excessive oscillation.
- Install the Inverter in a location free from chlorides.
- Install the Inverter in a location without in direct sunlight.
- The IP54 Inverters provide protection from non-conductive dust and splashing water from all directions. Install the Inverter indoors in a heated and controlled environment to avoid condensation inside the Inverter. Keep any water or dust outside of the IP54 Inverter when wiring.
- Ensure that the door locks are closed before carrying the Inverter. Always hold the case when carrying the Inverter, do not carry it holding the door or the cable glands. If the door locks are open or the Inverter is held by the door (or cable glands) when carrying the main body of the Inverter may fall, possibly resulting in injury.
- Pay attention not to damage the cable glands when lifting. Otherwise the equipment may be damaged by ingress of water or dust. Mount the blind plugs attached for option and control entry if these terminals are not connected
- Pay attention not to damage the cable glands during the installation

■ Installation Orientation

Install the Inverter vertically so as not to reduce the cooling effect. When installing the Inverter, always provide the following installation space to allow normal heat dissipation.

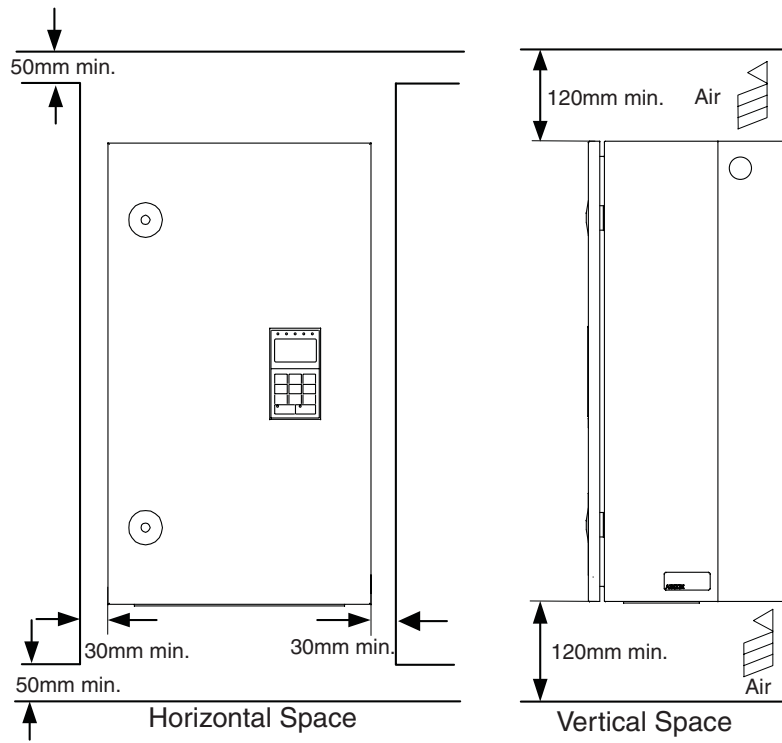


Fig 1 Installation Space

◆ Electrical Connection

■ Wiring the Inverter

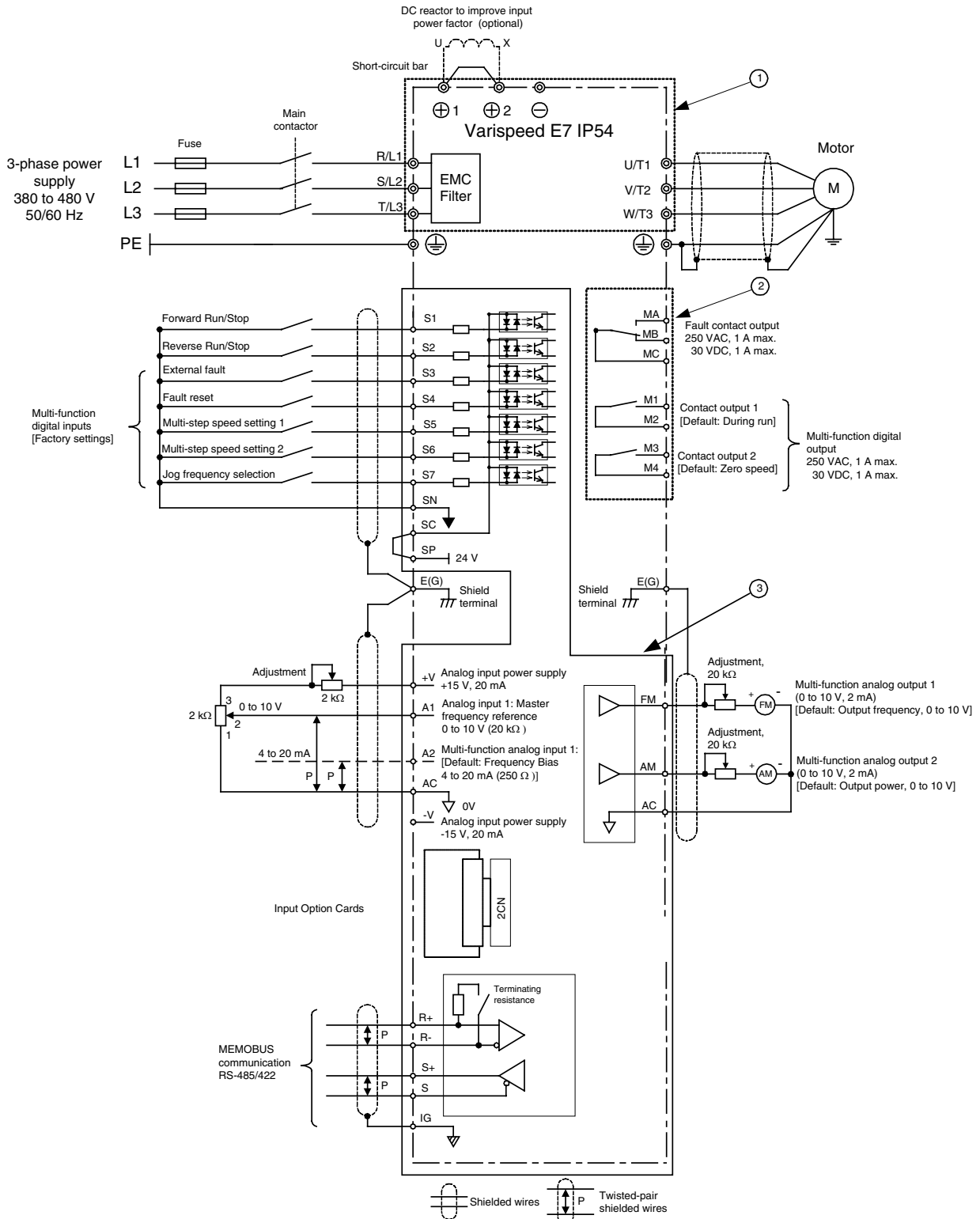


Fig 2 Wiring Diagram

◆ Main Circuit Terminals

Main circuit terminal functions are summarized according to terminal symbols in [Table 1](#). Wire the terminals correctly for the desired purposes.

Table 1 Main Circuit Terminal Functions (200 V Class and 400 V Class)

Purpose	Terminal Symbol	Model: CIMR-E7Z□□□□
Main circuit power input	R/L1, S/L2, T/L3	47P5 to 4055
Inverter outputs	U/T1, V/T2, W/T3	47P5 to 4055
DC bus terminals	⊕1, ⊖	47P5 to 4055
DC reactor connection	⊕1, ⊕2	47P5 to 4018
Braking Unit connection	⊕3, ⊖	47P5 to 4055
Ground	⊕	47P5 to 4055

■ Main Circuit Terminals Location

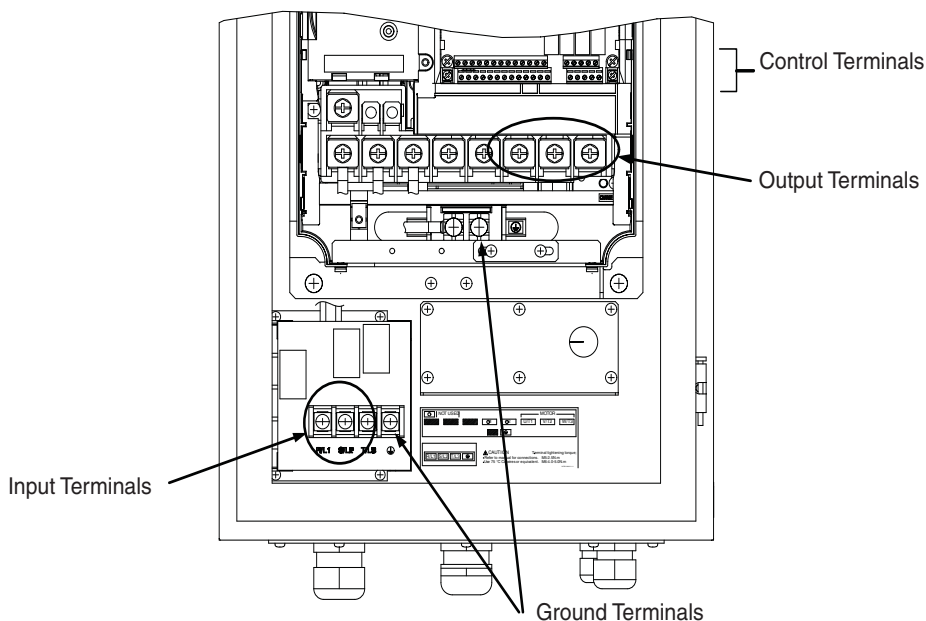


Fig 3 Terminal Arrangement of Inverters from 7.5 to 30 kW

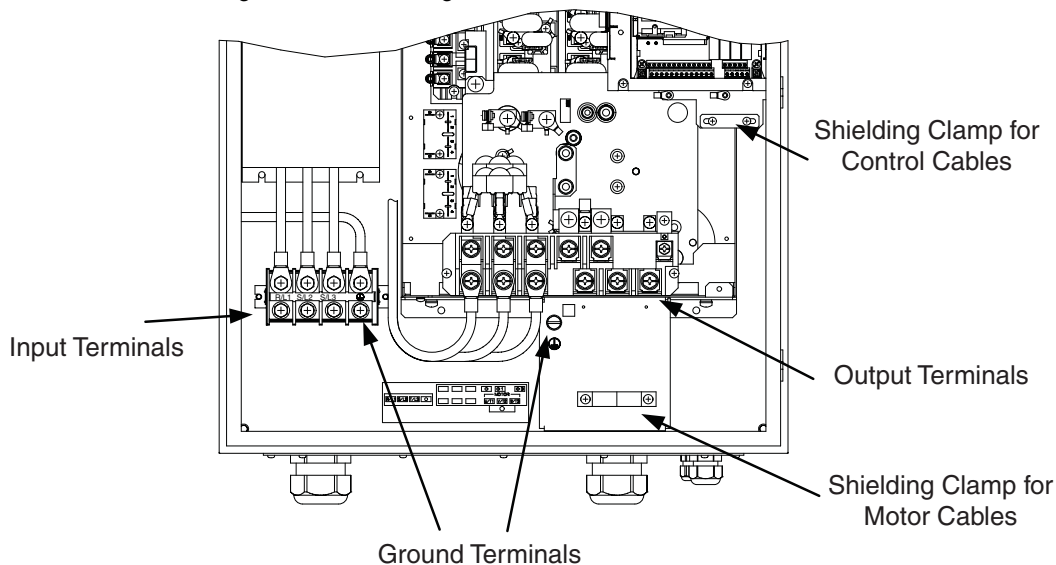


Fig 4 Terminal Arrangement of Inverters from 37 to 55 kW

■ Control Circuit Terminals

Fig 5 shows the control terminal arrangement. The functions of the control circuit terminals are shown in Table 2. Use the appropriate terminals for the correct purposes.

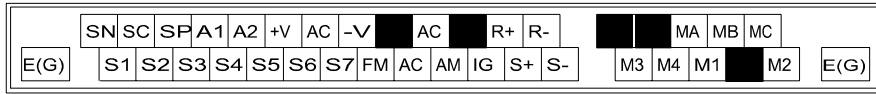


Fig 5 Control terminal arrangement

Table 2 Control Circuit Terminals with default settings

Type	No.	Signal Name	Function		Signal Level
Digital input signals	S1	Forward run/stop command	Forward run when ON; stopped when OFF.		24 VDC, 8 mA Photocoupler isolation
	S2	Reverse run/stop command	Reverse run when ON; stopped when OFF.		
	S3	External fault input ^{*1}	Fault when ON.	Functions are selected by setting H1-01 to H1-05.	
	S4	Fault reset ^{*1}	Reset when ON		
	S5	Multi-step speed reference 1 ^{*1} (Master/auxiliary switch)	Auxiliary frequency reference when ON.		
	S6	Multi-step speed reference 2 ^{*1}	Multi-step speed 2 when ON.		
	S7	Jog frequency reference ^{*1}	Jog frequency when ON.		
	SC	Digital input common	-		-
	SN	Digital Input Neutral	-		-
	SP	Digital Input Power Supply	+24 VDC power supply for digital inputs		24 VDC, 250 mA max. ^{*2}
Analog input signals	+V	15 V power output	15 V power supply for analog references		15 V (Max. curr.: 20mA)
	A1	Frequency reference	0 to +10 V/100%		0 to +10 V (20 kΩ)
	A2	Auxiliary Frequency Reference	Auxiliary analog frequency reference; 4 to 20 mA (250 Ω)	Function is selected by setting H3-09.	4 to 20 mA (250 Ω) 0 V to +10 V (20 kΩ) 0 to 20 mA (250 Ω)
	-V	-15 V power output	-15 V power supply for analog references		
	AC	Analog reference common	-		-
	E(G)	Shield wire, optional ground line connection point	-		-
Digital output signals	M1	During run (1NO contact)	Closed during Run	Function selected by H2-01 and H2-02	Relay contacts Contact capacity: 1 A max. at 250 VAC 1 A max. at 30 VDC ^{*3}
	M2		CLOSED when output frequency at zero level (b2-01) or below		
	M3	Zero speed (1NO contact)	CLOSED across MA and MC during faults OPEN across MB and MC during faults		
	M4				
	MA	Fault output signal	CLOSED across MA and MC during faults OPEN across MB and MC during faults		
	MB				
MC					
Analog Output Signals	FM	Output frequency	Analog output frequency signal; 0 to 10 V; 10 V=FMAX	Function selected by H4-01	0 to +10 V max. ±5% 2 mA max.
	AC	Analog common	-		
	AM	Inverter output power	Analog output power signal; 0 to 10 V; 10 V=max. appl. motor capacity	Function selected by H4-04	

Type	No.	Signal Name	Function	Signal Level
RS-485/422	R+	MEMOBUS communications input	For 2-wire RS-485, short R+ and S+ as well as R- and S-.	Differential input, PHC isolation
	R-			
	S+	MEMOBUS communications output		Differential input, PHC isolation
	S-			
	IG	Signal common		—

- *1. The default settings are given for terminals S3 to S7. For a 3-wire sequence, the default settings are a 3-wire sequence for S5, multi-step speed setting 1 for S6 and multi-step speed setting 2 for S7.
- *2. Do not use this power supply for supplying any external equipment.
- *3. When driving a reactive load, such as a relay coil with DC power supply, always insert a flywheel diode as shown in [Fig 6](#)

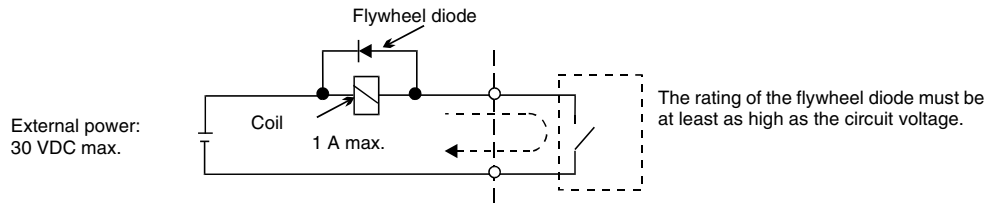


Fig 6 Flywheel Diode Connection



1. In [Fig 2](#) the wiring of the digital inputs S1 to S7 is shown for the connection of contacts or NPN transistors (0V common and sinking mode). This is the default setting. For the connection of PNP transistors or for using a 24V external power supply, refer to [Table 3](#).
2. A DC reactor is an option only for Inverters of 18.5 kW or less. Remove the short circuit bar when connecting a DC reactor.

■ Sinking/Sourcing Mode (NPN/PNP Selection)

The input terminal logic can be switched over between sinking mode (0-V common, NPN) and sourcing mode (+24V common, PNP) by using the jumper CN5. An external power supply is also supported, providing more freedom in signal input methods.

Table 3 Sinking / Sourcing Mode and Input Signals

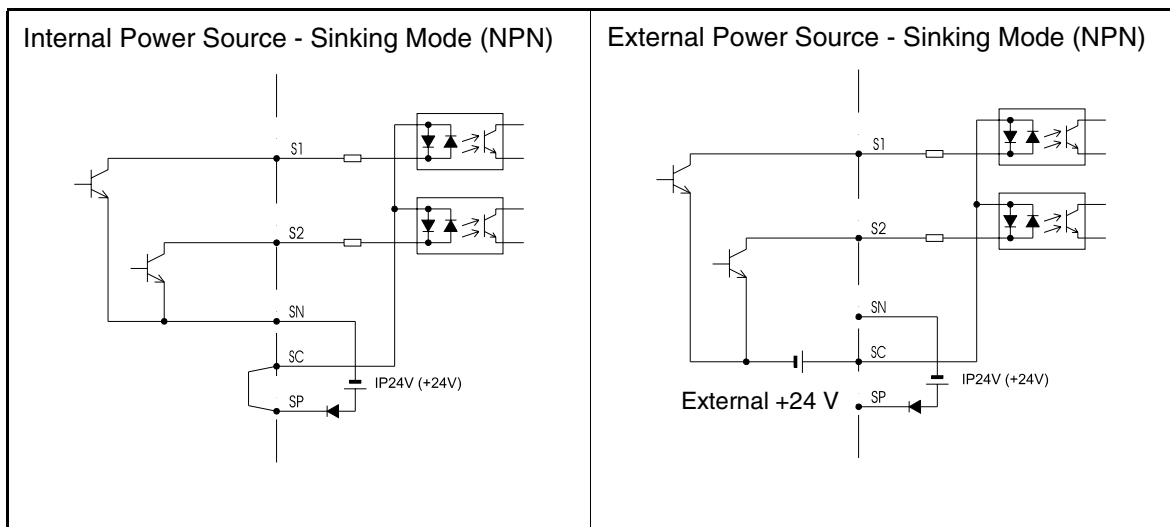
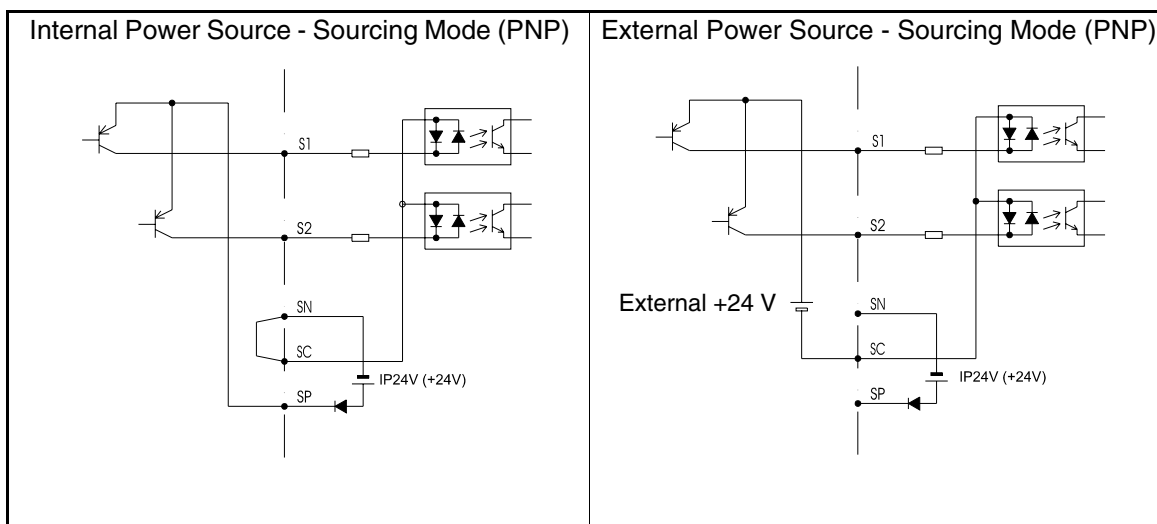


Table 3 Sinking / Sourcing Mode and Input Signals



◆ Wiring Main Circuit Inputs

Installing Fuses

To protect the inverter, it is recommended to use semiconductor fuses like they are shown in the table below.

Table 4 Input Fuse Selection

Inverter Type	Rated Inverter Output Current (A)	Fuse Selection			Selection Example (Ferraz)		
		Voltage (V)	Current (A)	I^2t (A ² s)	Model	Rating	I^2t (A ² s)
47P5	17	480	30	100~640	A60Q30-2	600V / 30A	132
4011	24	480	50	150~1300	A70P50-4	700V / 50A	300
4015	31	480	60	400~1800	A70P70-4	700V / 70A	590
4018	39	480	70	700~4100	A70P80-4	700V / 80A	770
4022	45	480	80	240~5800	A70P80-4	700V / 80A	770
4030	60	480	100	500~5800	A70P100-4	700V / 100A	1200
4037	75	480	125	750~5800	A70P125-4	700V / 125A	1900
4045	91	480	150	920~13000	A70P150-4	700V / 150A	2700
4055	112	480	150	1500~13000	A70P200-4	700V / 200A	4800

Consider the following precautions for the main circuit power supply input.

- If a moulded case circuit breaker is used for the power supply connection (R/L1, S/L2, and T/L3), ensure that the circuit breaker is suitable for the Inverter.
- If an earth leakage breaker is used, it should be able to detect all kinds of current should be used in order to ensure a safe earth leakage current detection
- A magnetic contactor or other switching device can be used at the inverter input. The inverter should not be powered up more than once per hour.
- The input phases (R/S/T) can be connected in any sequence.
- If the Inverter is connected to a large-capacity power transformer (600 kW or more) or a phase advancing capacitor is switched nearby, an excessive peak current could flow through the input power circuit, causing an inverter damage. As a countermeasure install an optional AC Reactor at the inverter input or a DC reactor at the DC reactor connection terminals.
- Use a surge absorber or diode for inductive loads near the Inverter. Inductive loads include magnetic contactors, electromagnetic relays, solenoid valves, solenoids, and magnetic brakes.

■Wiring the Output Side of the Main Circuit

The following precautions should be considered for the output circuit wiring.

- Never connect any power source to the inverter output terminals. Otherwise the inverter can be damaged.
- Never short or ground the output terminals. Otherwise the inverter can be damaged.
- Do not use phase correction capacitors. Otherwise the inverter and capacitors can be damaged.
- Check the control sequence to make sure, that the magnetic contactor (MC) between the Inverter and motor is not turned ON or OFF during inverter operation. If the MC is turned ON during the Inverter is operation, a large inrush current will be created and the inverter's overcurrent protection may operate.

■Ground Connection

The following precautions should be considered for the ground connection.

- Do not share the ground wire with other devices, such as welding machines or power tools.
- Always use a ground wire, that complies with technical standards on electrical equipment and minimize the length of the ground wire.
Leakage current is caused by the Inverter. Therefore, if the distance between the ground electrode and the ground terminal is too long, potential on the ground terminal of the Inverter will become unstable.
- When more than one Inverter is used, do not to loop the ground wire.

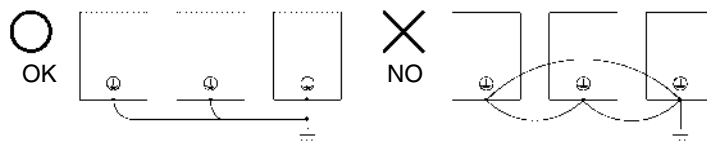


Fig 7 Ground Wiring

■Control Circuit Wiring Precautions

Consider the following precautions for wiring the control circuits.

- Separate control circuit wiring from main circuit wiring (terminals R/L1, S/L2, T/L3, B1, B2, \ominus , $\oplus 1$, $\oplus 2$, and $\oplus 3$) and other high-power lines.
- Separate wiring for control circuit terminals MA, MB, MC, M1, M2, M3 and M4 (relay outputs) from wiring to other control circuit terminals.
- If an optional external power supply is used, it should be a UL Listed Class 2 power supply.
- Use twisted-pair or shielded twisted-pair cables for control circuits to prevent operating faults.
- Ground the cable shields with the maximum contact area of the shield and ground.
- Cable shields have to be grounded on both cable ends.

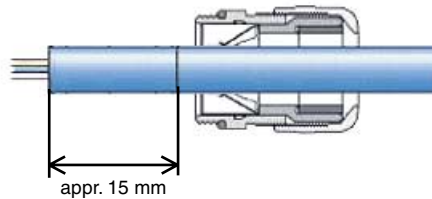
■Installing the Power Cable Glands

Special attention has to be paid for wiring the motor cables of the IP54 inverters. The smaller capacities feature an EMC cable gland which is used to earth the motor cable shield easily.

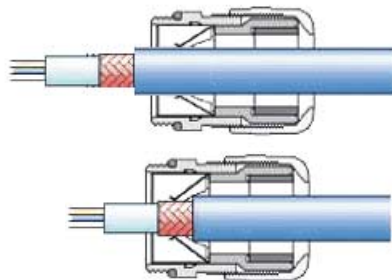
Installing the Metal (EMC) Cable Gland for the Motor Cables on IP54 Inverters 7.5 to 30kW:

- With the standard contacting

Make a round cut into the outer sheath, with a length of appr. 14mm from the end of the sheath but do not remove the sheath. Guide the cable through the gland.



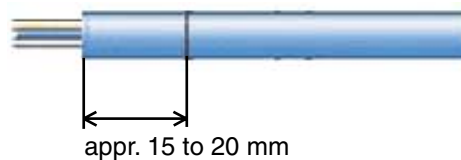
Pull off the cut-off outer sheath, remove some part of the shield and pull the cable back until the shield has proper contact to the springs of the cable gland.



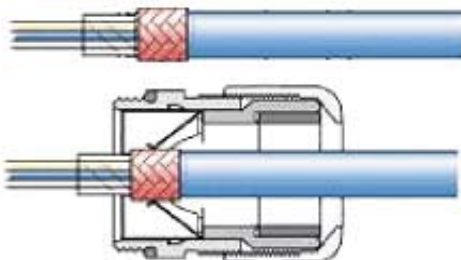
Close the cable gland.

- With thin wires and without an inner sheath:

Make a round cut into the sheath, with a length of appr. 15 to 20 mm and remove it.



Pull back the braided shield over the outer sheath, the inner shield should be kept for easier guiding through the gland.



Guide the cable through the gland until the shield has proper contact to the springs of the cable gland and close the cable gland.

Note: To ensure conformity to EMC regulations the shielded cable has to be locked tightly by the metal cable gland. Confirm the cable length and the terminal specifications before fitting the metal cable gland.

Special Considerations for IP54 Inverters of 22 and 30kW capacity

Remove the braided shield on the output cable entirely from the entry hole to the terminal end to avoid short circuit to the input terminals or the filter.

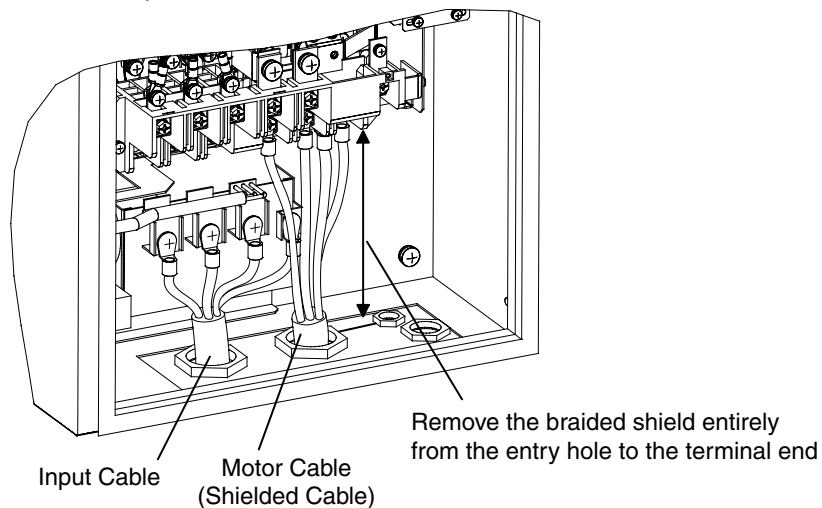


Fig 8 Motor cable shielding with Inverters of 22 and 30 kW

Installing the Motor Cable with IP54 Inverters of 37 to 55kW capacity

Install the shielded output cable as shown in the figure below. Remove the outer sheath and clamp the braided shield by the earth clamp.

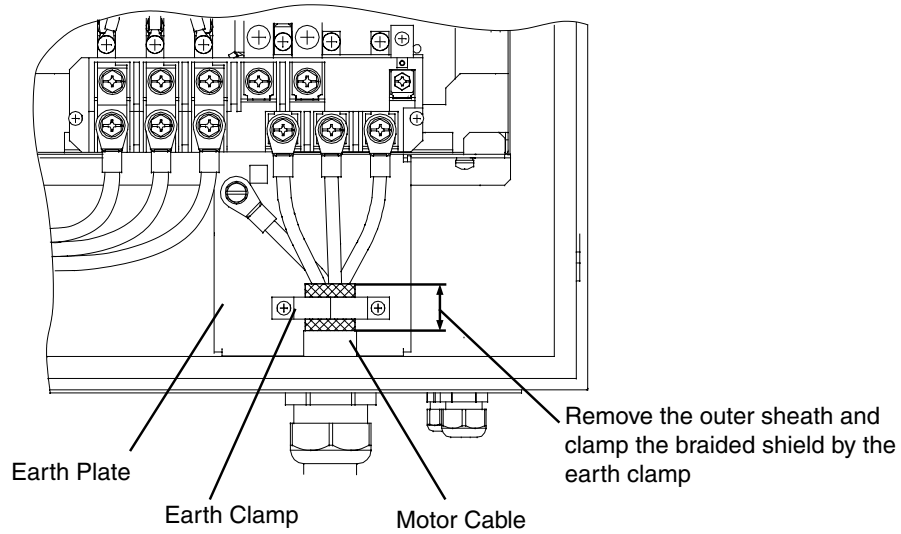


Fig 9 Motor Earth Clamp with Inverters of 37 to 55 kW

■Earthing the Control Cable Shield in IP54 Inverters

For a appropriate shielding earth clamps have been mounted in the IP54 inverters. [Fig 10](#) and [Fig 11](#) show where the earth clamps can be found.

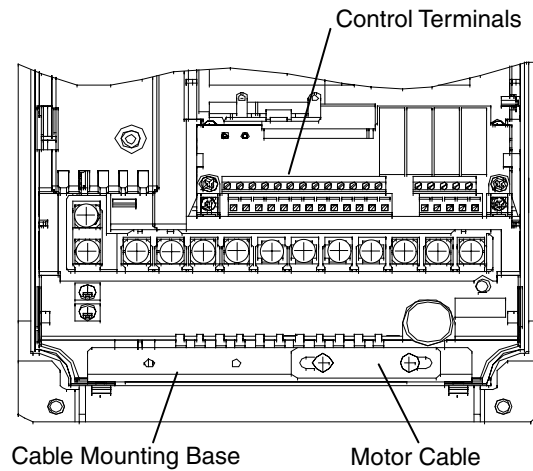


Fig 10 Earth Clamp of IP54 Inverters with 7.5 to 18.5kW capacity

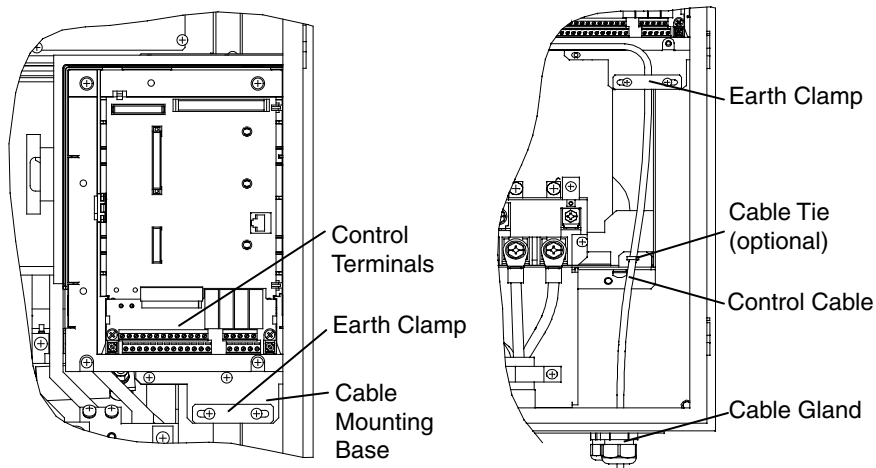
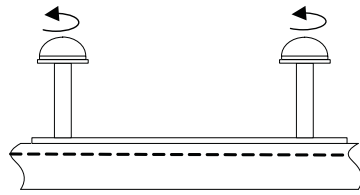
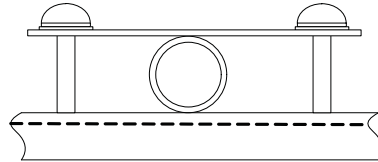


Fig 11 Earth clamp of IP54 Inverters with 22 to 55kW

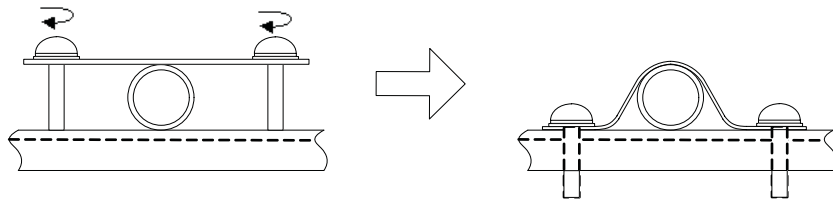
Use the following procedure to clamp and shield of the control cables in the IP54 Inverters.



Loosen both mounting screws for the earth clamp



Insert the shielded cable for control between earth clamp and cable mounting base



Tighten the screws alternately until screws are fixed to the end.

Fig 12 Procedure for earthing the control cable shield

Keypad Operation

◆ Digital Operator Display

The key names and functions of the Digital Operator are described below



Drive Mode Indicators

- FWD: Lights up when a forward run command is input.
- REV: Lights up when a reverse run command is input.
- SEQ: Lights up when the run command from the control circuit terminal is enabled.
- REF: Lights up when the frequency reference from control circuit terminals A1 and A2 is enabled.
- ALARM: Lights up when an error or alarm has occurred.

Data Display

Displays monitor data, parameter numbers, and settings.

Keys

Execute operations such as setting user parameters, monitoring, jogging, and autotuning.

■ Digital Operator Keys

Key	Name	Function
	LOCAL/REMOTE Key	Switches between operation via the Digital Operator (LOCAL) and the settings in b1-01 and b1-02 (REMOTE). This key can be enabled or disabled by setting parameter o2-01.
	MENU Key	Selects the modes.
	ESC Key	Returns to the status before the DATA/ENTER Key was pressed.
	JOG Key	Enables jog operation when the Inverter is being operated from the Digital Operator.
	FWD/REV Key	Selects the rotation direction of the motor when the Inverter is being operated from the Digital Operator.
	Shift/RESET Key	Sets the active digit when programming user parameters. Also acts as the Reset key when a fault has occurred.
	Increment Key	Selects user parameter numbers and increments parameter settings. Used to move to the next item or data.
	Decrement Key	Selects user parameter numbers and decrements parameter settings. Used to move to the previous item or data.
	DATA/ENTER Key	Enters menus and parameters and validates parameter settings.
	RUN Key	Starts operation when the Inverter is being controlled by the Digital Operator (LOCAL Mode).
	STOP Key	Stops Inverter operation (LOCAL and REMOTE Mode). This key can be enabled or disabled when operating from a source different than the operator by setting parameter o2-02.

Power Up and Basic Parameter Setup

◆ Start Up Procedure

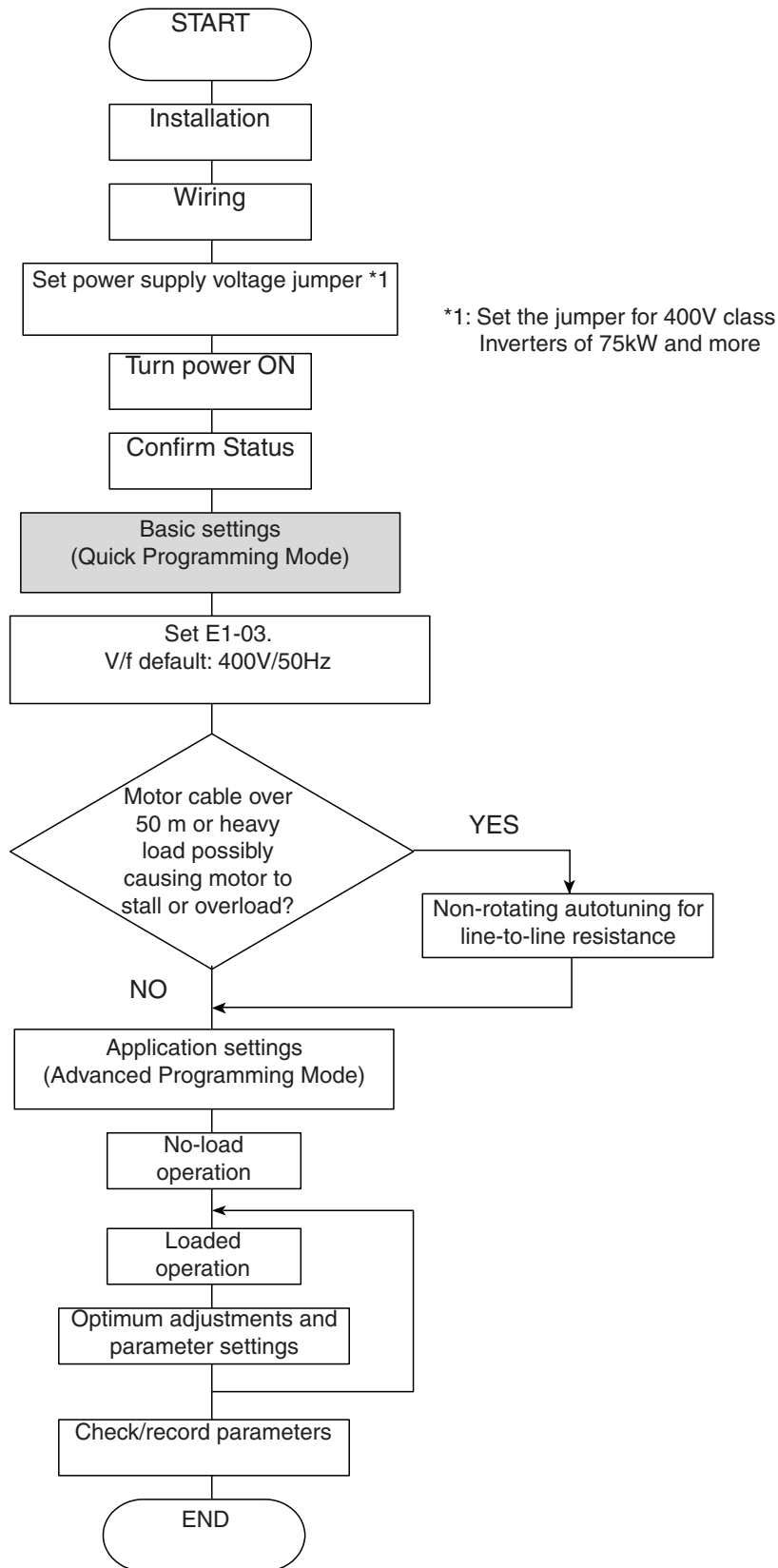


Fig 13 Trial Operation Flowchart

◆ Before Power Up

The following points should be checked carefully before the power is switched on.

- Check if the power supply meets the inverter specification.
- Check if the power supply cables are tightly connected to the right terminals (L1, L2, L3).
- Check if the motor cables are tightly connected to the right terminals on the inverter side (U, V, W) as well as on the motor side.
- Check if the braking unit / braking resistor is connected correctly.
- Check if the Inverter control circuit terminal and the control device are wired correctly.
- Set all Inverter control circuit terminals to OFF.
- When a PG card is used, check if it is wired correctly.

◆ Display after Power Up

After normal power up without any problems the operator display shows the following messages

Display for normal operation

-DRIVE-	Frequency Ref	Rdy
U1-01	=	50.00Hz
U1-02	=	0.00Hz
U1-03	=	0.00A

The frequency reference monitor is displayed in the data display section.

When a fault has occurred or an alarm is active a fault or alarm message will appear. In this case, refer to [page 23, Troubleshooting](#).

Display for fault operation

-DRIVE-
UV
Main Power Loss

A fault or alarm message is shown on the display.
The example shows a low voltage alarm.

◆ Autotuning for Line-to-Line Resistance

Autotuning can be used to improve the performance when very long motor cables are used or when motor and inverter have different power ratings.

To perform autotuning set T1-02 (Motor rated power) and T1-04 (Motor rated current) and then press the RUN key on the Digital Operator. The Inverter will supply power to the motor for approximately 20 seconds and the line-to-line resistance (stator windings and cable resistance) will be measured automatically.



1. Power will be supplied to the motor during autotuning but the motor will not turn. Do not touch the motor until autotuning has been completed.
2. Ensure that all motor contactors are closed before the autotuning is started.
3. To cancel autotuning press the STOP key on the Digital Operator.

■ Other Alarms and Faults During Autotuning

For an overview of possible autotuning alarms or faults and corrective actions refer to [page 25, Auto-tuning Faults](#).

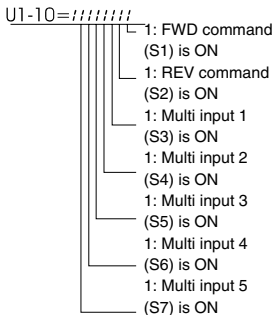
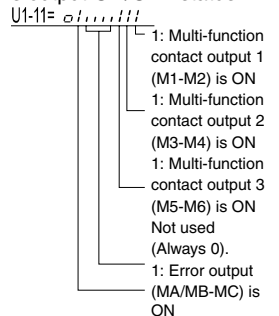
User Parameters

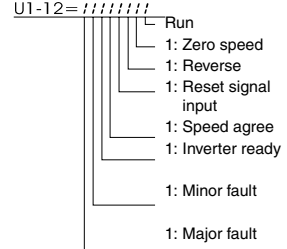
Parameter No.	Name	Description
Initialize Data		
A1-00	Language selection for Digital Operator display (JVOP-160-OY only)	0:English 2:German 3:French 4:Italian 5:Spanish 6:Portuguese
A1-01	Parameter access level	0:Monitoring only (Monitoring drive mode and setting A1-01 and A1-04.) 1:Used to select user parameters (Only parameters set in A2-01 to A2-32 can be read and set.) 2:Advanced (Parameters can be read and set in both, quick programming mode (Q) and advanced programming mode (A).)
A1-03	Initialize	0: No initializing 1110:Initializes using the user parameters 2220:Initializes using a two-wire sequence. (Initializes to the factory setting.) 3330: Initializes using a three-wire sequence.
Sequence / Reference Source		
b1-01	Reference source selection	Sets the frequency reference input method. 0:Digital Operator 1:Control circuit terminal (analog input) 2:Serial communication (RS422 / 485) 3:Option Card
b1-02	RUN command source selection	Sets the run command input method. 0:Digital Operator 1:Control circuit terminal (digital inputs) 2:Serial communication (RS422 / 485) 3:Option Card
b1-03	Stopping method selection	Selects the stopping method when the Run signal is removed 0:Deceleration to stop 1:Coast to stop 2:DC injection to stop 3:Coast to stop with timer (New Run commands are disregarded while coasting.)
b1-04	Prohibition of reverse operation	0:Reverse enabled 1:Reverse disabled 2:Output Phase Rotation (both rotational directions are enabled) 3:Output Phase Rotation with Reverse disabled.
Speed Search		
b3-01	Speed search selection (current detection or speed calculation)	Enables/disables the speed search function and sets the speed search method. 0:Disabled, speed calculation 1:Enabled, speed calculation 2:Disabled, current detection 3:Enabled, current detection

Parameter No.	Name	Description
b3-14	Bi-directional speed search selection	Disables or enables the bi-directional capabilities of the speed search function. 0:Disabled 1:Enabled
PI Control		
b5-01	PI control mode selection	0:Disabled 1:Enabled 3:PI control enabled (frequency reference+ PI output)
b5-02	Proportional (P) gain	Sets the proportional gain of the PI controller. P control is not performed when set 0.00.
b5-03	Integral (I) time	Sets the integral time of the PI controller. I control is not performed when set to 0.0 sec.
b5-09	PI output characteristics selection	Selects forward/reverse direction for PI output. 0:PI output is forward 1:PI output is reverse.
b5-17	Accel/decel time for PI reference	Sets the accel/decel time for the PI Softstarter (SFS).
b5-18	PI Setpoint Selection	0:Disabled 1:Enabled
b5-19	PI Setpoint	PI target value
b5-31	PI Unit Selection	Selects the units for the PI controller values (b5-19, U1-24, U1-38).
Acceleration / Deceleration Settings		
C1- <input type="checkbox"/>	Acceleration/Deceleration times	Sets the time to accelerate/decelerate from 0 Hz to the maximum output frequency.
S-Curve Settings		
C2- <input type="checkbox"/>	S-curve characteristic time at acceleration	Sets the S-curve characteristic at acceleration start and end.
Carrier Frequency		
C6-02	Carrier frequency selection	Selects the carrier frequency (factory setting depends on Inverter capacity) 0: Low noise, low carrier 1: 2.0 kHz 2: 5.0 kHz 3: 8.0 kHz 4: 10.0 kHz 5: 12.5 kHz 6: 15.0 kHz F: Programmable pattern
Speed Settings		
d1-01 to d1-04	Multi speed references 1 to 4	Sets the multi-step speed references.
d1-17	Jog frequency reference	
Reference Limits		
d2-01	Frequency reference upper limit	Sets the frequency reference upper limit in percent of the max. output frequency (E1-04)
d2-02	Frequency reference lower limit	Sets the frequency reference lower limit in percent of the max. output frequency (E1-04)

Parameter No.	Name	Description
V/f Pattern Settings		
E1-01	Input voltage setting	This setting is used as a reference value for protection functions.
E1-04	Max. output frequency (FMAX)	<p>Output Voltage (V)</p> <p>VMAX (E1-05) (VBASE) (E1-13)</p> <p>VB (E1-08)</p> <p>VMIN (E1-10)</p> <p>FMIN (E1-09) FB (E1-07) FA (E1-06) FMAX (E1-04)</p> <p>Frequency (Hz)</p>
E1-05	Max. output voltage (VMAX)	
E1-06	Base frequency (FA)	To set V/f characteristics in a straight line, set the same values for E1-07 and E1-09. In this case, the setting for E1-08 will be disregarded.
E1-13	Base Voltage (VBASE)	Always ensure that the four frequencies are set in the following order: E1-04 (FMAX) ≥ E1-06 (FA) > E1-07 (FB) ≥ E1-09 (FMIN)
Motor Data Settings		
E2-01	Motor rated current	Sets the motor data. Set the correct values if the thermal motor protection is used.
E2-03	Motor no-load current	
E2-05	Motor line-to-line resistance	
Digital I/O Settings		
H1-01 to H1-05	Terminal S3 to S7 function selection	Refer to page 22, Digital Input Function Selections (H1-01 to H1-05) for a list of selections
H2-01 and H2-02	Terminal M1-M2 and M3-M4 function selection	Refer to page 22, Digital Output Function Selections for a list of selections
Analog I/O Settings		
H3-08	Analog input A2 signal level selection	Selects the signal level input at multi-function analog input A2. 0:0 to +10V (11 bit). 2:4 to 20 mA (9-bit input). 3:0 to 20 mA (9-bit input) Ensure to switch S1-2 to "V" before using a voltage input.
H3-09	Analog input A2 function selection.	Selects the multi-function analog input function for terminal A2.
H3-13	Terminal A1/A2 switching	Selects on which terminal the main frequency reference can be input. 0:Use analog input 1 on terminal A1 for main frequency reference. 1:Use analog input 2 on terminal A2 for main frequency reference.
H4-01	Terminal FM monitor selection	Sets the number of the monitor item to be output (U1-□□) at terminal FM/AM.
H4-04	Terminal AM monitor selection	
H4-05	Terminal AM gain	Sets the analog output AM gain. Sets the percentage of the monitor value that is equal to 10V output at terminal AM.

Parameter No.	Name	Description
Motor Protection		
L1-01	Motor protection selection	0:Disabled 1:General-purpose motor protection (fan cooled motor) 2:Inverter motor protection (externally cooled motor) 3:Vector motor protection When the Inverter power supply is turned off, the thermal value is reset, so even if it is enabled, protection may not be effective.
Power Loss Ride Through		
L2-01	Momentary power loss detection	0:Disabled (DC bus undervoltage (UV1) detection) 1:Enabled (Restarted when the power returns within the time set in L2-02. When L2-02 is exceeded, DC bus undervoltage is detected.) 2:Enabled while CPU is operating. (Restarts when power returns during control operations. Does not detect DC bus undervoltage.)
Stall Prevention		
L3-01	Stall prevention selection during accel	0:Disabled (Acceleration as set. With a heavy load, the motor may stall.) 1:Enabled (Acceleration stopped when L3-02 level is exceeded. Acceleration starts again when the current has fallen below the stall prevention level). 2:Intelligent acceleration mode (Using the L3-02 level as a basis, acceleration is automatically adjusted. Set acceleration time is disregarded.)
L3-02	Stall prevention level during accel	Effective when L3-01 is set to 1 or 2. Set as a percentage of Inverter rated current.
L3-04	Stall prevention selection during decel	0:Disabled (Deceleration as set. If deceleration time is too short, a DC bus overvoltage may result.) 1:Enabled (Deceleration is stopped when the DC bus voltage exceeds the stall prevention level. Deceleration restarts when the voltage falls below the stall prevention level again.) 2:Intelligent deceleration mode (Deceleration rate is automatically adjusted so that the Inverter can decelerate in the shortest possible time. The set deceleration time is disregarded.) When a braking option (Braking Unit) is used, always set to 0.
L3-05	Stall prevention selection during running	0:Disabled (Runs as set. With a heavy load, the motor may stall.) 1:Deceleration using deceleration time 1 (C1-02.) 2:Deceleration using deceleration time 2 (C1-04.)
L3-06	Stall prevention level during running	Effective when L3-05 is 1 or 2. Set as a percentage of the Inverter rated current.
Fault Restart		
L5-01	Number of auto restart attempts	Sets the number of auto restart attempts. Automatically restarts after a fault and conducts a speed search from the run frequency.

Parameter No.	Name	Description
L5-02	Auto restart operation selection	Sets whether a fault relay is activated during fault restart. 0:No output (Fault relay is not activated.) 1:Output (Fault relay is activated.)
Load Detection		
L6-01	Load detection selection	0:Load detection disabled. 1:Overload detection only at speed agree; operation continues (alarm). 2:Overload detection continuously during operation; operation continues (alarm). 3:Overload detection only at speed agree; coast to stop (fault). 4:Overload detection continuously during operation; coast to stop (fault). 5:Loss of load detection only at speed agree; operation continues (alarm). 6:Loss of load detection continuously during operation; operation continues (alarm). 7:Loss of Load detection only at speed agree; coast to stop (fault). 8:Loss of Load detection continuously during operation; coast to stop (fault).
L6-02	Load detection level	Inverter rated current is set as 100%.
L6-03	Load detection time	Sets the overload/loss of load detection time.
Monitor Data		
U1-01	Frequency reference in Hz / rpm	
U1-02	Output frequency in Hz / rpm	
U1-03	Output current in A	
U1-06	Output voltage in VAC	
U1-07	DC bus voltage in VDC	
U1-08	Output power in kW	
U1-10	Input terminal status	Shows input ON/OFF status. 
U1-11	Output terminal status	Shows output ON/OFF status. 

Parameter No.	Name	Description
U1-12	Operation status	Inverter operating status. 
U1-13	Cumulative operation time in hrs.	
U1-24	PI feedback value in %	
U1-29	Cumulated energy display 1 in kWh	
U1-30	Cumulated energy display 2 in MWh	
U1-34	OPE fault parameter	
U1-36	PI input volume in %	
U1-37	PI output volume in %	
U1-38	PI setpoint volume in %	
U1-40	Cooling fan operating time in hrs.	
U1-53	PI feedback 2 in %	
Fault Trace Data		
U2-01	Current fault	
U2-02	Last fault	
U2-03	Reference frequency at fault	
U2-04	Output frequency at fault	
U2-05	Output current at fault	
U2-07	Output voltage reference at fault	
U2-08	DC bus voltage at fault	
U2-09	Output power at fault	
U2-11	Input terminal status at fault	
U2-12	Output terminal status at fault	
U2-13	Operation status at fault	
U2-14	Cumulative operation time at fault	
Fault History Data		
U3-01 to U3-04	Last fault to fourth last fault	
U3-05 to U3-08	Cumulative operation time at fault 1 to 4	
U3-09 to U3-14	Fifth last to tenth last fault	
U3-15 to U3-20	Accumulated time of fifth to tenth fault	
* The following faults are not recorded in the error log: CPF00, 01, 02, 03, UV1, and UV2.		

Setting	Description
Digital Input Function Selections (H1-01 to H1-05)	
3	Multi-step speed reference 1
4	Multi-step speed reference 2
6	Jog frequency command (higher priority than multi-step speed reference)
F	Not used (Set when a terminal is not used)
14	Fault reset (Reset when turned ON)
19	PI control disable
20 to 2F	External fault; Input mode: NO contact/NC contact, Detection mode: Normal/during operation
Digital Output Function Selections (H2-01 and H2-02)	
0	During run 1 (ON: run command is ON or voltage is being output)
6	Inverter operation ready; READY: After initialization or no faults
F	Not used. (Set when the terminal is not used.)

Troubleshooting

Faults and Alarms indicate unusual inverter / application conditions.

An alarm does not necessarily switch off the inverter but a message is displayed on the keypad (i.e. a flashing alarm code) and an alarm output can be generated at the multi-function outputs (H2-01 and H2-02) if programmed. An alarm automatically disappears if the alarm condition is not present anymore.

A fault switches the inverter output off immediately, a message is displayed on the keypad and the fault output is switched. The fault must be reset manually after the cause and the RUN signal have been removed.

The following table shows a list of faults and alarms with their corrective actions.

Table 5 List of Faults and Alarms

Display	Alarm	Fault	Meaning	Corrective Actions
BUS Option Com Err		○	Option Card Communication Alarm After initial communication was established, the connection was lost.	Check the connections and all user-side software configurations.
CPF00 COM- ERR(OP&INV)		○	Digital Operator Communication Fault 1/2 • Communication fault between Operator and Inverter • CPU External RAM Fault	<ul style="list-style-type: none"> • Disconnect the Digital Operator and then connect it again. • Cycle the Inverter power supply. • Replace the Inverter.
CPF01 COM- ERR(OP&INV)				
CPF0x		○	CPF02, CPF03, CPF04 Fault • Baseblock circuit error • EEPROM error • CPU Internal A/D Converter Fault	<ul style="list-style-type: none"> • Perform an initialization to factory defaults. • Cycle the Inverter power supply. • Replace the Inverter.
EF External Fault	○		Forward/Reverse Run Commands Input Together Both the forward and the reverse run commands are input simultaneously for 500ms or more. This alarm stops the motor.	Check external sequence logic, so that only one input is activated at a time.
EF0 Opt External Flt		○	External fault input from Communications Option Card	<ul style="list-style-type: none"> • Check for an external fault condition. • Verify the parameters. • Verify communication signals
EFx Ext Fault Sx	○	○	External fault at terminal Sx (x stands for terminals S3 to S7)	Eliminate the cause of the external fault condition.
Ext Run active Cannot Reset	○		Detected after a fault when a RESET command is input while the RUN command is still active	Remove the RUN signal first and reset the error.
GF Ground Fault		○	Ground Fault The ground current at the Inverter output exceeded 50% of the Inverter rated output current and L8-09=1 (Enabled).	<ul style="list-style-type: none"> • Remove the motor and run the Inverter without the motor. • Check the motor for a phase to ground short. • Check the output current with a clampmeter to verify the DCCT reading. • Check the control sequence for wrong motor contactor signals.
LL3 Loss of Load Det	○	○	Loss of Load Loss of motor load according to the settings of L6-01 to L6-03 has been detected.	<ul style="list-style-type: none"> • Make sure that the settings in L6-02 and L6-03 are appropriate. • Check the mechanical system (mechanical connection of the load, e.g. belt).
OC Over Current		○	Over Current The Inverter's output current exceeded the over-current detection level.	<ul style="list-style-type: none"> • Remove the motor and run the Inverter without the motor. • Check the motor for a phase-to-phase short. • Verify the accel/decel times (C1-□□). • Check the Inverter for a phase-to-phase short at the output.
OH Heatsink Over-temp		○	Heatsink Overheat L8-03 = 0, 1 or 2 and the temperature of the Inverter's cooling fin exceeded the L8-02 value.	<ul style="list-style-type: none"> • Check for dirt build-up on the fans or heatsink. • Reduce the ambient temperature around the drive. • Replace the cooling fan(s).
		○	Inverter's Cooling Fan Stopped L8-03 = 3 or 4 and the temperature of the Inverter's cooling fin exceeded the L8-02 value.	

Display	Alarm	Fault	Meaning	Corrective Actions
OH1 Heatsnk MAX Temp		○	Heatsink Overheat The temperature of the Inverter's heatsink exceeded 105 °C.	<ul style="list-style-type: none"> • Check for dirt build-up on the fans or heat-sink. • Reduce the ambient temperature around the drive. • Replace the cooling fan(s).
			Inverter's Cooling Fan Stopped	
OL1 Motor Overload		○	Motor Overload Detected when L1-01 is set to 1,2 or 3 and the Inverter's I ² t value exceeded the motor overload curve. The overload curve is adjustable using parameter E2-01 (Motor Rated Current), L1-01 (Motor Protection Selection) and L2-02 (Motor Protection Time Constant)	<ul style="list-style-type: none"> • Recheck the cycle time and the size of the load as well as the accel/decel times (C1-□□). • Check the V/f characteristics (E1-□□). • Check the setting of Motor Rated Current Setting (E2-01).
OL2 Inv Overload		○	Inverter Overload The Inverter output current exceeded the Inverters's overload capability	<ul style="list-style-type: none"> • Recheck the cycle time and the size of the load as well as the accel/decel times (C1-□□). • Check the V/f Characteristics (E1-□□). • Check if the inverter rated current matches the motor rated current.
OV DC Bus Overvolt	○ (only in stop condition)	○	The DC bus voltage has exceeded the overvoltage detection level. Default detection levels are: 200 V class: 410 VDC 400 V class: 820 VDC	<ul style="list-style-type: none"> • Increase the deceleration time (C1-02/04) or connect a braking option. • Check the power supply and decrease the voltage to meet the inverter's specifications. • Check the braking chopper / resistor.
PF Input Phase Loss		○	Input Phase Loss Too big DC bus voltage ripple. Only detected when L8-05=1 (enabled)	<ul style="list-style-type: none"> • Tighten the input terminal screws • Check the power supply voltage
PUF DC Bus Fuse Open		○	DC Bus Fuse Open The fuse in the main circuit is blown. Warning: Never run the Inverter after replacing the DC bus fuse without checking for shorted components.	<ul style="list-style-type: none"> • Check the motor and the motor cables for short circuits or insulation failures (phase-to-phase). • Replace the inverter after correcting the fault.
UV1 DC Bus Under-volt	○ (only in stop condition)	○	The DC bus voltage is below the Undervoltage Detection Level (L2-05). The default settings are: 200V class: 190 VDC 400 V class: 380 VDC	<ul style="list-style-type: none"> • Check the input voltage. • Check the wiring of the input terminals. • Check the input voltage and the wiring of the input terminals. • Extend the settings in C1-01/03
UV2 CTL PS Under-volt		○	Main Circuit MC Operation Failure No MC response during Inverter operation.	Replace the Inverter.
		○	Control Power Supply Undervoltage Undervoltage of the control circuit while the Inverter was running.	<ul style="list-style-type: none"> • Remove all connection to the control terminals and cycle the power to the Inverter. • Replace the Inverter.

◆ Operator Programming Errors

An Operator Programming Error (OPE) occurs when two or more parameter related to each other are set inappropriately or an individual parameter setting is incorrect. The Inverter does not operate until the parameter setting is corrected; however, no other alarm or fault output will occur. If an OPE occurs, change the related parameter by checking the cause shown in the table below. When an OPE error is displayed, press the ENTER key to see U1-34 (OPE Detected). This monitor displays the parameter that is causing the OPE error.

Table 6 List of Operator Programming Errors

Display	Meaning	Corrective Actions
OPE01 kVA Selection	Inverter kVA Setting Error	Enter the correct kVA setting in o2-04.
OPE02 Limit	Parameter Setting is out of its range	Verify the parameter settings.

Display	Meaning	Corrective Actions
OPE03 Terminal	Multi-function Input Selection Error One of the following errors has been made in the multi-function input (H1-01 to H1-05) settings: <ul style="list-style-type: none"> • Duplicate functions were selected. • UP/DOWN command (setting 10 and 11) were not set simultaneously. • The UP/DOWN commands (10 and 11) and Accel/ decel ramp hold (A) were set at the same time. • More than one of the Speed Search inputs (61, 62, 64) were set simultaneously. • External Baseblock NO (8) and External Baseblock NC (9) were set at the same time. 	Verify the parameter settings in H1-□□
OPE03 Terminal	<ul style="list-style-type: none"> • The UP/DOWN commands (10 and 11) were selected while PI Control (b5-01) was enabled. • The Emergency Stop Command NO and NC were set at the same time. • Motor Preheat (60) and Motor Preheat 2 (80) were set simultaneously. • Emergency Override FWD (81) and Emergency Override REV (82) are set simultaneously. 	Verify the parameter settings in H1-□□
OPE05 Sequence Select	RUN/Reference Command Selection Error The Reference Source Selection b1-01 and/or the RUN Source Selection parameter b1-02 are set to 3 (option board) but no option board is installed.	<ul style="list-style-type: none"> • Verify that the board is installed. Remove the power supply and re-install the option board again • Recheck the setting of b1-01 and b1-02.
OPE09 PI Selection	PI Control Setup Error The following settings have been made at the same time. <ul style="list-style-type: none"> • b5-01 (PI Control Mode Selection) has been set to a value different from 0. • b5-15 (PI Sleep Function Operation Level) has been set to a value different from 0. • b1-03 (Stopping Method Selection) has been set to 2 or 3. 	Check the settings of parameters b5-01, b5-15 and b1-03.
OPE10 V/f Ptrn Setting	V/f Parameter Setting Error	Check parameters (E1-□□). A frequency/voltage value may be set higher than the maximum frequency/voltage.

◆ Autotuning Faults

Autotuning faults are shown below. When the following faults are detected, the fault is displayed on the digital operator and the motor coasts to stop. No fault or alarm outputs will be operated.

Table 7 List of Autotuning Faults

Display	Meaning	Corrective Actions
Er - 01 Fault	Motor data fault	<ul style="list-style-type: none"> • Check the input data. • Check the Inverter and motor capacity. • Check the motor rated current setting.
Er - 02 Minor Fault	Alarm	<ul style="list-style-type: none"> • Check the input data. • Check wiring and the machine. • Check the load.
Er - 03 STOP key	STOP key input	-
Er - 04 Resistance	Line-to-Line Resistance Fault <ul style="list-style-type: none"> • Autotuning could not be completed in the specified time • The autotuning result is outside the parameter setting range 	<ul style="list-style-type: none"> • Check the input data. • Check the motor wiring.
End - 3 Rated FLA Alm	Rated Current Setting Alarm Displayed after auto-tuning is complete During auto-tuning, the measured value of motor rated current (E2-01) was higher than the set value.	Check the motor rated current value.

E7Z Kurzanleitung

Inhaltsverzeichnis

Warnhinweise	DE-2
◆ Sicherheitshinweise und -vorschriften	DE-3
◆ Elektromagnetische Verträglichkeit	DE-4
Installation	DE-5
◆ Mechanische Installation	DE-5
◆ Elektrischer Anschluss	DE-7
◆ Leistungsklemmen	DE-8
◆ Verdrahtung der Spannungsversorgung	DE-11
Bedienung über die Tastatur	DE-16
◆ Anzeige der digitalen Bedienkonsole	DE-16
Einschalten und Grundparameter-Einstellungen ...	DE-17
◆ Inbetriebnahme	DE-17
◆ Vor dem Einschalten	DE-18
◆ Anzeige nach dem Einschalten	DE-18
◆ Autotuning für Wicklungswiderstand	DE-18
Anwenderparameter	DE-19
Fehlerbehebung	DE-23
◆ Programmierfehler	DE-24
◆ Autotuning-Fehler	DE-25



ACHTUNG

Solange die Versorgungsspannung eingeschaltet ist, dürfen weder Kabel an- oder abgeklemmt werden, noch dürfen Signalprüfungen durchgeführt werden.

Der Zwischenkreis des Varispeed E7 bleibt auch dann geladen, wenn die Spannungsversorgung unterbrochen wurde. Trennen Sie den Frequenzumrichter vor Ausführung von Wartungsarbeiten von der Spannungsversorgung, um einen elektrischen Schlag zu vermeiden. Warten Sie anschließend mindestens 5 Minuten, bis alle LEDs erloschen sind. Führen Sie an keinem Teil des Varispeed Spannungsfestigkeitstests durch. Der Frequenzumrichter enthält Halbleiter, die für derart hohe Spannungen nicht ausgelegt sind.

Die digitale Bedienkonsole darf nicht bei eingeschalteter Spannungsversorgung abgebaut werden. Berühren Sie keine Platinen, wenn der Frequenzumrichter an die Spannungsversorgung angeschlossen ist.

Schließen Sie niemals LC/RC-Entstörfilter, Kondensatoren oder Überspannungsschutzgeräte an den Ein- oder Ausgang des Frequenzumrichters an, die nicht speziell für den Frequenzumrichter vorgesehen sind..

Um unnötige Überstromfehler usw. zu vermeiden, müssen die Signalkontakte aller Schütze oder Schalter, die zwischen Frequenzumrichter und Motor geschaltet sind, in die Steuerungslogik (z. B. Endstufensperre) eingebunden sein.

Das ist zwingend erforderlich!

Dieses Handbuch muss vor Anschluss und Inbetriebnahme des Frequenzumrichters sorgfältig durchgelesen werden. Alle Sicherheitshinweise und Anleitungen müssen beachtet werden.

Der Frequenzumrichter muss gemäß Installationsanleitungen in diesem Handbuch mit geeigneten Netzfiltern betrieben werden. Zudem müssen alle Abdeckungen geschlossen und alle Klemmen abgedeckt sein.

Nur dann ist ein angemessener Schutz gesichert. Geräte mit sichtbaren Beschädigungen oder fehlenden Teilen dürfen nicht angeschlossen oder in Betrieb genommen werden. Der Betreiber der Geräte ist für alle Verletzungen oder Geräteschäden verantwortlich, die aus Nichtbeachtung der Warnhinweise in diesem Handbuch entstehen.

◆ Sicherheitshinweise und -vorschriften

■ Allgemein

Lesen Sie diese Sicherheitshinweise und -vorschriften vor Installation und Inbetriebnahme dieses Frequenzumrichters. Lesen Sie auch alle Warnhinweise, die auf dem Frequenzumrichter angebracht sind, und achten Sie darauf, dass diese nicht beschädigt oder entfernt werden.

Während des Betriebs können unter Spannung stehende oder heiße Bauteile zugänglich sein. Durch Entfernen von Verkleidungsteilen, der digitalen Bedienkonsole oder Klemmenabdeckungen bzw. durch Öffnen der Tür des Frequenzumrichters besteht im Falle einer fehlerhaften Installation oder Bedienung das Risiko von ernsthaften Verletzungen. Durch die Tatsache, dass Frequenzumrichter drehende mechanische Teile von Maschinen steuern, können weitere Gefahren entstehen.

Den Anleitungen in diesem Handbuch muss Folge geleistet werden. Installation, Bedienung oder Wartung darf nur durch qualifiziertes Personal erfolgen. Aus Sicherheitsgründen sind als qualifizierte Mitarbeiter nur solche anzusehen, die mit der Installation, dem Starten, der Bedienung und der Wartung von Frequenzumrichtern vertraut sind und für diese Arbeiten entsprechende Qualifikationen besitzen. Ein sicherer Betrieb dieser Geräte ist nur möglich, wenn diese auch für den vorgesehenen Zweck eingesetzt werden.

Der Zwischenkreis kann nach Abschalten der Versorgungsspannung des Frequenzumrichters noch ca. 5 Minuten lang unter Spannung stehen. Aus diesem Grund muss diese Zeitspanne vor dem Öffnen von Geräteabdeckungen abgewartet werden. Alle Klemmen des Hauptstromkreises können noch gefährliche Spannungen führen.

Kinder und andere nicht autorisierte Personen dürfen keinen Zugang zu Frequenzumrichtern haben.

Bewahren Sie diese Sicherheitshinweise und Anleitungen griffbereit auf, und lassen Sie sie allen Personen zukommen, die Zugang zu den Frequenzumrichtern haben.

■ Vorgesehener Verwendungszweck

Frequenzumrichter sind für den Einbau in elektrische Systeme oder Maschinen gedacht.

Ihr Einbau in Maschinen oder Systeme muss folgenden Produktstandards der Niederspannungsrichtlinie entsprechen:

EN 50178, 1997-10, Ausrüstung von Starkstromanlagen mit elektronischen Betriebsmitteln

EN 60204-1, 1997-12 Sicherheit von Maschinen - Elektrische Ausrüstung von Maschinen

Teil 1: Allgemeine Anforderungen (IEC 60204-1: 1997)/

Bitte beachten Sie Folgendes: Enthält Ergänzungen von September 1998

EN 61010-1, A2, 1995 Sicherheitsbestimmungen für elektrische Mess-, Steuer-, Regel- und Laborgeräte (IEC 950, 1991 + A1, 1992 + A2, 1993 + A3, 1995 + A4, 1996, modifiziert)

Die CE-Kennzeichnung erfolgt gemäß EN 50178 bei Verwendung der in diesem Handbuch spezifizierten Netzfilter und dem Befolgen der entsprechenden Installationsanleitungen.

■ Transport und Lagerung

Die Anleitungen für Transport, Lagerung und richtige Handhabung müssen unter Beachtung der technischen Daten befolgt werden.

■ Installation

Installieren und kühlen Sie Frequenzumrichter wie in der Dokumentation spezifiziert. Die Kühlluft muss in der angegebenen Richtung strömen. Der Frequenzumrichter darf dementsprechend nur in der spezifizierten Position (z. B. aufrecht) betrieben werden. Halten Sie die angegebenen Freiräume ein. Schützen Sie die Frequenzumrichter gegen unzulässige Lasten. Bauteile dürfen nicht verbogen werden. Isolationsabstände dürfen nicht geändert werden. Berühren Sie keine elektronischen Bauteile oder Kontakte, um Beschädigungen durch statische Elektrizität zu vermeiden.

■ Elektrischer Anschluss

Führen Sie jegliche Arbeiten an unter Spannung stehenden Geräten gemäß der gültigen Sicherheits- und Unfallverhütungsvorschriften durch. Führen Sie die elektrische Installation in Übereinstimmung mit den geltenden Vorschriften durch. Insbesondere müssen Sie die Anweisungen zur Sicherstellung der elektromagnetischen Verträglichkeit (EMV), z. B. Abschirmung, Erdung und Verlegung von Kabeln, beachten. Das gilt auch für Geräte, die das CE-Zeichen tragen. Es liegt in der Verantwortung des Herstellers von System oder Maschine, die Konformität mit den EMV-Richtlinien zu gewährleisten.

Wenden Sie sich an Ihren Lieferanten oder die Omron Yaskawa Motion Control-Vertretung, wenn Fehlerstrom-Schutzschalter in Verbindung mit Frequenzumrichtern Verwendung finden.

Für bestimmte Systeme kann es erforderlich sein, gemäß den gültigen Sicherheits- und Unfallverhütungsvorschriften zusätzliche Überwachungs- und Sicherheitseinrichtungen zu verwenden. An der Hardware des Frequenzumrichters dürfen keine Änderungen vorgenommen werden.

■ Hinweise

Die Frequenzumrichter Varispeed E7 IP54 sind gemäß CE zertifiziert.

◆ Elektromagnetische Verträglichkeit

■ Einführung

Dieses Handbuch wurde erstellt, um Systemhersteller, die OMRON YASKAWA Motion Control (OYMC)-Frequenzumrichter verwenden, bei der Konstruktion und Installation von elektrischen Schaltgeräten zu unterstützen. Zudem werden die zur Einhaltung der EMV-Richtlinie erforderlichen Maßnahmen beschrieben. Die Anleitungen zur Installation und Verdrahtung in diesem Handbuch müssen deshalb befolgt werden.

Unsere Produkte sind durch autorisierte Stellen unter Anwendung der nachstehend aufgelisteten Normen getestet.

Produktnorm: EN 61800-3:1996, EN 61800-3; A11:2000

■ Maßnahmen zur Sicherstellung der Konformität von OYMC-Frequenzumrichtern mit der EMV-Richtlinie

OYMC-Frequenzumrichter müssen nicht unbedingt in einem Schaltschrank eingebaut werden.

Detaillierte Anleitungen für alle möglichen Installationsarten können nicht gegeben werden. Dieses Handbuch muss daher auf allgemeine Leitlinien begrenzt bleiben.

Alle elektrischen Geräte produzieren Funkstörungen und leitungsgeführte Störungen mit unterschiedlichen Frequenzen. Die Kabel leiten diese Störungen wie eine Antenne an die Umgebung weiter.

Der Anschluss eines elektrischen Geräts (z. B. Frequenzumrichter) ohne Netzfilter an ein Stromnetz kann deshalb bewirken, dass HF- oder NF-Störungen in das Stromnetz gelangen (ein Netzfilter ist in den Frequenzumrichter integriert).

Die grundlegenden Gegenmaßnahmen sind die räumliche Trennung der Kabel von Steuer- und Leistungskomponenten, ordnungsgemäße Erdung sowie die Abschirmung von Kabeln.

Für eine Niedrigimpedanz-Erdung von HF-Störungen ist eine große Kontaktfläche erforderlich. Die Verwendung von Erdungsbändern anstelle von Kabeln wird ausdrücklich empfohlen.

Des Weiteren müssen Kabelabschirmungen mit entsprechenden Erdungsschellen verbunden werden.

■ Verlegen von Kabeln

Maßnahmen gegen leitungsgebundene Störungen:

Der Varispeed E7 IP54 ist mit einem internen EMV-Filter ausgestattet. Um die optimale Performance des Filters sicherzustellen, müssen Sie die Montageanleitungen für den Anschluss der Abschirmungen beachten. Verwenden Sie ein Motorkabel mit gut geerdeter Abschirmung.

- Verwenden Sie ein Kabel mit geflochtener Abschirmung.
- Erden Sie die größtmögliche Fläche der Abschirmung. Es ist ratsam, die Abschirmung durch Verbinden des Kabels mit der Erdungsplatte durch Metallschellen zu erden.
- Erden Sie die Kabelabschirmung an beiden Enden und erden Sie den Motor an der Maschine.

◆ Mechanische Installation

■ Auspacken des Frequenzumrichters

Überprüfen Sie nach dem Auspacken des Frequenzumrichters folgende Punkte.

Eigenschaft	Vorgehensweise
Wurde das richtige Frequenzumrichtermodell geliefert?	Prüfen Sie die Modellnummer auf dem Typenschild an der Seite des Frequenzumrichters.
Ist der Frequenzumrichter irgendwie beschädigt?	Überprüfen Sie das gesamte Gehäuse des Frequenzumrichters auf um Kratzer oder sonstige Transportschäden.
Sind Schrauben oder andere Bauteile lose?	Verwenden Sie einen Schraubendreher oder andere Werkzeuge, um alle Schrauben und Bauteile auf festen Sitz zu prüfen.

Überprüfen Sie auch, ob folgende Teile im Lieferumfang des IP54 Frequenzumrichters enthalten sind.

Teilebezeichnung	Menge
Kabelverschraubung (eingangsseitig)	1
Kabelverschraubung (Motorleistung)	1
Kabelverschraubung (Steuerung)	1
Kabelverschraubung (Feldbus)	1
Türschlüssel	1
Blindstopfen (Steuerkabelverschraubung)	1
Blindstopfen (Feldbuskabelverschraubung)	1

Wenn Sie bei den oben genannten Punkten Unregelmäßigkeiten finden, teilen Sie dies sofort Ihrem Händler oder Ihrer Omron Yaskawa Motion Control-Vertretung mit.

■ Überprüfen des Installationsortes

Beachten Sie bei der Installation des Frequenzumrichters die folgenden Sicherheitshinweise.

- Installieren Sie den Frequenzumrichter an einem sauberen Ort, der frei von Ölnebeln und Staub ist.
- Bei Installation oder Betrieb des Frequenzumrichters müssen Sie besonders darauf achten, dass kein Metallpulver, Öl, Wasser oder sonstige Fremdstoffe in den Frequenzumrichter gelangen.
- Installieren Sie den Frequenzumrichter nicht auf brennbarem Material, wie z. B. Holz.
- Installieren Sie den Frequenzumrichter an einem Ort, der frei von radioaktiven oder brennbaren Materialien ist.
- Installieren Sie den Frequenzumrichter an einem Ort, der frei von schädlichen Gasen oder Flüssigkeiten ist.
- Installieren Sie den Frequenzumrichter an einem Ort ohne übermäßige Schwingungen.
- Installieren Sie den Frequenzumrichter an einem Ort, der frei von Chloriden ist.
- Installieren Sie den Frequenzumrichter an einem Ort ohne direkte Sonneneinstrahlung.
- Die IP54 Frequenzumrichter bieten Schutz vor nicht leitenden Stäuben und vor Spritzwasser aus allen Richtungen. Vermeiden Sie das Auftreten von Kondensation im Inneren des Frequenzumrichters. Achten Sie darauf, dass bei der Verdrahtung von IP54 Frequenzumrichtern kein Wasser oder Staub in diesen eindringt.
- Stellen Sie sicher, dass die Türschlösser geschlossen sind, bevor Sie den Frequenzumrichter transportieren. Halten Sie den Frequenzumrichter beim Transport stets am Gehäuse, keinesfalls an der Tür oder den Kabelverschraubungen. Sind die Türschlösser unverschlossen oder wird der Frequenzumrichter beim Transport an der Tür oder den Kabelverschraubungen gehalten, kann der Hauptkorpus des Frequenzumrichters fallen, wodurch es zu Verletzungen kommen kann.
- Achten Sie darauf, dass die Kabelverschraubungen beim Anheben nicht beschädigt werden. Bei beschädigten Kabelverschraubungen besteht die Gefahr einer Beschädigung des Frequenzumrichters durch das Eindringen von Wasser oder Staub. Verschließen Sie nicht verwendete Kabeleinlässe (Steuerkabel, Feldbuskabel) mit Blindstopfen.
- Achten Sie darauf, dass die Kabelverschraubungen bei der Installation des Frequenzumrichters nicht beschädigt werden.

■ Ausrichtung bei der Installation

Installieren Sie den Frequenzumrichter stets aufrecht, damit die Kühlung nicht beeinträchtigt wird. Bei der Installation des Frequenzumrichters müssen immer die nachfolgend angegebenen Einbaustände vorhanden sein, um eine Wärmeabgabe durch Konvektion zu ermöglichen.

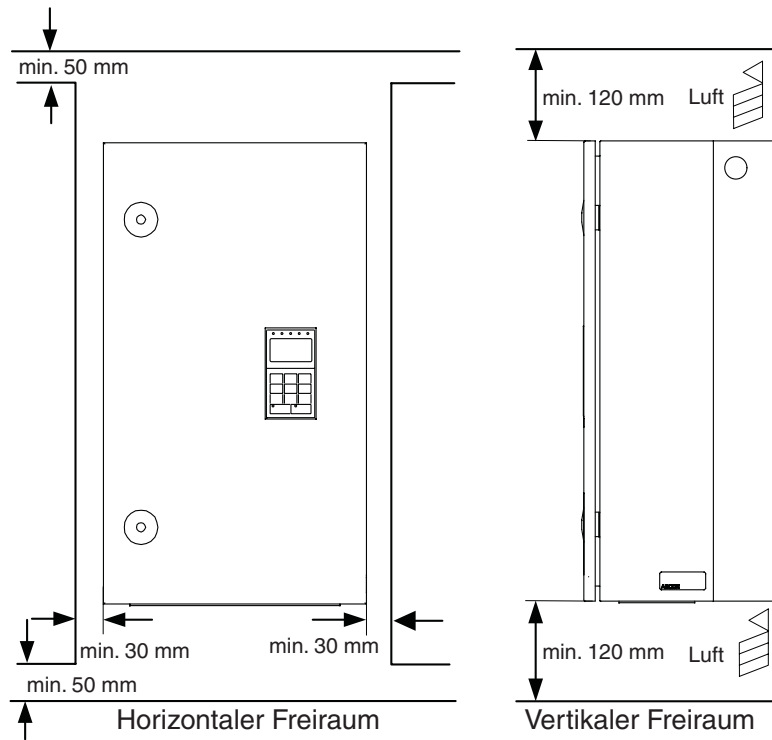


Abb 1 Einbauraum

◆ Elektrischer Anschluss

■ Verdrahten des Frequenzumrichters

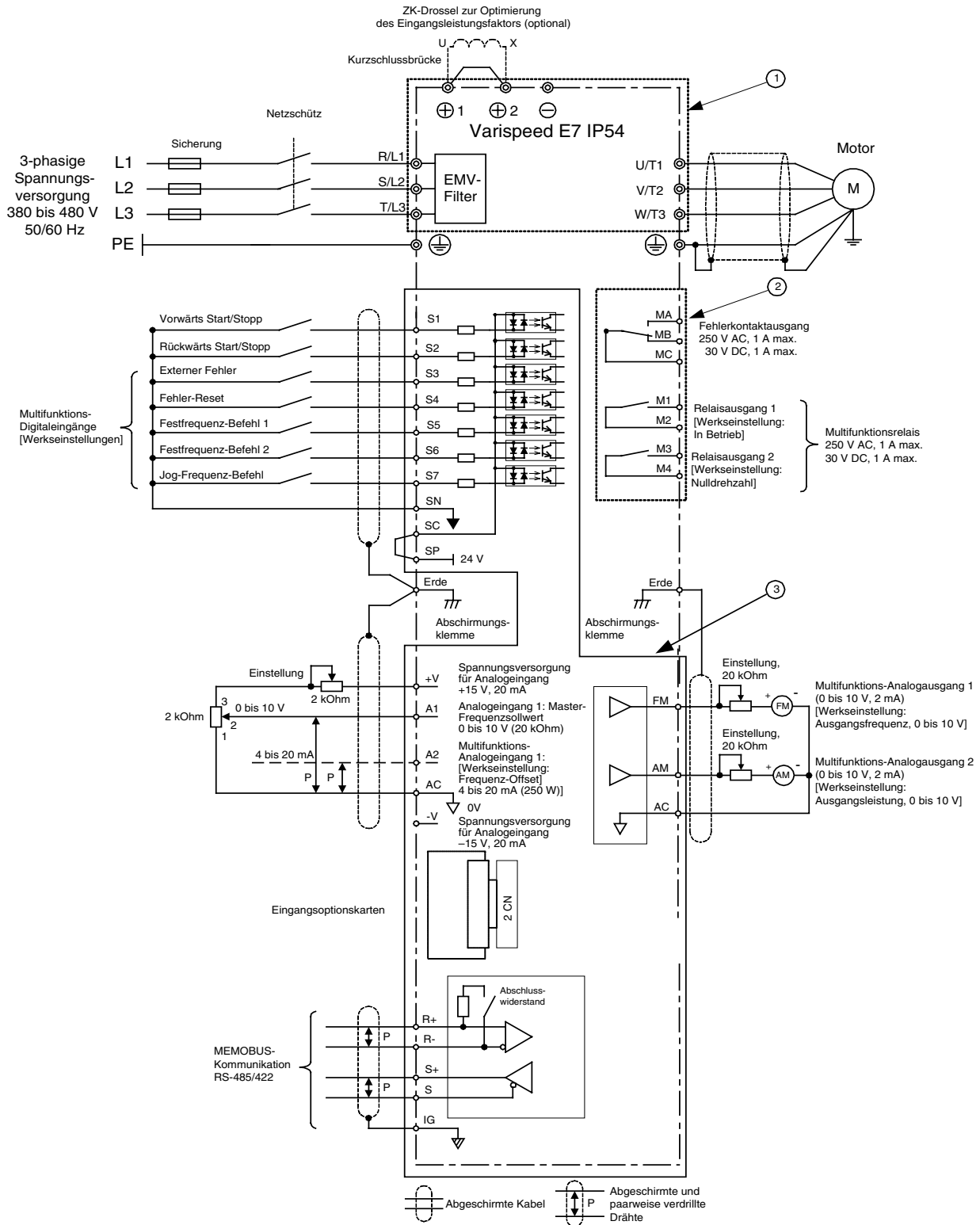


Abb 2 Schaltplan

◆ Leistungsklemmen

Die Funktionen der Leistungsklemmen werden entsprechend der Klemmensymbole in [Tabelle 1](#) zusammengefasst. Verdrahten Sie die Klemmen ordnungsgemäß für den gewünschten Zweck.

Tabelle 1 Funktionen der Leistungsklemmen (200- und 400-V-Klasse)

Funktion	Klemmensymbol	Modell: CIMR-E7Z□□□□
Spannungsversorgung	R/L1, S/L2, T/L3	47P5 bis 4055
FrequenzumrichterAusgänge	U/T1, V/T2, W/T3	47P5 bis 4055
Zwischenkreis-Klemmen	⊕1, ⊖	47P5 bis 4055
DC-Drossel-Anschluss	⊕1, ⊕2	47P5 bis 4018
Anschluss für Bremsinheit	⊕3, ⊖	47P5 bis 4055
Masse	⊖	47P5 bis 4055

■ Position der Leistungsklemmen

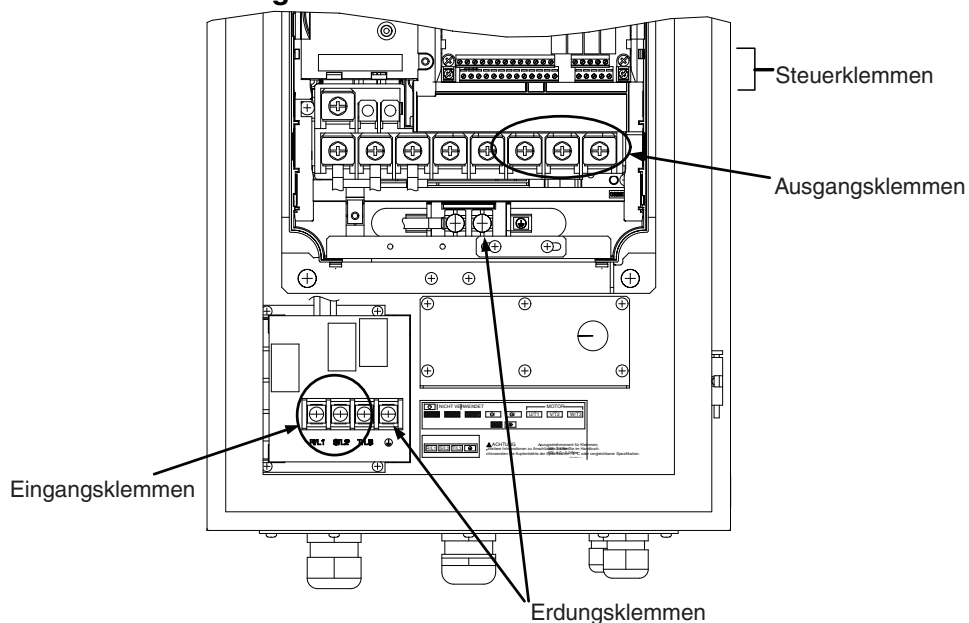


Abb 3 Anordnung der Klemmen von Frequenzumrichtern mit 7,5 bis 30 kW

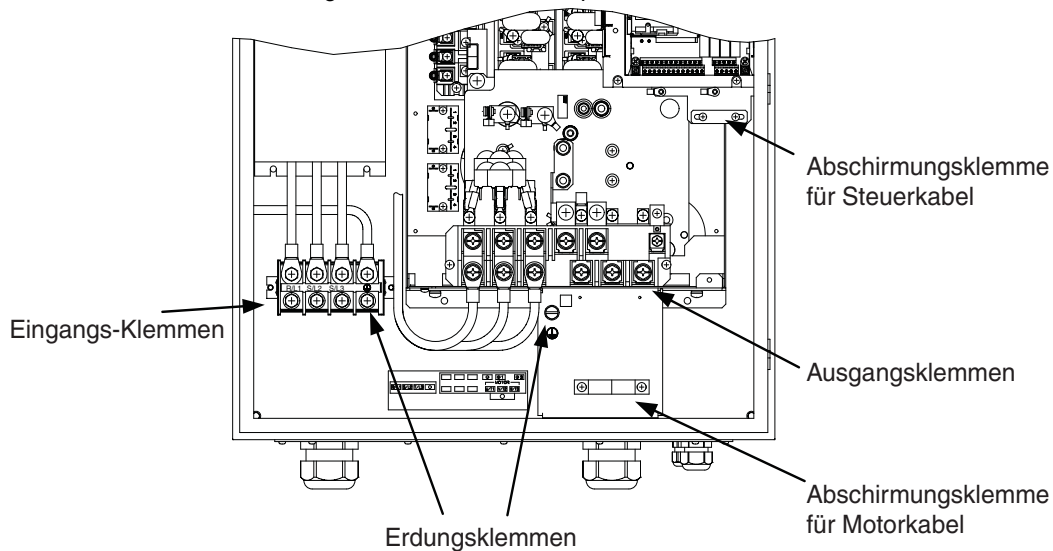


Abb 4 Anordnung der Klemmen von Frequenzumrichtern mit 37 bis 55 kW

Steuerklemmen

Abb 5 zeigt die Anordnung der Steuerklemmen. Die Funktionen der Steuerklemmen sind in [Tabelle 2](#) aufgeführt. Verwenden Sie alle Klemmen bestimmungsgemäß.

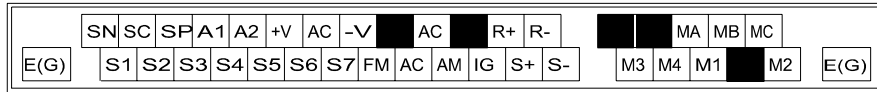


Abb 5 Anordnung der Steuerklemmen

Tabelle 2 Steuerklemmen mit Standardeinstellungen

Typ	Nr.	Signalbezeichnung	Funktion		Spezifikation
Digitale Eingangssignale	S1	Vorwärts-Start/Stop-Befehl	Vorwärts-Start bei EIN, Stopp bei AUS.		24 V DC, 8 mA Optokoppler-Isolation
	S2	Rückwärts-Start/Stop-Befehl	Rückwärts-Start bei EIN, Stopp bei AUS.		
	S3	Externer Fehlereingang ^{*1}	Fehler bei EIN.	Funktionen werden durch die Einstellungen H1-01 bis H1-05 ausgewählt.	
	S4	Fehlerrücksetzung ^{*1}	Rücksetzung bei EIN.		
	S5	Festdrehzahlsollwert 1 ^{*1} (Umschaltung Haupt-/Hilfsfrequenzsollwert)	Hilfsfrequenzsollwert bei EIN.		
	S6	Festdrehzahlsollwert 2 ^{*1}	Festfrequenzbefehl 2 bei EIN.		
	S7	Jog-Frequenzsollwert ^{*1}	Jog-Frequenz bei EIN.		
	SC	Bezugspotenzial Digitaleingänge	-		-
	SN	Digitaleingang Neutral	-		-
SP	Spannungsversorgung Digitaleingänge	+24 V DC Spannungsversorgung für Digitaleingänge		24 V DC, max. 250 mA ^{*2}	
Analoge Eingangssignale	+V	15-V-Ausgang	15-V-Versorgungsspannung für analoge Sollwerte		15 V (Max. Strom: 20mA)
	A1	Frequenzsollwert	0 bis +10 V/100 %		0 bis +10 V (20 kΩ)
	A2	Zusatzfrequenzsollwert	Analoger Zusatzfrequenzsollwert; 4 bis 20 mA (250 Ω)	Funktionsauswahl mittels Einstellung von H3-09.	4 bis 20 mA (250 Ohm) 0 bis +10 V (20 kOhm) 0 bis 20 mA (250 Ohm)
	-V	-15-V-Ausgang	-15-V-Versorgungsspannung für analoge Sollwerte		
	AC	Bezugspotenzial für analogen Sollwert	-		-
	Erde	Abschirmung, Anschlusspunkt für optionale Erdungsleiter	-		-
Digitale Ausgangssignale	M1	In Betrieb	Geschlossen während Betrieb	Funktionswahl durch H2-01 und H2-02	Relaiskontakte Kontaktbelastbarkeit: max. 1 A bei 250 V AC max. 1 A bei 30 V DC ^{*3}
	M2	(1 Schließerkontakt)			
	M3	Nullzahl	GESCHLOSSEN, wenn die Ausgangsfrequenz bei Nullzahl-Niveau (b2-01) oder niedriger ist		
	M4	(1 Schließerkontakt)			
	MA	Fehlersignalausgang	Durchgang zwischen MA und MC bei Fehler		
	MB		Kein Durchgang zwischen MB und MC bei Fehler		
MC					
Analoge Ausgangssignale	FM	Ausgangsfrequenz	Analog-Ausgangsfrequenzsignal; 0 bis 10 V; 10 V=FMAX	Funktionswahl durch H4-01	0 bis +10 V, max. ±5 % max. 2 mA
	AC	Bezugspotenzial Analogausgang	-		
	AM	Frequenzrichter-Ausgangsleistung	Analog-Ausgangsleistungssignal; 0 bis 10 V; 10 V=max. zul. Motorleistung	Funktionswahl durch H4-04	

Typ	Nr.	Signalbezeichnung	Funktion	Spezifikation
RS-485/422	R+	MEMOBUS-Kommunikationseingang	Für Zweidraht-RS-485: R+ und S+ sowie R- und S- kurzschließen	Differenzialeingang, PHC-Isolation
	R-			
	S+	MEMOBUS-Kommunikationsausgang		Differenzialeingang, PHC-Isolation
	S-			
	IG	Signal-Bezugspotential		-

- *1. Die Standardeinstellungen sind für die Klemmen S3 bis S7 gegeben. Bei einer Dreidraht-Ansteuerung sind die Standardeinstellungen: Dreidraht-Ansteuerung für S5, Festfrequenz-Befehl 1 für S6 und Festfrequenz-Befehl 2 für S7.
- *2. Verwenden Sie diese Versorgungsspannung nicht zur Versorgung von externen Geräten.
- *3. Bei Ansteuerung einer Blindlast, wie z. B. einer Relaispule mit DC-Spannungsversorgung, muss stets eine Freilaufdiode geschaltet werden (siehe [Abb 6](#))

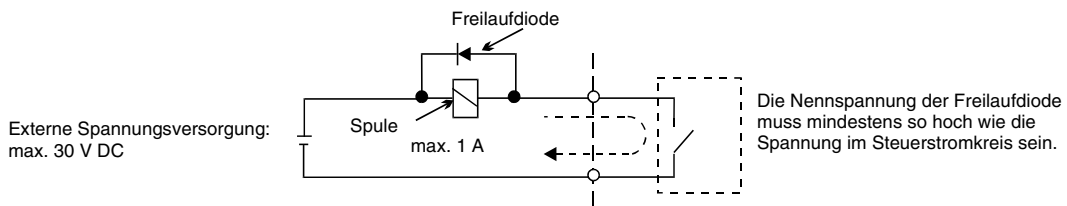


Abb 6 Zwischenschaltung der Freilaufdiode



WICHTIG

1. In [Abb 2](#) ist die Verdrahtung der digitalen Eingänge S1 bis S7 für den Anschluss von Kontakten oder Transistoren gezeigt (0 V Bezugspunkt und NPN-Modus). Dies ist die Standardeinstellung. Für den Anschluss von PNP-Transistoren oder für die Verwendung einer externen 24-V-Spannungsversorgung siehe [Tabelle 3](#).
2. Für Frequenzumrichter mit max. 18,5 kW sind DC-Drosseln optional erhältlich. Entfernen Sie beim Anschluss einer DC-Drossel die Kurzschlussbrücke.

■ NPN/PNP-Auswahl

Die Eingangsklemmenlogik kann zwischen NPN-Betriebsart (0 V Bezugspunkt) und PNP-Betriebsart (+24 V Bezugspunkt) durch Setzen des Jumpers CN5 umgeschaltet werden. Eine externe Spannungsversorgung wird ebenfalls unterstützt, wodurch mehr Auswahl bei den Signaleingangsmethoden geboten wird.

Tabelle 3 NPN/PNP-Modus und Eingangssignale

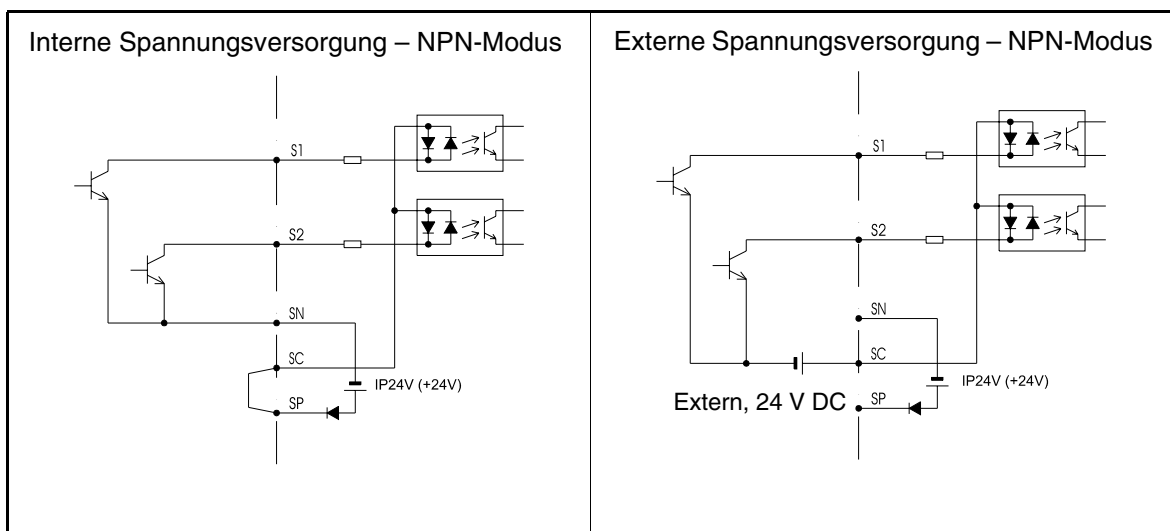
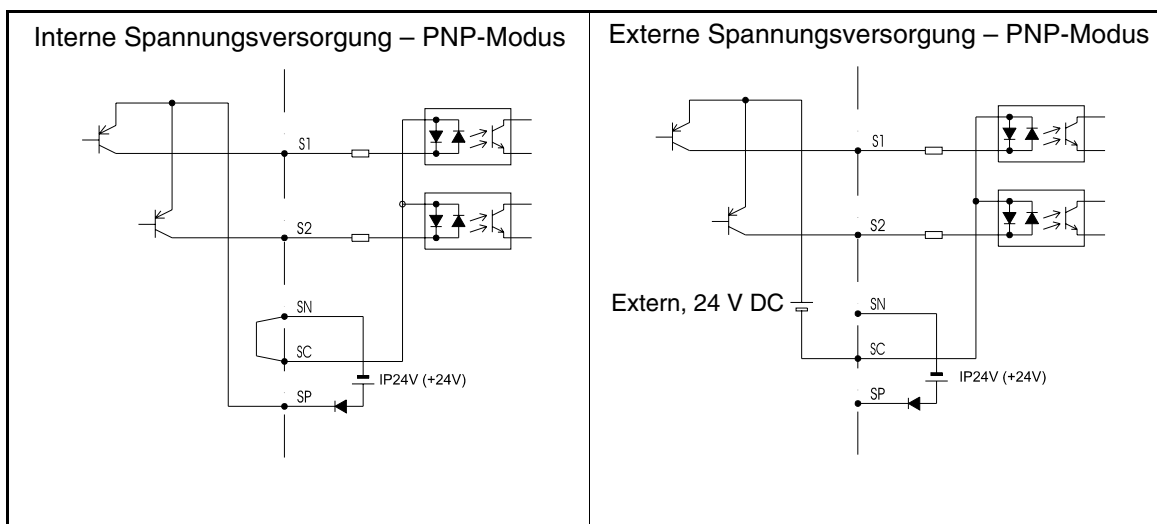


Tabelle 3 NPN/PNP-Modus und Eingangssignale



◆ Verdrahtung der Spannungsversorgung

Installation von Sicherungen

Zum Schutz des Frequenzumrichters wird die Verwendung von Halbleitersicherungen empfohlen, wie sie in der nachstehenden Tabelle aufgeführt sind.

Tabelle 4 Auswahl der Eingangssicherung

Frequenzumrichter-typ	Frequenzumrichter-Nennausgangsstrom (A)	Auswahl der Sicherung			Auswahlbeispiel (Ferraz)		
		Spannung (V)	Strom (A)	I^2t (A ² s)	Produktbezeichnung	Nenn-daten	I^2t (A ² s)
47P5	17	480	30	100~640	A60Q30-2	600V/30A	132
4011	24	480	50	150~1300	A70P50-4	700V/50A	300
4015	31	480	60	400~1800	A70P70-4	700V/70A	590
4018	39	480	70	700~4100	A70P80-4	700V/80A	770
4022	45	480	80	240~5800	A70P80-4	700V/80A	770
4030	60	480	100	500~5800	A70P100-4	700V/100A	1200
4037	75	480	125	750~5800	A70P125-4	700V/125A	1900
4045	91	480	150	920~13000	A70P150-4	700V/150A	2700
4055	112	480	150	1500~13000	A70P200-4	700V/200A	4800

Beachten Sie die folgenden Sicherheitshinweise für die Spannungsversorgungseingänge.

- Bei Anschluss der Netzeingangsklemmen (R/L1, S/L2 und T/L3) an die Spannungsversorgung unter Verwendung eines Kompakt-Schutzschalters ist darauf zu achten, dass der Schutzschalter für den Frequenzumrichter geeignet ist.
- Wenn ein Fehlerstrom-Schutzschalter verwendet wird, sollte er alle vorkommenden Stromarten erkennen können, um eine sichere Fehlerstrom-Erkennung zu gewährleisten.
- Am Eingang des Frequenzumrichters kann ein Schütz oder ein anderes Schaltgerät verwendet werden. Die Spannungsversorgung des Frequenzumrichter sollte höchstens einmal pro Stunde geschaltet werden.
- Die Eingangsphasen (R/S/T) können in jeder beliebigen Reihenfolge angeschlossen werden.
- Wenn der Frequenzumrichter an einen Transformator mit hoher Leistung (600 kW oder mehr) angeschlossen wird oder ein Phasenschieber-Kondensator in der Nähe geschaltet wird, kann es zu einer Spannungserhöhung im Eingangskreis kommen, wodurch der Frequenzumrichter Schaden nehmen kann. Als Gegenmaßnahme muss eine optionale AC-Drossel an der Eingangsseite des Frequenzumrichters oder eine DC-Drossel an die Anschlussklemmen für die DC-Drossel angeschlossen werden.
- Verwenden Sie einen Überspannungsableiter oder eine Diode, wenn induktive Lasten in der Nähe des Frequenzumrichter geschaltet werden. Zu induktiven Lasten gehören Schütze, elektromagnetische Relais, Magnetventile, Magnetspulen und Magnetbremsen.

■ Verdrahtung der Ausgangsseite des Leistungskreises

Beachten Sie die folgenden Sicherheitshinweise für die Verdrahtung der Ausgangsseite.

- Schließen Sie die Versorgungsspannung auf keinen Fall an die Ausgangsklemmen des Frequenzumrichters an. Der Frequenzumrichter könnte dadurch beschädigt werden.
- Ausgangsklemmen dürfen niemals kurzgeschlossen oder geerdet werden. Der Frequenzumrichter könnte dadurch beschädigt werden.
- Verwenden Sie keine Phasenschieber-Kondensatoren. Der Frequenzumrichter und die Kondensatoren könnten dadurch beschädigt werden.
- Prüfen Sie die Steuersequenz, um sicherzustellen, dass das Schütz zwischen Frequenzumrichter und Motor während des Betriebs des Frequenzumrichters nicht ein- oder ausgeschaltet wird. Beim Einschalten des Schützes, während der Frequenzumrichter in Betrieb ist, wird ein hoher Einschaltstrom erzeugt werden, wodurch der Überstromschutz des Frequenzumrichters auslösen kann.

■ Erdungsanschluss

Beachten Sie die folgenden Sicherheitshinweise für den Erdungsanschluss.

- Verwenden Sie den Erdungsleiter nicht noch für andere Geräte, wie z. B. Schweißgeräte oder Elektrowerkzeuge.
- Verwenden Sie stets einen Erdungsleiter, der den technischen Normen für Elektrogeräte entspricht, und halten Sie die Länge des Erdungsleiters so kurz wie möglich. Der Frequenzumrichter erzeugt einen Leckstrom. Wenn der Abstand zwischen der Erdungselektrode und der Erdungsklemme zu groß ist, wird das Potenzial an der Erdungsklemme des Frequenzumrichters instabil.
- Bei Einsatz von mehr als einem Frequenzumrichter darf der Erdungsleiter keine Schleife bilden.

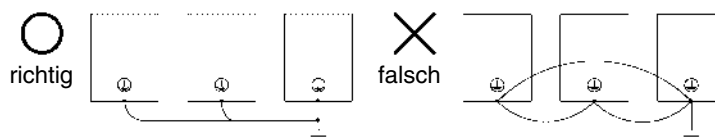


Abb 7 Verdrahtung der Erdung

■ Sicherheitshinweise für die Verdrahtung der Steuerstromkreise

Beachten Sie bei der Verdrahtung der Steuerstromkreise die folgenden Sicherheitshinweise.

- Verlegen Sie die Leitungen der Steuerstromkreise getrennt von den Leitungen des Leistungskreises (Klemmen R/L1, S/L2, T/L3, B1, B2, \ominus , $\oplus 1$, $\oplus 2$ und $\oplus 3$) und anderen Hochspannungs- und Starkstromleitungen.
- Verlegen Sie die Leitungen der Steuerklemmen MA, MB, MC, M1, M2, M3 und M4 (Relaisausgänge) getrennt von den Leitungen anderer Steuerklemmen.
- Wenn eine optionale externe Spannungsversorgung verwendet wird, muss es sich um eine UL-gelistete Spannungsversorgung der Klasse 2 handeln.
- Verwenden Sie für die Steuerstromkreise paarweise verdrehte oder abgeschirmte Kabel, um Betriebsfehler zu vermeiden.
- Erden Sie die Kabelabschirmung mit der größtmöglichen Kontaktfläche zwischen Abschirmung und Erdung.
- Kabelabschirmungen müssen an beiden Kabelenden geerdet sein.

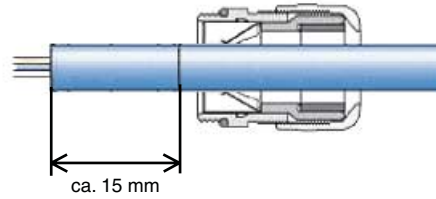
■ Installation der Leistungskabelverschraubungen

Bei der Verdrahtung des Motorkabels bei IP54 Frequenzumrichtern sind spezielle Maßnahmen zu ergreifen. Die Frequenzumrichter kleinerer Leistung sind mit einer EMV-Kabelverschraubung ausgestattet, die ein problemloses Erden der Abschirmung des Motorkabels ermöglicht.

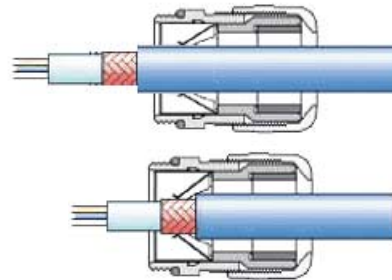
Installation des Motorkabels bei IP54 Frequenzumrichtern mit einer Leistung von 7,5 bis 30 kW:

- Standardvorgehensweise bei Kabeln mit Innenmantel

Nehmen Sie ca. 14 mm vom Rand des Mantels einen rund um den Mantel führenden Einschnitt vor, aber nehmen Sie das Mantelstück noch nicht ab. Führen Sie das Kabel durch die Kabelverschraubung.



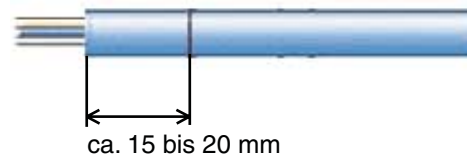
Ziehen Sie das abgetrennte Mantelstück ab, und trennen Sie einen Teil der Abschirmung ab. Ziehen Sie das Kabel dann so weit zurück, dass die Abschirmung einwandfreien Kontakt mit den Federn der Kabelverschraubung hat.



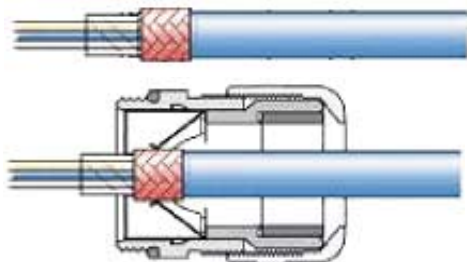
Drehen Sie die Kabelverschraubung zu.

- Vorgehensweise bei dünnen Kabeln ohne Innenmantel:

Nehmen Sie ca. 15 bis 20 mm vom Rand des Mantels einen rund um den Mantel führenden Einschnitt vor, und nehmen Sie das Mantelstück ab.



Ziehen Sie das äußere Abschirmgeflecht über den Außenmantel. Die innere Abschirmung muss beibehalten werden, um das Kabel leichter durch die Kabelverschraubung führen zu können.

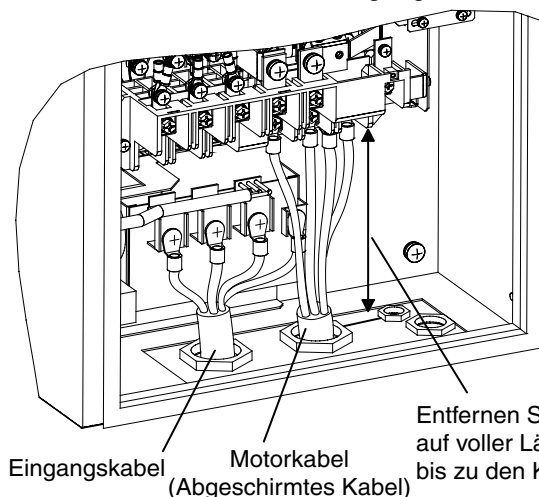


Führen Sie das Kabel durch die Kabelverschraubung, bis die Abschirmung einwandfreien Kontakt mit den Federn der Kabelverschraubung hat. Drehen Sie die Kabelverschraubung dann zu.

Hinweis: Um die Einhaltung der EMV-Richtlinien sicherzustellen, muss das abgeschirmte Kabel fest von der Metall-Kabelverschraubung umschlossen sein. Kontrollieren Sie die Kabellänge und die Übereinstimmung des Kabels mit den Klemmen, bevor Sie die Metall-Kabelverschraubung schließen.

Spezielle Vorgehensweise bei IP54 Frequenzumrichtern von 22 und 30 kW

Entfernen Sie das Abschirmgeflecht des Motorkabels auf voller Länge von der Durchführung bis zu den Klemmen, um ein Kurzschließen der Eingangsklemmen oder des Filters auszuschließen.



Eingangskabel

Motorkabel
(Abgeschirmtes Kabel)

Entfernen Sie das Abschirmgeflecht
auf voller Länge von der Durchführung
bis zu den Klemmen

Abb 8 Motorkabelabschirmung bei Frequenzumrichtern von 22 und 30 kW

Installation des Motorkabels bei IP54 Frequenzumrichtern von 37 bis 55 kW

Installieren Sie das abgeschirmte Motorkabel wie in der folgenden Abbildung dargestellt. Entfernen Sie den Außenmantel und klemmen Sie das Abschirmgeflecht mithilfe der Erdungsschelle fest.

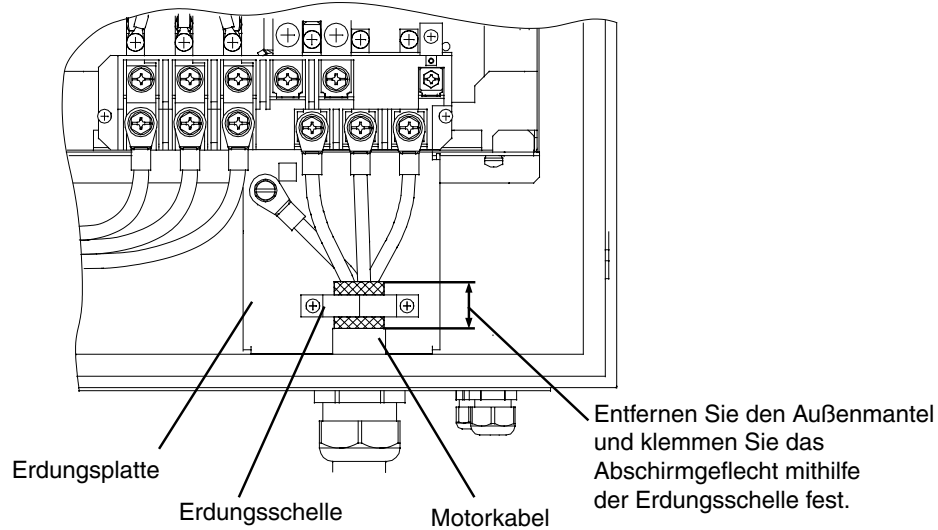


Abb 9 Motorerdungsschelle bei Frequenzumrichtern von 37 bis 55 kW

■ Erdung der Steuerkabelabschirmung bei IP54 Frequenzumrichtern

IP54 Frequenzumrichter sind mit Erdungsschellen ausgestattet, um eine ordnungsgemäße Abschirmung sicherzustellen. [Abb 10](#) und [Abb 11](#) zeigen, wo sich die Erdungsschellen befinden.

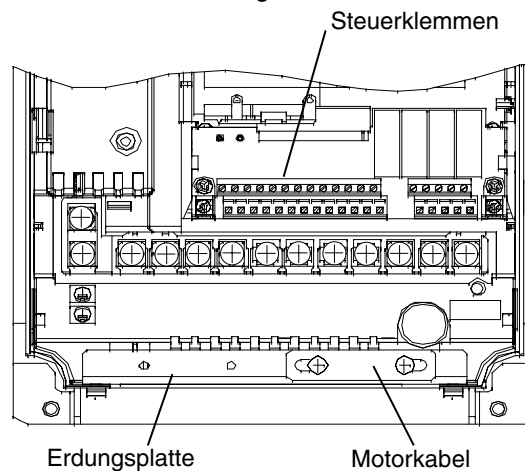


Abb 10 Erdungsschelle von IP54 Frequenzumrichtern mit 7,5 bis 18,5 kW

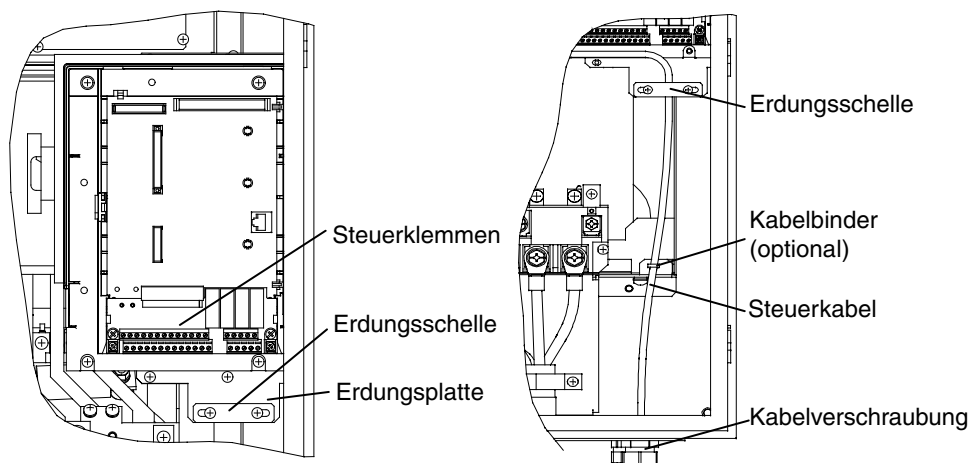
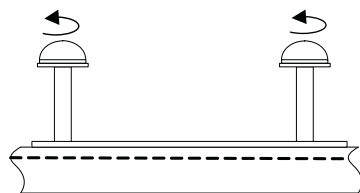
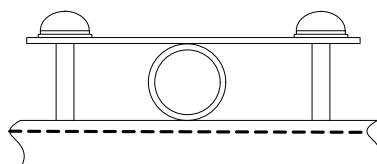


Abb 11 Erdungsschellen bei IP54 Frequenzumrichtern mit 22 bis 55 kW

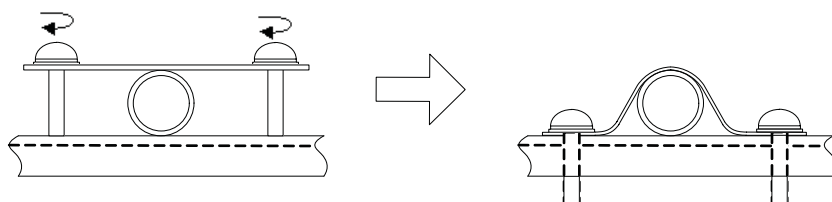
Gehen Sie bei IP54 Frequenzumrichtern zum Einklemmen und Erden der Abschirmung der Steuerkabel wie folgt vor:



Lösen Sie die beiden Befestigungsschrauben der Erdungsschelle.



Führen Sie das abgeschirmte Steuerkabel zwischen Erdungsschelle und Erdungsplatte durch.



Ziehen Sie die Schrauben abwechselnd an, bis diese vollständig angezogen sind.

Abb 12 Vorgehensweise bei der Erdung der Steuerleitungsabschirmung

Bedienung über die Tastatur

◆ Anzeige der digitalen Bedienkonsole

Die Bezeichnungen der Tasten und die Funktionen der digitalen Bedienkonsole werden unten beschrieben.



- Steuerbetriebsartanzeigen
- FWD: Leuchtet bei Eingang eines „Vorwärts“-Startbefehls.
 - REV: Leuchtet bei Eingang eines „Rückwärts“-Startbefehls.
 - SEQ: Leuchtet wenn die Vorgabe des Startbefehls über die Klemmleiste programmiert ist.
 - REF: Leuchtet wenn die Vorgabe des Sollwertes über die Steuerklemmen A1 und A2 programmiert ist.
 - ALARM: Leuchtet beim Auftreten einer Fehlfunktion oder eines Alarms.

Datendisplay
Zeigt Überwachungsdaten, Parameternummern und Einstellungen an.

Tasten

Zur Ausführung von Funktionen wie dem Einstellen von Parametern, Überwachung, Jog-Betrieb und Autotuning.

■ Tasten der digitalen Bedienkonsole

Taste	Name	Funktion
	Taste LOCAL/REMOTE	Schaltet zwischen der Bedienung über die digitale Bedienkonsole (LOCAL) und den Einstellungen in b1-01 und b1-02 (REMOTE) um. Diese Taste kann durch Einstellung des Parameters o2-01 aktiviert oder deaktiviert werden.
	Taste MENU	Auswahl der Betriebsarten.
	Taste ESC	Rückkehr zu dem Status, der vor dem Drücken der Taste DATA/ENTER aktiv war.
	Taste JOG	Erlaubt Jog-Betrieb, wenn der Frequenzumrichter über die digitale Bedienkonsole gesteuert wird.
	Taste FWD/REV	Wählt die Drehrichtung des Motors, wenn der Frequenzumrichter über die digitale Bedienkonsole gesteuert wird.
	Taste SHIFT/RESET	Dient zur Auswahl der aktiven Stelle beim Programmieren von Parametern. Fungiert außerdem bei Auftreten eines Fehlers als Rücksetztaste.
	Erhöhen-Taste	Wählt Parameternummern aus und erhöht Parameter-werte. Wird zum Wechsel zu der nächsten Funktion oder den nächsten Daten verwendet.
	Verringern-Taste	Wählt Parameternummern aus und verringert Parameter-werte. Wird zum Wechsel zu der vorherigen Funktion oder den vorherigen Daten verwendet.
	Taste DATA/ENTER	Wählt Menüs und Parameter aus und validiert Parameter-Einstellwerte.
	RUN-Taste	Startet den Betrieb des Frequenzumrichters, wenn dieser über die digitale Bedienkonsole gesteuert wird (LOCAL-Betriebsart).
	Taste STOP	Stoppt den Betrieb des Frequenzumrichters (LOCAL- und REMOTE-Betriebsart). Diese Taste kann durch Einstellung des Parameters o2-02 aktiviert oder deaktiviert werden, wenn die Steuerung über eine andere Quelle als die digitale Bedienkonsole erfolgt.

Einschalten und Grundparameter-Einstellungen

◆ Inbetriebnahme

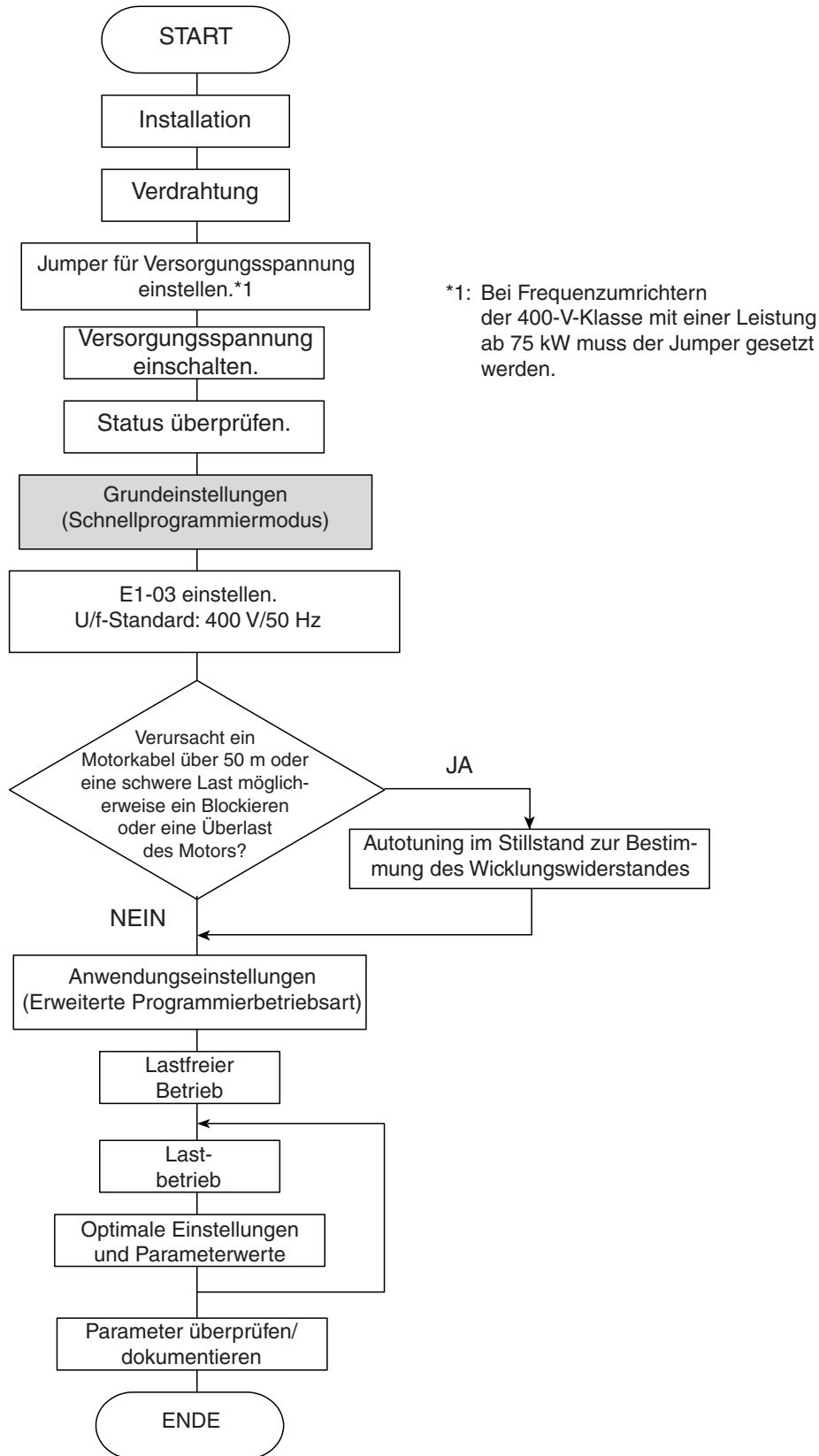


Abb 13 Testbetrieb – Flussdiagramm

◆ Vor dem Einschalten

Die folgenden Punkte sollten vor dem Einschalten der Spannungsversorgung sorgfältig überprüft werden.

- Kontrollieren Sie, ob die Spannungsversorgung den Spezifikationen des Frequenzumrichters entspricht.
- Kontrollieren Sie, ob die Kabel der Spannungsversorgung fest an die richtigen Klemmen angeschlossen sind (L1, L2, L3).
- Kontrollieren Sie, ob die Motorkabel fest an die richtigen Klemmen auf der Frequenzumrichterseite (U, V, W) und auf der Motorseite angeschlossen sind.
- Kontrollieren Sie, ob die Bremseinheit/der Bremswiderstand richtig angeschlossen ist.
- Kontrollieren Sie den korrekten Anschluss der Ansteuersignale an die Steuerklemmen.
- Setzen Sie alle Steuereingänge des Frequenzumrichters auf AUS.
- Kontrollieren Sie den korrekten Anschluss der Impulsgeber-Drehzahlregelungskarte (sofern vorhanden).

◆ Anzeige nach dem Einschalten

Nach normalem, problemlosem Einschalten enthält die Anzeige der Bedienkonsole die folgenden Informationen:

Anzeige bei Normalbetrieb

-DRIVE-	Frequency Ref	Rdy
U1-	01	=50.00Hz
U1-02=	0.00	Hz
U1-03=	0.00A	

Frequenzsollwertanzeige im Datenanzeigebereich.

Wenn ein Fehler aufgetreten oder ein Alarm aktiviert ist, wird eine Fehler- oder Alarmmeldung angezeigt. In diesem Fall siehe [Seite 23, Fehlerbehebung](#).

Anzeige bei Betriebsstörung

-DRIVE-	UV
Ausfall der Hauptspannungsversorgung	

Eine Fehler- oder Alarmmeldung wird angezeigt.
Im Beispiel wird ein Unterspannungsalarm angezeigt.

◆ Autotuning für Wicklungswiderstand

Autotuning kann zu einer Leistungsverbesserung führen, wenn das Motorkabel sehr lang ist oder wenn die Nennleistungen von Motor und Frequenzumrichter nicht übereinstimmen.

Stellen Sie zur Durchführung des Autotunings T1-02 (Motornennleistung) und T1-04 (Motornennstrom) ein, und drücken Sie die RUN-Taste auf der digitalen Bedienkonsole. Der Frequenzumrichter speist den Motor etwa 20 Sekunden lang mit Strom, und der Motor-Wicklungswiderstand (Statorwicklungen und Kabelwiderstand) wird automatisch gemessen. automatisch.



WICHTIG

1. Der Motor wird während des Autotunings mit Strom gespeist, dreht aber nicht. Berühren Sie den Motor erst nach Abschluss des Autotunings.
2. Stellen Sie sicher, dass alle Motorschütze geschlossen sind, bevor das Autotuning gestartet wird.
3. Drücken Sie zum Abbrechen des Autotunings die STOP-Taste auf der digitalen Bedienkonsole.

■ Weitere Alarmer und Fehler während des Autotunings

Eine Übersicht über mögliche Alarmer oder Fehler beim Autotuning und die entsprechenden Gegenmaßnahmen finden Sie auf [Seite 25, Autotuning-Fehler](#).

Anwenderparameter

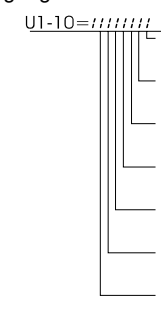
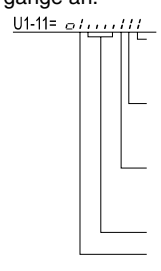
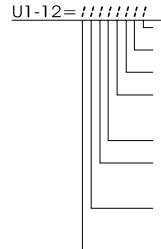
Parameter-Nr.	Name	Beschreibung
Daten initialisieren		
A1-00	Sprachauswahl für die Anzeige der digitalen Bedienkonsole (nur JVOP-160-OY)	0: Englisch 2: Deutsch 3: Französisch 4: Italienisch 5: Spanisch 6: Portugiesisch
A1-01	Parameterzugriffsebene	0: Nur Anzeige (Anzeige der Betriebsart und Einstellung von A1-01 und A1-04.) 1: Dient zur Auswahl von Anwenderparametern (nur in A2-01 bis A2-32 eingestellte Parameter können gelesen und eingestellt werden). 2: Erweitert (Parameter der Schnellprogrammierbetriebsart (Q) und der erweiterten Programmierbetriebsart (A) können gelesen und eingestellt werden).
A1-03	Initialisierung	0: Keine Initialisierung 1110: Initialisierung mittels der Anwenderparameter 2220: Initialisierung für 2-Draht-Ansteuerung. (Initialisierung auf Werkseinstellungen) 3330: Initialisierung für 3-Draht-Ansteuerung.
Sequenz/Sollwertquelle		
b1-01	Auswahl der Sollwertquelle	Legt die Quelle für den Frequenzsollwert fest. 0: Digitale Bedienkonsole 1: Steuerklemme (Analogeingang) 2: Serielle Kommunikation (RS422/485) 3: Optionskarte
b1-02	Auswahl der START-Befehlsquelle	Legt die Quelle für den START-Befehl fest. 0: Digitale Bedienkonsole 1: Steuerklemme (Digitaleingänge) 2: Serielle Kommunikation (RS422/485) 3: Optionskarte
b1-03	Auswahl der Stoppmethode	Legt die Stoppmethode beim Aufheben des Startbefehls fest. 0: Verzögerung bis zum Stillstand 1: Auslaufen bis zum Stillstand 2: DC-Bremmung bis zum Stillstand 3: Auslaufen bis zum Stillstand mit Wiederanlaufverzögerung (neue Startbefehle während der Verzögerung werden ignoriert.)
b1-04	Sperre des Rückwärtslaufs	0: Rückwärtslauf zulässig 1: Rückwärtslauf gesperrt 2: Ausgangsphasendrehung (beide Drehrichtungen sind zulässig) 3: Ausgangsphasendrehung mit gesperrtem Rückwärtslauf.
Fangfunktion		
b3-01	Methode der Drehzahlbestimmung für Fangfunktion (Stromerkennung oder Drehzahlberechnung)	Aktivierung oder Deaktivierung der Fangfunktion; dient außerdem zur Auswahl der Methode zur Drehzahlbestimmung. 0: Aktiviert über dig. Eingang, Drehzahlberechnung 1: Aktiviert bei START, Drehzahlberechnung 2: Aktiviert über dig. Eingang, Stromerkennung 3: Aktiviert bei START, Stromerkennung

Parameter-Nr.	Name	Beschreibung
b3-14	Bidirektionale Drehzahlbestimmung für Fangfunktion	Aktivierung oder Deaktivierung der bidirektionalen Drehzahlbestimmung für die Fangfunktion. 0: Deaktiviert 1: Aktiviert
PI-Regelung		
b5-01	Auswahl des PI-Steuermodus	0: Deaktiviert 1: Aktiviert 3: PI-Regelung ist aktiviert (PI-Regler mit Leitwertaufschaltung)
b5-02	Proportionalverstärkung (P)	Einstellung der Proportionalverstärkung für den PI-Regler P-Regelung wird nicht durchgeführt, wenn diese Einstellung 0,00 ist.
b5-03	Integrationszeit (I)	Einstellung der Integrationszeit für den PI-Regler I-Regelung wird nicht durchgeführt, wenn diese Einstellung 0,0 Sek. ist.
b5-09	Auswahl des PI-Regler-Ausgangsverhaltens	Auswahl von normalem oder invertiertem Verhalten des PI-Regler-Ausgangs. 0: PI-Regler-Ausgang normal. 1: PI-Regler-Ausgang invertiert.
b5-17	Beschleunigungs-/Verzögerungszeit bei PI-Sollwert	Einstellung der Beschleunigungs-/Verzögerungszeit für den PI-Sanftanlauf (SFS).
b5-18	PI-Sollwertauswahl	0: Deaktiviert 1: Aktiviert
b5-19	PI-Sollwert	PI-Zielwert
b5-31	Auswahl der PI-Einheit	Auswahl der Einheiten für die Parameter der PI-Regelung (b5-19, U1-24, U1-38).
Einstellungen für Beschleunigung/Verzögerung		
C1- <input type="checkbox"/>	Beschleunigungs-/Verzögerungszeiten	Legt die Zeit für die Beschleunigung/Verzögerung von 0 Hz bis zur maximalen Ausgangsfrequenz fest.
S-Kurven-Einstellungen		
C2- <input type="checkbox"/>	S-Kurven-Zeit bei Beschleunigung	S-Kurven-Zeit bei Beschleunigungsbeginn und -ende.
Taktfrequenz		
C6-02	Taktfrequenzauswahl	Wählt die Taktfrequenz aus. (Die Werkseinstellung hängt von der Leistung des Frequenzumrichters ab.) 0: Geringe Geräusche, niedrige Taktfrequenz 1: 2,0 kHz 2: 5,0 kHz 3: 8,0 kHz 4: 10,0 kHz 5: 12,5 kHz 6: 15,0 kHz F: Programmierbarer Verlauf
Drehzahleinstellungen		
d1-01 bis d1-04	Festfrequenzsollwert 1 bis 4	Stellt die Festfrequenzsollwerte ein.
d1-17	Jog-Frequenzsollwert	
Sollwertgrenzen		
d2-01	Frequenzsollwert-Obergrenze	Einstellung des oberen Grenzwerts für den Frequenzsollwert als Prozentsatz der maximalen Ausgangsfrequenz (E1-04).
d2-02	Frequenzsollwert-Untergrenze	Einstellung des unteren Grenzwerts für den Frequenzsollwert als Prozentsatz der maximalen Ausgangsfrequenz (E1-04).

Parameter-Nr.	Name	Beschreibung
Einstellung der U/f-Kennlinie		
E1-01	Einstellung der Eingangsspannung	Diese Einstellung dient als Referenzwert für die Schutzfunktionen.
E1-04	Maximale Ausgangsfrequenz (FMAX)	
E1-05	Max. Ausgangsspannung (VMAX)	
E1-06	Motornennfrequenz (FA)	
E1-13	Motornennspannung (VBASE)	
Motordateneinstellungen		
E2-01	Motornennstrom	Einstellung der Motordaten, wichtig, wenn der thermische Motorschutz aktiviert ist.
E2-03	Motorleerlaufstrom	
E2-05	Motorwicklungs-widerstand	
Digitale E/A-Einstellungen		
H1-01 bis H1-05	Funktionsauswahl für Klemmen S3 bis S7	Eine Übersicht über die verschiedenen Auswahlmöglichkeiten finden Sie im Kapitel <i>Seite 22, Funktionsauswahl für Digitaleingänge (H1-01 bis H1-05)</i> .
H2-01 und H2-02	Funktionsauswahl für Klemmen M1-M2 und M3-M4	Eine Übersicht über die verschiedenen Auswahlmöglichkeiten finden Sie im Kapitel <i>Seite 22, Funktionsauswahl für Digitalausgänge</i> .
Analoge E/A-Einstellungen		
H3-08	Einstellung des Signalpegels für Multifunktions-Analogeingang A2	Auswahl des Signalpegels für Multifunktions-Analogeingang A2. 0: 0 bis +10 V (11 Bit). 2: 4 bis 20 mA (9 Bit) 3: 0 bis 20 mA (9 Bit) Schalten Sie S1-2 auf "V", bevor Sie einen Spannungseingang verwenden.
H3-09	Funktionsauswahl für Analogeingang A2.	Auswahl der Funktion für Multifunktions-Analogeingang A2.
H3-13	Umschaltung Klemme A1/A2	Wählt aus, an welcher Klemme der Hauptfrequenzsollwert eingegeben werden kann. 0: Analogeingang 1 an Klemme A1 für den Hauptfrequenzsollwert verwenden. 1: Analogeingang 2 an Klemme A2 für den Hauptfrequenzsollwert verwenden.
H4-01	Auswahl des Überwachungspunktes an Klemme FM	Einstellung der Nummer des Überwachungspunktes (U1-□□), der über Klemme FM/AM ausgegeben werden soll.
H4-04	Auswahl des Überwachungspunktes an Klemme AM	

Parameter-Nr.	Name	Beschreibung
H4-05	Verstärkung an Klemme AM	Einstellung der Verstärkung für den Analogausgang an Klemme AM. Einstellung des Offsets für Multifunktions-Analogausgang 2 (Klemme AM) als Prozentsatz der Überwachungsgröße, der einer Ausgabe von 10 V entspricht.
Motorschutz		
L1-01	Auswahl der Motorschutzfunktion	0: Deaktiviert 1: Schutz für Universalmotor (lüftergekühlt) 2: Schutz für Frequenzumrichter-motor (extern gekühlter Motor) 3: Schutz für Vektor-Spezialmotor Beim Ausschalten der Spannungsversorgung des Frequenzumrichters wird der thermische Wert zurückgesetzt. Auch wenn dieser Parameter auf 1 gesetzt ist, kann der Schutz evtl. nicht wirksam sein.
Verhalten bei Netzausfall		
L2-01	Verhalten bei kurzzeitigem Spannungs-ausfall	0: Deaktiviert (Zwischenkreis-Unter-spannungserkennung, UV1) 1: Aktiviert (Neustart, wenn die Versorgungsspannung innerhalb der in L2-02 eingestellten Zeit wiederhergestellt wird. Wenn L2-02 überschritten wird, wird eine Zwischenkreis-Unter-spannung erkannt.) 2: Aktiviert, solange CPU in Betrieb ist. (Neustart, wenn die Netzspannung während der Regelung wiederhergestellt wird. Eine Zwischenkreis-Unter-spannung wird nicht erkannt.)
Blockierschutz		
L3-01	Auswahl für Blockierschutz bei Beschleunigung	0: Deaktiviert (Beschleunigung wie eingestellt. Unter einer schweren Last kann der Motor blockieren). 1: Aktiviert (Beschleunigung wird bei Überschreiten des in L3-02 eingestellten Stroms gestoppt. Die Beschleunigung wird fortgesetzt, wenn der Strom unter den Blockierschutzgrenzwert gefallen ist). 2: Intelligenter Beschleunigungsmodus (Beschleunigung wird unter Verwendung des in L3-02 eingestellten Werts als Basis automatisch geregelt. Die eingestellte Verzögerungszeit wird ignoriert.)
L3-02	Strompegel für Blockierschutz bei Beschleunigung	Wirksam bei Einstellung von Parameter L3-01 auf 1 oder 2. Wird als Prozentsatz des Frequenzumrichter-Nennstroms eingestellt.
L3-04	Auswahl für Blockierschutz bei Verzögerung	0: Deaktiviert (Verzögerung wie eingestellt. Bei zu kurzer Verzögerungszeit kann es zum Auftreten einer Zwischenkreisüberspannung kommen.) 1: Aktiviert (Verzögerung wird gestoppt, wenn die Zwischenkreisspannung den Blockierschutzgrenzwert überschreitet. Sobald die Zwischenkreisspannung wieder unter den Blockierschutzgrenzwert gefallen ist, setzt die Verzögerung wieder ein.) 2: Intelligenter Verzögerungsmodus (die Verzögerungsrate wird automatisch so eingestellt, dass die Verzögerung in kürzester möglicher Zeit erfolgt. Die eingestellte Verzögerungszeit wird ignoriert.) Wird eine der Bremsoptionen (Bremsenheit) verwendet, muss dieser Parameter auf 0 gesetzt werden.

Parameter-Nr.	Name	Beschreibung
L3-05	Auswahl für Blockierschutz während des Betriebs	0: Deaktiviert (Betrieb gemäß Einstellung. Unter einer schweren Last kann der Motor blockieren). 1: Verzögerung mit Verzögerungszeit 1 (C1-02). 2: Verzögerung mit Verzögerungszeit 2 (C1-04).
L3-06	Strompegel für Blockierschutz während des Betriebs	Wirksam bei Einstellung von Parameter L3-05 auf 1 oder 2. Wird als Prozentsatz des Frequenzumrichter-Nennstroms eingestellt.
Neustart bei Fehler		
L5-01	Anzahl automatischer Neustartversuche	Legt die Anzahl automatischer Neustartversuche fest. Bei einem Neustart nach einem Fehler wird automatisch eine Drehzahlbestimmung mit Start bei der letzten Ausgangsfrequenz durchgeführt.
L5-02	Auswahl des automatischen Neustarts	Legt fest, ob während eines Fehler-Neustarts ein Fehlerrelais aktiviert wird. 0: Kein Ausgang (Fehlerrelais wird nicht aktiviert.) 1: Ausgang (Fehlerrelais wird aktiviert.)
Lasterkennung		
L6-01	Auswahl der Lasterkennung	0: Lasterkennung deaktiviert. 1: Überlasterkennung nur bei Drehzahlübereinstimmung; Betrieb wird fortgesetzt (Warnung wird ausgegeben). 2: Überlasterkennung ständig während des Betriebs; Betrieb wird fortgesetzt (Warnung wird ausgegeben). 3: Überlasterkennung nur bei Drehzahlübereinstimmung; Auslaufen bis zum Stillstand (Fehler). 4: Überlasterkennung ständig während des Betriebs; Auslaufen bis zum Stillstand (Fehler). 5: Lastverlust-Erkennung nur bei Drehzahlübereinstimmung; Betrieb wird fortgesetzt (Warnung wird ausgegeben). 6: Lastverlust-Erkennung ständig während des Betriebs; Betrieb wird fortgesetzt (Warnung wird ausgegeben). 7: Lastverlust-Erkennung nur bei Drehzahlübereinstimmung; Auslaufen bis zum Stillstand (Fehler). 8: Lastverlust-Erkennung ständig während des Betriebs; Auslaufen bis zum Stillstand (Fehler).
L6-02	Lasterkennungsgrenze	Frequenzumrichter-Nennstrom = 100 %
L6-03	Lasterkennungszeit	Einstellung der Erkennungszeit für Überlast/Lastverlust.
Überwachungsdaten		
U1-01	Frequenzsollwert in Hz/U/min	
U1-02	Ausgangsfrequenz in Hz/U/min	
U1-03	Ausgangsstrom in A	
U1-06	Ausgangsspannung in V AC	
U1-07	Zwischenkreisspannung in V DC	
U1-08	Ausgangsleistung in kW	

Parameter-Nr.	Name	Beschreibung
U1-10	Eingangsklemmenstatus	Zeigt den EIN/AUS-Status der Eingänge an.  1: Vorwärts-Befehl (S1) ist EIN 1: Rückwärts-Befehl (S2) ist EIN 1: Multif.-Eingang 1 (S3) ist EIN 1: Multif.-Eingang 2 (S4) ist EIN 1: Multif.-Eingang 3 (S5) ist EIN 1: Multif.-Eingang 4 (S6) ist EIN 1: Multif.-Eingang 5 (S7) ist EIN
U1-11	Ausgangsklemmenstatus	Zeigt den EIN/AUS-Status der Ausgänge an.  1: Multifunktions-Kontaktausgang 1 (M1-M2) ist EIN 1: Multifunktions-Kontaktausgang 2 (M3-M4) ist EIN 1: Multifunktions-Kontaktausgang 3 (M5-M6) ist EIN Nicht verwendet (Immer 0). 1: Fehlerausgang (MA/MB-MC) ist EIN
U1-12	Betriebsstatus	Frequenzumrichter-Betriebszustand.  Betrieb 1: Nulldrehzahl 1: Rückwärts 1: Fehler-Rücksetzsignal aktiv 1: Drehzahlübereinstimmung 1: Frequenzumrichter bereit 1: Geringfügiger Fehler 1: Schwerwiegender Fehler
U1-13	Kumulative Betriebszeit in Std.	
U1-24	PI-Istwert in %	
U1-29	Anzeige der kumulativen Stromaufnahme 1 in kWh	
U1-30	Anzeige der kumulativen Stromaufnahme 2 in MWh	
U1-34	OPE-Fehlerparameter	
U1-36	Eingang PI-Regler in %	
U1-37	Ausgang PI-Regler in %	
U1-38	Sollwert PI-Regler in %	
U1-40	Kühllüfter-Betriebszeit in Std.	
U1-53	PI-Istwert 2 in %	
Fehlerverfolgungsdaten		
U2-01	Aktueller Fehler	
U2-02	Letzter Fehler	
U2-03	Frequenzsollwert bei Fehler	
U2-04	Ausgangsfrequenz bei Fehler	
U2-05	Ausgangsstrom bei Fehler	
U2-07	Ausgangsspannungs-Sollwert bei Fehler	
U2-08	Zwischenkreisspannung bei Fehler	
U2-09	Ausgangsleistung bei Fehler	
U2-11	Eingangsklemmenstatus bei Fehler	
U2-12	Ausgangsklemmenstatus bei Fehler	
U2-13	Betriebsstatus bei Fehler	
U2-14	Kumulative Betriebszeit bei Fehler	

Parameter-Nr.	Name	Beschreibung
Fehlerspeicher-Daten		
U3-01 bis U3-04	Letzter bis viertletzter Fehler	
U3-05 bis U3-08	Kumulative Betriebszeit bei Fehler 1 bis 4	
U3-09 bis U3-14	Fünftletzter bis zehntletzter Fehler	
U3-15 bis U3-20	Kumulative Betriebszeit beim fünft- bis zehntletzten Fehler	
* Folgende Fehler werden nicht im Fehlerprotokoll aufgezeichnet: CPF00, 01, 02, 03, UV1 und UV2.		

Einstellung	Beschreibung
Funktionsauswahl für Digitaleingänge (H1-01 bis H1-05)	
3	Festdrehzahlsollwert 1
4	Festdrehzahlsollwert 2
6	Jog-Frequenzsollwert (höhere Priorität als Festdrehzahlsollwert)
F	Nicht verwendet (Einstellung für nicht verwendete Klemmen)
14	Fehlerrücksetzung (Rücksetzung bei Wechsel auf EIN)
19	PI-Regelung deaktivieren
20 bis 2F	Externer Fehler; Eingangsart: Schließer-Kontakt/Öffner-Kontakt, Erkennungsbetriebsart: Normal/während des Betriebs
Funktionsauswahl für Digitalausgänge (H2-01 und H2-02)	
0	Während Betrieb 1 (EIN: START-Befehl auf EIN oder Spannung wird ausgegeben)
6	Frequenzumrichter betriebsbereit (BEREIT: Initialisierung abgeschlossen oder keine Fehler)
F	Nicht verwendet (Einstellung für nicht verwendete Klemmen)

Fehlerbehebung

Fehler und Alarme weisen auf ungewöhnliche Bedingungen des Frequenzumrichters/der Anwendung hin.

Bei einem Alarm wird der Frequenzumrichter nicht unbedingt abgeschaltet, aber es wird eine Meldung auf dem Tastenfeld angezeigt (d. h. ein blinkender Alarmcode), und es kann eine Alarmausgabe an den Multifunktionsausgängen (H2-01 und H2-02) generiert werden, wenn dies programmiert ist. Ein Alarm wird automatisch gelöscht, wenn der Alarmzustand nicht mehr besteht.

Bei einem Fehler wird der Frequenzumrichterausgang sofort abgeschaltet, eine Meldung auf dem Tastenfeld angezeigt und der Fehlerausgang geschaltet. Der Fehler muss manuell zurückgesetzt werden, nachdem die Fehlerursache beseitigt ist und das START-Signal aufgehoben wurde.

In den nachfolgenden Tabellen sind Fehler und Alarme mit den entsprechenden Abhilfemaßnahmen aufgeführt.

Tabelle 5 Liste der Fehler und Alarme

Anzeige	Alarm	Fehler	Bedeutung	Abhilfemaßnahmen
BUS Option Com Err		○	Optionskarten-Kommunikationsalarm Nachdem die Kommunikation erstmals zustande gekommen ist, wurde die Verbindung unterbrochen.	Überprüfen Sie die Anschlüsse und alle durch den Anwender vorgenommenen Software-Konfigurationen.
CPF00 COM- ERR(OP&INV)		○	Kommunikationsfehler 1/2 der digitalen Bedienkonsole • Kommunikationsfehler zwischen Bedienkonsole und Frequenzumrichter • Externer RAM-Fehler der CPU	<ul style="list-style-type: none"> Trennen Sie die digitale Bedienkonsole, und schließen Sie sie erneut an. Schalten Sie den Frequenzumrichter aus und anschließend wieder ein. Tauschen Sie den Frequenzumrichter aus.
CPF01 COM- ERR(OP&INV)				
CPF0x		○	CPF02-, CPF03-, CPF04-Fehler • Fehler bei der Endstufensperrschaltung • EEPROM-Fehler • Fehler am internen A/D-Wandler der CPU	<ul style="list-style-type: none"> Führen Sie eine Initialisierung auf die werkseitigen Einstellungen durch. Schalten Sie den Frequenzumrichter aus und anschließend wieder ein. Tauschen Sie den Frequenzumrichter aus.
EF Externer Fehler	○		Gleichzeitige Eingabe von Vorwärts-/Rückwärtsbefehl Sowohl der Vorwärts- als auch der Rückwärtsbefehl werden für 500 ms oder länger gleichzeitig eingegeben. Der Motor wird durch diesen Alarm gestoppt.	Überprüfen Sie die Logik der externen Sequenz, sodass jeweils nur ein Eingang aktiviert ist.
EF0 Opt External Flt		○	Externes Fehlersignal von der Kommunikations-Optionskarte	<ul style="list-style-type: none"> Überprüfen Sie, ob ein externer Fehlerzustand vorliegt. Überprüfen Sie die Parameter. Überprüfen Sie die Kommunikationssignale.
EFx Ext Fault Sx	○	○	Externer Fehler an Klemme Sx (x steht für die Klemmen S3 bis S7)	Beseitigen Sie die Ursache des extern bedingten Fehlers.
Ext Run Active Cannot Reset	○		Wird erkannt, wenn ein RESET-Befehl bei noch aktivem START-Befehl eingegeben wird.	Heben Sie zuerst das START-Signal auf, und setzen Sie den Fehler dann zurück.
GF Erdschlussfehler		○	Erdschlussfehler Der Erdschlussstrom am Frequenzumrichterausgang überschreitet 50 % des Frequenzumrichter-Nennausgangsstroms und L8-09 = 1 (Erdschlussfehlerschutz aktiviert).	<ul style="list-style-type: none"> Klemmen Sie den Motor ab, und betreiben Sie den Frequenzumrichter ohne Motor. Prüfen Sie den Motor auf eine Phase mit Erdschluss. Prüfen Sie den Ausgangsstrom mit einem Stromprüfer, um die DCCT-Werte zu kontrollieren. Überprüfen Sie die Steuersequenz auf falsche Motorschutz-Signale.
LL3 Loss of Load Det	○	○	Lastverlust Ein Verlust der Motorlast gemäß den Einstellungen von L6-01 bis L6-03 wurde erkannt.	<ul style="list-style-type: none"> Stellen Sie sicher, dass die Einstellungen in L6-02 und L6-03 richtig sind. Prüfen Sie das mechanische System (mechanische Verbindung zur Last, z. B. Förderband).
OC Over Current		○	Over Current Der Ausgangsstrom des Frequenzumrichters hat den Überstrom-Erkennungspegel überschritten.	<ul style="list-style-type: none"> Klemmen Sie den Motor ab, und betreiben Sie den Frequenzumrichter ohne Motor. Prüfen Sie den Motor auf einen Kurzschluss zwischen den Phasen. Überprüfen Sie die Beschleunigungs-/Verzögerungszeiten (C1-□□). Prüfen Sie den Ausgang des Frequenzumrichters auf einen Kurzschluss zwischen den Phasen.
OH Heatsink Over- temp		○	Überhitzung des Kühlkörpers L8-03 = 0, 1 oder 2, und die Temperatur des Frequenzumrichter-Kühlkörpers hat den Einstellwert in L8-02 überschritten. Der Kühlflüster des Frequenzumrichters funktioniert nicht mehr.	<ul style="list-style-type: none"> Überprüfen Sie die Lüfter bzw. Kühlkörper auf Schmutzansammlungen. Reduzieren Sie die Umgebungstemperatur für den Frequenzumrichter. Tauschen Sie den/die Kühlflüster aus.
		○	L8-03 = 3 oder 4, und die Temperatur des Frequenzumrichter-Kühlkörpers hat den Einstellwert in L8-02 überschritten.	
OH1 Heatsnk MAX Temp		○	Überhitzung des Kühlkörpers Die Temperatur des Frequenzumrichter-Kühlkörpers hat 105°C überschritten. Der Kühlflüster des Frequenzumrichters funktioniert nicht mehr.	<ul style="list-style-type: none"> Überprüfen Sie die Lüfter bzw. Kühlkörper auf Schmutzansammlungen. Reduzieren Sie die Umgebungstemperatur für den Frequenzumrichter. Tauschen Sie den/die Kühlflüster aus.

Anzeige	Alarm	Fehler	Bedeutung	Abhilfemaßnahmen
OL1 Motorüberlast		○	Motorüberlast Wird erkannt, wenn L1-01 auf 1, 2 oder 3 gesetzt ist und der letzte Wert des Frequenzumrichters die Motorüberlastkurve überschritten hat. Die Überlastkurve kann über die Parameter E2-01 (Motornennstrom), L1-01 (Auswahl der Motorschutzfunktion) und L2-02 (Motorschutz-Zeitkonstante) eingestellt werden.	<ul style="list-style-type: none"> Überprüfen Sie die Zykluszeit und die Größe der Last ebenso wie die Beschleunigungs-/Verzögerungszeiten (C1-□□). Überprüfen Sie die U/f-Kennlinie (E1-□□). Überprüfen Sie die Einstellung des Motornennstroms (E2-01).
OL2 Inv Overload		○	Frequenzrichter-Überlastung Der Ausgangsstrom des Frequenzrichters hat die Überlastbarkeitsgrenze überschritten.	<ul style="list-style-type: none"> Überprüfen Sie die Zykluszeit und die Größe der Last ebenso wie die Beschleunigungs-/Verzögerungszeiten (C1-□□). Überprüfen Sie die U/f-Kennlinie (E1-□□). Überprüfen Sie, ob der Frequenzrichter-Nennstrom mit dem Motornennstrom übereinstimmt.
OV DC Bus Overvolt	○ (nur bei Stoppbedingung)	○	Die Zwischenkreisspannung hat den Überspannungs-Erkennungspegel überschritten. Standard-Erkennungsspannungen sind: 200-V-Klasse: 410 V DC 400-V-Klasse: 820 V DC	<ul style="list-style-type: none"> Verlängern Sie die Verzögerungszeit (C1-02/04), oder schließen Sie eine Bremsoption an. Prüfen Sie die Versorgungsspannung, und verringern Sie die Spannung, damit sie den Spezifikationen des Frequenzrichters entspricht. Überprüfen Sie den Bremstristor/-widerstand.
PF Eingangsphasenausfall		○	Eingangsphasenausfall Zu große Welligkeit bei der Zwischenkreisspannung. Wird nur erkannt, wenn L8-05 = 1 (aktiviert)	<ul style="list-style-type: none"> Ziehen Sie die Schrauben der Eingangsklemmen fest. Überprüfen Sie die Versorgungsspannung.
PUF Zwischenkreissicherung durchgebrannt		○	Zwischenkreissicherung durchgebrannt Die Sicherung im Zwischenkreis ist durchgebrannt. Vorsicht: Der Frequenzrichter darf nach dem Ersatz der Zwischenkreis-Sicherung nicht ohne Prüfung auf kurzgeschlossene Komponenten in Betrieb genommen werden.	<ul style="list-style-type: none"> Prüfen Sie den Motor und die Motorkabel auf Kurzschlüsse oder Beschädigungen der Isolierung (zwischen den Phasen). Ersetzen Sie den Frequenzrichter.
UV1 DC Bus Undervolt	○ (nur bei Stoppbedingung)	○	Die Zwischenkreisspannung hat den Grenzwert für die Unterspannungserkennung unterschritten. (L2-05). Die Standardeinstellungen sind: 200-V-Klasse: 190 V DC 400-V-Klasse: 380 V DC	<ul style="list-style-type: none"> Prüfen Sie die Eingangsspannung. Überprüfen Sie die Verdrahtung der Eingangsklemmen. Überprüfen Sie die Eingangsspannung und die Verdrahtung der Eingangsklemmen. Verlängern Sie die Einstellungen in C1-01/03
			Ladeschutz-Fehler Das Ladeschutz reagiert nicht mehr während des Betriebs des Frequenzrichters.	Tauschen Sie den Frequenzrichter aus.
UV2 CTL PS Undervolt		○	Unterspannung der Steuerplatine Unterspannung der Steuerschaltung während des Frequenzrichterbetriebs.	<ul style="list-style-type: none"> Klemmen Sie alle Anschlüsse an den Steuerklemmen ab, und schalten Sie den Frequenzrichter aus und anschließend wieder ein. Tauschen Sie den Frequenzrichter aus.

◆ Programmierfehler

Ein Programmierfehler (OPE) tritt auf, wenn zwei oder mehr miteinander in Verbindung stehende Parameter falsch eingestellt sind oder eine einzelne Parametereinstellung falsch ist. Der Frequenzrichter kann erst dann in Betrieb genommen werden, wenn der Parameter richtig eingestellt ist. Es werden jedoch keine anderen Alarme oder Fehler ausgegeben. Wenn ein OPE auftritt, ändern Sie den verbundenen Parameter, indem Sie überprüfen, ob eine der in der unten stehenden Tabelle beschriebenen Ursachen vorliegt. Wenn ein OPE angezeigt wird, drücken Sie die ENTER-Taste, um U1-34 (OPE Detected) anzuzeigen. Diese Überwachungsanzeige zeigt den Parameter an, der diesen OPE-Fehler verursacht.

Tabelle 6 Liste der Fehler bei der Programmierung durch den Anwender

Anzeige	Bedeutung	Abhilfemaßnahmen
OPE01 kVA Selection	Fehler bei der Leistungseinstellung (kVA) für den Frequenzrichter	Geben Sie die richtige kVA-Einstellung in o2-04 ein.
OPE02 Limit	Parametereinstellung liegt außerhalb des zulässigen Bereichs.	Überprüfen Sie die Parametereinstellungen.

Anzeige	Bedeutung	Abhilfemaßnahmen
OPE03 Klemmen	Auswahlfehler an Multifunktionseingang Einer der folgenden Fehler wurde bei den Einstellungen für die Multifunktionseingänge (H1-01 bis H1-05) verursacht. <ul style="list-style-type: none"> Für zwei oder mehr Multifunktionseingänge wurde dieselbe Einstellung gewählt. Die Befehle „Auf-/Abwärts“ (10 und 11) wurden einzeln für Multifunktionseingänge gewählt (müssen zusammen verwendet werden). Die Befehle „Auf-/Abwärts“ (10 und 11) und „Beschleunigungs-/Verzögerungsrampe halten“ (A) wurden gleichzeitig eingestellt. Es wurden gleichzeitig mehrere Fangfunktionseingänge (61, 62, 64) eingestellt. „Externe Endstufensperre Schließer“ (8) und „externe Endstufensperre Öffner“ (9) wurden gleichzeitig eingestellt. 	Überprüfen Sie die Parametereinstellungen in H1-□□.
OPE03 Klemmen	<ul style="list-style-type: none"> Die Befehle „Auf-/Abwärts“ (10 und 11) wurden eingestellt, während die PI-Regelung (b5-01) aktiv war. Für den NOT-AUS-Befehl wurden „Schließer“ und „Öffner“ gleichzeitig eingestellt. „Motor vorheizen“ (60) und „Motor vorheizen 2“ (80) wurden einzeln für Multifunktionseingänge gewählt (müssen zusammen verwendet werden). „Notüberbrückung FWD“ (81) und „Notüberbrückung REV“ (82) wurden gleichzeitig eingestellt. 	Überprüfen Sie die Parametereinstellungen in H1-□□.
OPE05 Sequence Select	Auswahlfehler START-/Sollwertbefehl Der Parameter zur Auswahl der Sollwertquelle (b1-01) und/oder zur Auswahl der START-Befehlsquelle (b1-02) wurde auf 3 (Optionskarte) eingestellt, es wurde jedoch keine Optionskarte installiert.	<ul style="list-style-type: none"> Überprüfen Sie, ob die Karte installiert wurde. Schalten Sie die Versorgungsspannung aus, und installieren Sie die Optionskarte neu. Überprüfen Sie die Einstellung von b1-01 und b1-02.
OPE09 PI Selection	PI-Regler-Konfigurationsfehler Die folgenden Einstellungen wurden gleichzeitig vorgenommen. <ul style="list-style-type: none"> b5-01 (PI-Regelungsart-Auswahl) wurde auf einen anderen Wert als 0 gesetzt. b5-15 (PI-Ruhefunktion-Betriebspegel) wurde auf einen anderen Wert als 0 gesetzt. b1-03 (Auswahl der Stoppmethode) wurde auf 2 oder 3 gesetzt. 	Überprüfen Sie die Einstellung der Parameter b5-01, b5-15 und b1-03.
OPE10 V/f Ptrn Setting	U/f-Parametereinstellungsfehler	Überprüfen Sie die Parameter (E1-□□). Ein Frequenz-/Spannungswert wurde möglicherweise höher eingestellt als die maximal zulässige Frequenz/Spannung.

◆ Autotuning-Fehler

In der nachfolgenden Tabelle sind Autotuning-Fehler aufgeführt. Wenn einer der folgenden Fehler erkannt wird, wird der entsprechende Fehler auf der digitalen Bedienkonsole angezeigt und der Motor läuft bis zum Halt aus. Es wird kein Fehler- oder Alarmausgang geschaltet.

Tabelle 7 Liste der Autotuning-Fehler

Anzeige	Bedeutung	Abhilfemaßnahmen
Er - 01 Fehler	Motordatenfehler	<ul style="list-style-type: none"> Überprüfen Sie die Eingabedaten. Überprüfen Sie die Leistung des Frequenzumrichters und die Leistung des Motors. Überprüfen Sie die Einstellung des Motornennstroms.
Er - 02 Minor Fault	Alarm	<ul style="list-style-type: none"> Überprüfen Sie die Eingabedaten. Überprüfen Sie die Verdrahtung und die Maschine. Überprüfen Sie die Last.
Er - 03 STOP key	Drücken der STOP-Taste	-
Er - 04 Widerstand	Fehler bei Bestimmung des Motor-Wicklungswiderstandes <ul style="list-style-type: none"> Das Autotuning konnte nicht in der vorgegebenen Zeit abgeschlossen werden. Das Ergebnis des Autotunings liegt außerhalb des Parametereinstellungsbereichs. 	<ul style="list-style-type: none"> Überprüfen Sie die Eingabedaten. Überprüfen Sie die Verdrahtung des Motors.
End - 3 Rated FLA Alm	Nennstromeinstellungsalarm Wird nach Abschluss des Autotunings angezeigt. Der während des Autotunings gemessene Wert des Motornennstroms (E2-01) war größer als der eingestellte Wert.	Überprüfen Sie den Wert des Motornennstroms.

Guía rápida de referencia E7Z

Tabla de contenido

Advertencias	ES-2
◆ Precauciones de seguridad e instrucciones	ES-3
◆ Compatibilidad EMC	ES-4
Instalación	ES-5
◆ Instalación mecánica	ES-5
◆ Conexión eléctrica	ES-7
◆ Terminales del circuito principal	ES-8
◆ Cableado de las entradas del circuito principal	ES-11
Operación de teclado	ES-16
◆ Visualización del Operador Digital	ES-16
Encendido y configuración de parámetros básicos	ES-17
◆ Procedimiento de arranque	ES-17
◆ Antes del encendido	ES-18
◆ Visualización tras el encendido	ES-18
◆ Autotuning para resistencia línea a línea	ES-18
Parámetros de usuario	ES-19
Detección y corrección de errores	ES-23
◆ Errores de programación del operador	ES-24
◆ Fallos de autotuning	ES-25

Advertencias



PRECAUCIÓN

Mientras esté conectada la alimentación no se deben conectar ni desconectar cables, como tampoco realizar pruebas de señal.

El condensador del bus de c.c. del Varispeed E7 permanece cargado incluso una vez que la alimentación se ha desconectado. Para evitar el riesgo de descargas eléctricas, desconecte el variador de frecuencia del circuito de alimentación antes de llevar a cabo cualquier tarea de mantenimiento. A continuación, espere al menos durante 5 minutos hasta que todos los LEDs se hayan apagado.

No realice pruebas de resistencia a la tensión en ninguna parte del Varispeed. El variador de frecuencia contiene semiconductores que no están diseñados para soportar tan altas tensiones.

No retire el operador digital mientras la alimentación eléctrica esté conectada. Tampoco debe tocar la placa de circuitos impresos mientras el variador esté conectado a la alimentación.

Nunca conecte filtros de supresión de interferencias LC/RC, condensadores ni dispositivos de protección contra sobretensiones a la entrada o a la salida del variador.

Para evitar que se visualicen fallos innecesarios de sobrecorriente, etc., los contactos de señal de cualquier contactor o conmutador instalado entre el variador y el motor deben estar integrados en la lógica de control del variador (por ejemplo, baseblock).

Esto es absolutamente imprescindible

Este manual se debe leer detenidamente antes de conectar y operar el variador. Deben seguirse todas las precauciones de seguridad e instrucciones de uso.

El variador debe equiparse con los filtros de línea adecuados siguiendo las instrucciones de instalación de este manual y con todas las cubiertas cerradas y los terminales cubiertos. Solamente entonces estará adecuadamente protegido. No conecte u opere cualquier equipamiento que presente daños visibles o al que le falten componentes. La empresa operadora es responsable de las lesiones a personas y de los daños al equipamiento derivados por no respetar las advertencias que contiene este manual.

◆ Precauciones de seguridad e instrucciones

■ General

Lea detenidamente estas precauciones de seguridad e instrucciones de funcionamiento antes de instalar y operar este variador. Asimismo, lea todas las señales de advertencia que se encuentran en el variador y asegúrese de que nunca estén dañadas o falten.

Es posible que se pueda acceder a componentes activos y calientes durante la operación. Retirar componentes de la carcasa, el operador digital o las cubiertas de los terminales, así como abrir la puerta del variador, conlleva el riesgo de sufrir lesiones graves o de dañar el equipo en el caso de una instalación u operación incorrecta. El hecho de que los variadores de frecuencia se utilizan para controlar componentes mecánicos rotativos de máquinas puede ser la causa de otros peligros.

Deben seguirse las instrucciones contenidas en este manual. La instalación, la operación y el mantenimiento solamente los deben llevar a cabo personal cualificado. En lo que se refiere a las precauciones de seguridad, el personal cualificado se define como las personas que están familiarizadas con la instalación, el arranque, la operación y el mantenimiento de variadores de frecuencia y que cuentan con la cualificación profesional adecuada para llevar a cabo estos trabajos. La operación segura de estas unidades solamente es posible si se utilizan de manera apropiada y para el fin para el que fueron diseñadas.

Los condensadores de bus de c.c. pueden mantenerse activos durante aproximadamente 5 minutos una vez que el variador se desconecta de la alimentación. Por lo tanto es necesario esperar este tiempo antes de abrir sus cubiertas. Todos los terminales del circuito principal pueden estar sometidos aún a tensiones peligrosas.

No debe permitirse el acceso a estos variadores a niños y personas no autorizadas.

Guarde estas precauciones de seguridad e instrucciones en un lugar fácilmente accesible y haga que todas las personas que tienen algún tipo de acceso a los variadores puedan disponer de ellas.

■ Uso previsto

Los variadores de frecuencia están previstos para su instalación en sistemas o maquinaria eléctricos.

Su instalación en la maquinaria y en los sistemas debe ser conforme a la siguiente normativa de producto de la Directiva de baja tensión:

- | | |
|----------------------|---|
| EN 50178, 1997-10, | Equipo electrónico para uso en instalaciones de potencia |
| EN 60204-1, 1997-12 | Seguridad de las máquinas, Equipo eléctrico de las máquinas
Parte 1: Requisitos generales (IEC 60204-1:1997)/
Tenga en cuenta: incluido Corrigendum de septiembre de 1998 |
| EN 61010-1, A2, 1995 | Requisitos de seguridad para equipos de procesamiento de información
(IEC 950, 1991 + A1, 1992 + A2, 1993 + A3, 1995 + A4, 1996, modificada) |

El marcado CE se lleva a cabo según EN 50178 utilizando los filtros de línea especificados en este manual y siguiendo las instrucciones de instalación apropiadas.

■ Transporte y almacenamiento

Las instrucciones para el transporte, el almacenamiento y la manipulación adecuada se deben seguir según los datos técnicos.

■ Instalación

Instale y refrigere los variadores como se especifica en la documentación. El aire de refrigeración debe circular en la dirección especificada. El variador, por lo tanto, solamente debe ser operado en la posición especificada (es decir, en posición vertical). Mantenga las distancias especificadas. Proteja los variadores contra cargas no permitidas. Los componentes no deben estar doblados y las distancias de aislamiento no se deben modificar. Para evitar daños causados por electricidad estática no toque ningún componente electrónico ni contacto.

■ Conexión eléctrica

Realice cualquier trabajo en el equipo activo según las regulaciones nacionales de seguridad y prevención de accidentes correspondientes. Lleve a cabo la instalación eléctrica según las regulaciones correspondientes. En concreto, siga las instrucciones de instalación asegurando la compatibilidad electromagnética (EMC), por ejemplo el blindaje, la conexión a tierra y el tendido de cables. Esto también es de aplicación para el equipamiento con marcado CE. Es responsabilidad del fabricante del sistema o máquina garantizar la conformidad con las limitaciones EMC.

Debe ponerse en contacto con su distribuidor o representante Omron Yaskawa Motion Control cuando utilice diferenciales junto con variadores de frecuencia.

En ciertos sistemas puede ser necesario utilizar dispositivos adicionales de control y seguridad según las regulaciones pertinentes sobre seguridad y prevención de accidentes. El hardware del variador de frecuencia no se debe modificar.

■ Notas

Los variadores de frecuencia Varispeed E7 IP54 tienen la homologación CE.

◆ Compatibilidad EMC

■ Introducción

Este manual se ha compilado para ayudar a los fabricantes de sistemas que utilizan variadores de frecuencia OMRON YASKAWA Motion Control (OYMC) a diseñar e instalar equipos eléctricos de conmutación. También describe las medidas necesarias para adecuarse a la Directiva EMC. Por lo tanto, deben seguirse las instrucciones de instalación y cableado de este manual.

Nuestros productos son probados por organizaciones autorizadas utilizando la normativa enumerada a continuación.

Normativa de producto: EN 61800-3:1996, EN 61800-3; A11:2000

■ Medidas para asegurar la conformidad de los variadores de frecuencia OYMC a la Directiva EMC

Los variadores de frecuencia OYMC no se deben instalar necesariamente en un armario de maniobra.

No es posible facilitar instrucciones detalladas para todos los tipos posibles de instalación. Por lo tanto, este manual se ha tenido que limitar a directrices generales.

Todo equipo eléctrico produce interferencias de radio y de línea en varias frecuencias. Los cables las transmiten a la atmósfera como si fueran una antena.

La conexión de equipamiento eléctrico (por ejemplo, un controlador) a una fuente de alimentación sin un filtro de línea puede, por lo tanto, permitir que las interferencias de alta o baja frecuencia se introduzcan en el circuito eléctrico (el variador tiene un filtro de línea incorporado).

Las contramedidas básicas son el aislamiento del cableado de los componentes de control y potencia, una conexión a tierra adecuada y el blindaje de los cables.

Para la puesta a tierra de baja impedancia de interferencias de alta frecuencia es necesaria una amplia área de contacto. Por lo tanto, se recomienda el uso de grapas de puesta a tierra en vez de cables.

Además, los cables blindados se deben conectar mediante clips específicos para la puesta a tierra.

■ Tendido de cables

Medidas contra la interferencia de línea:

El Varispeed E7 IP54 está equipado con un filtro EMC interno. Para obtener el máximo rendimiento del filtro, siga al pie de la letra las instrucciones de montaje relativas a la conexión del apantallado. Utilice un cable de motor apantallado y correctamente puesto a tierra.

- Utilice un cable con protección trenzada.
- Ponga a tierra la mayor superficie posible del blindaje. Es recomendable poner a tierra el blindaje conectando el cable a la placa de tierra con clips metálicos.
- Conecte a tierra ambos extremos del apantallado de los cables, y ponga a tierra también el motor de la máquina.

Instalación

◆ Instalación mecánica

■ Desembalaje del variador

Compruebe los siguientes elementos después de desembalar el variador.

Elemento	Método
¿Le ha sido suministrado el modelo de variador correcto?	Compruebe el número de modelo en la placa del lateral del variador.
¿Presenta el variador algún tipo de daño?	Inspeccione la totalidad del exterior del variador para comprobar la existencia de arañazos u otro tipo de daños derivados del envío.
¿Hay tornillos o componentes flojos?	Compruebe la firmeza de las uniones mediante un destornillador u otras herramientas.

Asimismo, compruebe que el embalaje de transporte del variador IP54 incluya los siguientes componentes.

Nombre del componente	Cant.
Prensaestopa de cable (para la entrada)	1
Prensaestopa de cable (para la salida del motor)	1
Prensaestopa de cable (para el control)	1
Prensaestopa de cable (para el bus de campo)	1
Llave de la puerta	1
Tapón de cierre (entrada del cable de control)	1
Tapón de cierre (entrada del cable de bus de campo)	1

Si encuentra alguna irregularidad en los elementos anteriormente descritos, póngase en contacto con el distribuidor en el que ha adquirido el variador o con su representante Omron Yaskawa Motion Control inmediatamente.

■ Comprobación del lugar de instalación

Observe las siguientes precauciones al montar el convertidor.

- Instale el variador en una ubicación limpia libre de vapores de grasa y polvo.
- Cuando instale u opere el variador tenga siempre especial cuidado de que no entre en el dispositivo polvo metálico, grasa, agua o cualquier otro elemento extraño.
- No instale el variador sobre materiales combustibles, como por ejemplo madera.
- Instale el variador en una ubicación libre de materiales radiactivos y de materiales combustibles.
- Instale el variador en una ubicación libre de gases y fluidos dañinos.
- Instale el variador en una ubicación sin excesiva oscilación.
- Instale el variador en una ubicación libre de cloruros.
- Instale el convertidor en una ubicación que no reciba luz solar directa.
- Los convertidores IP54 proporcionan protección frente a salpicaduras de agua y polvo no conductor de cualquier dirección. Instale el convertidor en una ubicación interior caldeada y con ambiente controlado para evitar que se produzca condensación en el interior del convertidor. Durante el cableado no permita que entre agua ni polvo en el convertidor IP54.
- Asegúrese de que los bloqueos de la puerta estén cerrados antes de transportar el convertidor. Cuando lo transporte, agarre siempre el convertidor por el armario. No lo agarre por la puerta ni por los prensaestopas de cable. Si los cierres de la puerta están abiertos o se sujeta el variador por la puerta (o los prensaestopas de cable), el cuerpo principal del variador podría caerse, con el consiguiente riesgo de lesiones.
- Preste atención para no dañar los prensaestopas de cable al levantar el convertidor. En caso contrario, el equipo puede dañarse al entrarle agua o polvo. Monte los tapones de cierre para la entrada del control y de las opciones si estos terminales no están conectados
- Preste atención para no dañar los prensaestopas de cable durante la instalación

■ Orientación de instalación

Instale el variador verticalmente con el fin de no reducir el efecto refrigerante. Al instalar el variador tenga en cuenta siempre las siguientes distancias de instalación para permitir una disipación normal del calor.

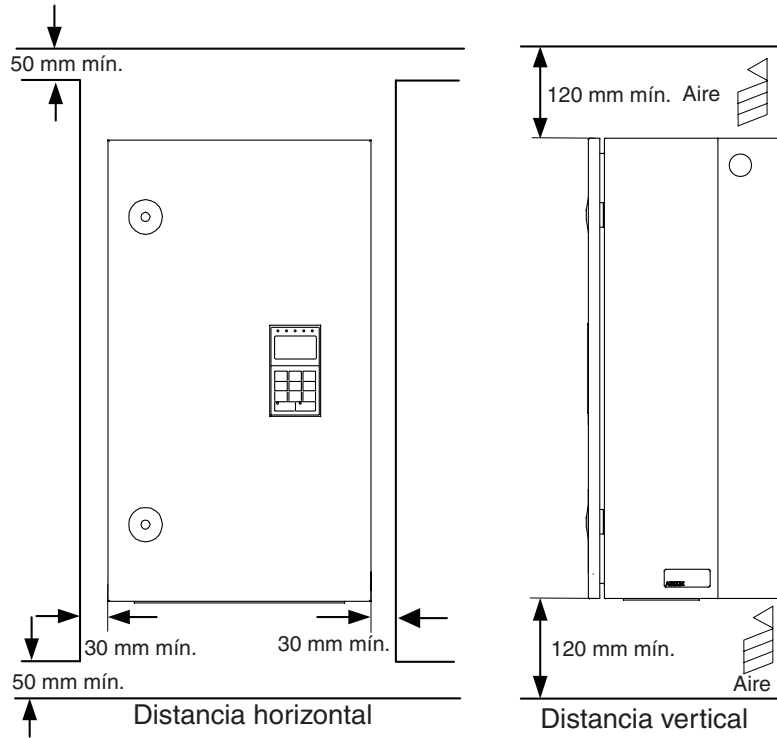


Fig. 1 Espacio de instalación

◆ Conexión eléctrica

■ Cableado del variador

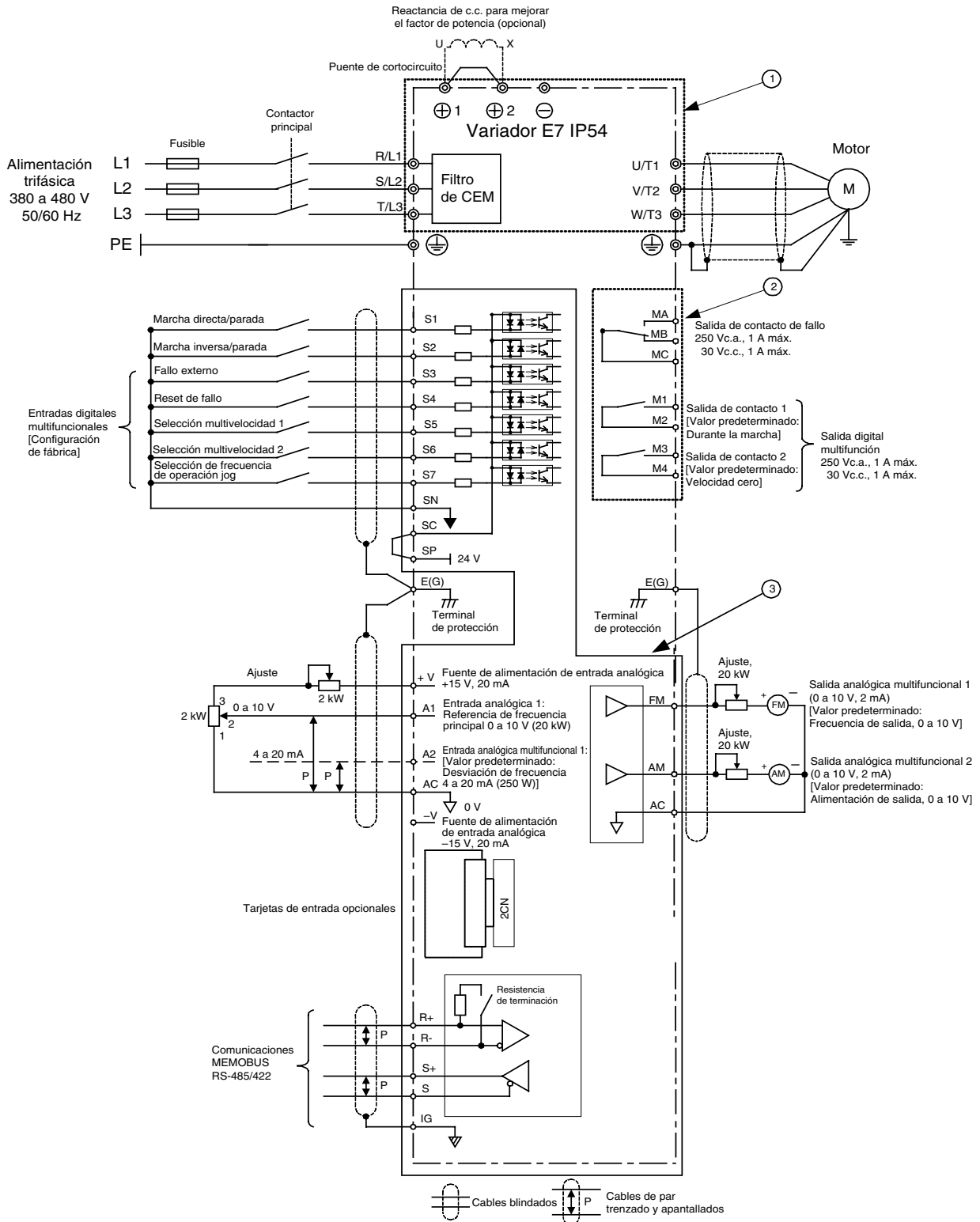


Fig. 2 Diagrama de cableado

◆ Terminales del circuito principal

Las funciones de los terminales del circuito principal se resumen según los símbolos de terminal en la *Tabla 1*. Cablee los terminales adecuadamente para los usos deseados.

Tabla 1 Funciones de los terminales del circuito principal (clase 200 V y clase 400 V)

Empleo	Símbolo de terminal	Modelo: CIMR-E7Z□□□□
Entrada de alimentación del circuito principal	R/L1, S/L2, T/L3	47P5 a 4055
Salidas del variador	U/T1, V/T2, W/T3	47P5 a 4055
Terminales de bus de c.c.	⊕1, ⊖	47P5 a 4055
Conexión de la reactancia de c.c.	⊕1, ⊕2	47P5 a 4018
Conexión de la unidad de freno	⊕3, ⊖	47P5 a 4055
Conexión a tierra	⊕	47P5 a 4055

■ Ubicación de los terminales del circuito principal

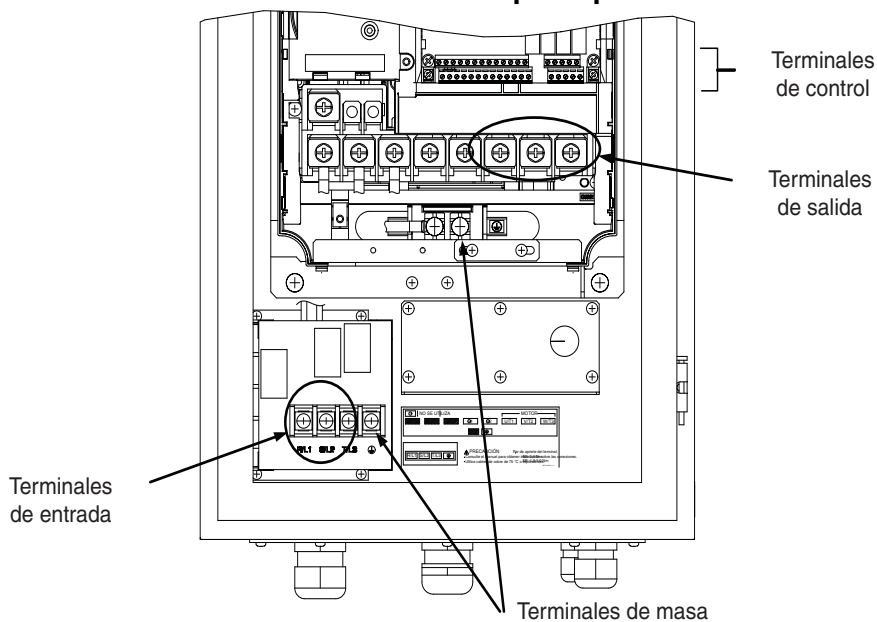


Fig. 3 Disposición de terminales de los variadores de 7,5 a 30 kW

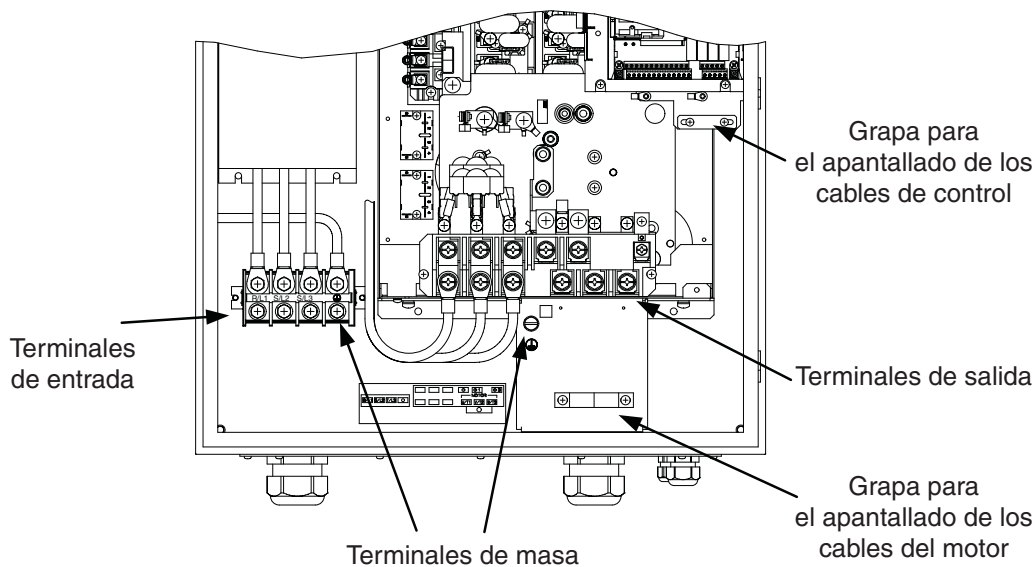


Fig. 4 Disposición de terminales de los variadores de 37 a 55 kW

■ Terminales del circuito de control

La Fig. 5 muestra la disposición de los terminales de control. Las funciones de los terminales del circuito de control se muestran en la Tabla 2. Utilice los terminales apropiados para los usos deseados.

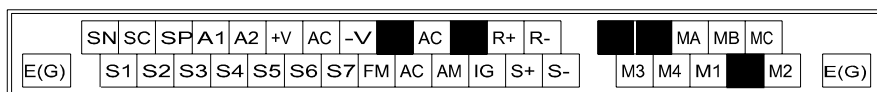


Fig. 5 Disposición de los terminales de control

Tabla 2 Terminales del circuito de control con configuraciones predeterminadas

Tipo	Nº	Nombre de la señal	Función		Nivel de señal
Señales de entrada digital	S1	Comando de marcha directa/parada	Marcha directa cuando está en ON; parada cuando está en OFF.		24 Vc.c., 8 mA Aislamiento de fotoacoplador
	S2	Comando de marcha inversa/parada	Marcha inversa cuando está en ON; parada cuando está en OFF.		
	S3	Entrada de fallo externo ^{*1}	Fallo cuando está en ON.	Las funciones se seleccionan configurando de H1-01 a H1-05.	
	S4	Reset de fallo ^{*1}	Reset cuando está en ON		
	S5	Referencia de multivelocidad 1 ^{*1} (Conmutador maestra/auxiliar)	Referencia de frecuencia auxiliar cuando está en ON		
	S6	Referencia de multivelocidad 2 ^{*1}	Multivelocidad 2 cuando está en ON.		
	S7	Referencia de frecuencia de Jog ^{*1}	Frecuencia jog cuando está en ON.		
	SC	Común de entrada digital	-		-
	SN	Neutro de entrada digital	-		-
	SP	Alimentación de entrada digital	Fuente de alimentación de +24 Vc.c. para entradas digitales		24 Vc.c., 250 mA máx. ^{*2}
Señales de entrada analógica	+ V	Salida de alimentación 15 V	Alimentación de 15 V para referencias analógicas		15 V (corriente máx.: 20 mA)
	A1	Referencia de frecuencia	0 a +10 V/100%		0 a +10 V (20 kΩ)
	A2	Referencia de frecuencia auxiliar	Referencia de frecuencia analógica auxiliar; 4 a 20 mA (250 Ω)	La función se selecciona configurando H3-09.	4 a 20 mA (250 Ω) 0 V a +10 V (20 kΩ) 0 a 20 mA (250 Ω)
	-V	Salida de alimentación -15 V	Alimentación de -15 V para referencias analógicas		
	AC	Común de referencia analógica	-		-
E(G)	Cable blindado, punto opcional de conexión de línea a tierra	-		-	
Señales de salida digital	M1	Durante marcha (Contacto 1NA)	Cerrado durante marcha	Función seleccionada por H2-01 y H2-02	Contactos de relé Capacidad de los contactos: 1 A máx. a 250 Vc.a. 1 A máx. a 30 Vc.c. ^{*3}
	M2				
	M3	Velocidad cero (Contacto 1NA)	CERRADO cuando la frecuencia de salida está en el nivel cero (b2-01) o inferior		
	M4				
	MA	Señal de salida de fallo	CERRADO entre MA y MC durante fallos		
	MB		ABIERTO entre MB y MC durante fallos		
Señales de salida analógica	FM	Frecuencia de salida	Señal de frecuencia de salida analógica; 0 a 10 V; 10 V=FMAX	Función seleccionada por H4-01	0 a +10 V máx. ±5% 2 mA máx.
	AC	Común de analógica	-		
	AM	Potencia de salida del variador	Señal de potencia de salida analógica; 0 a 10 V; 10 V=capacidad del motor apl. máx.	Función seleccionada por H4-04	

Tipo	Nº	Nombre de la señal	Función	Nivel de señal
RS-485/422	R+	Entrada de comunicaciones	Para RS-485 de 2 hilos, puentee R+ y S+, así como R- y S-.	Entrada diferencial, aislamiento de PHC
	R-	MEMOBUS		
	S+	Salida de comunicaciones		Entrada diferencial, aislamiento de PHC
	S-	MEMOBUS		
	IG	Común de señal		

- *1. La configuración predeterminada corresponde a los terminales S3 a S7. Para una secuencia de 3 hilos, la configuración predeterminada es una secuencia de 3 hilos para S5, configuración de multivelocidad 1 para S6 y configuración de multivelocidad 2 para S7.
- *2. No utilice esta fuente de alimentación para dispositivos externos.
- *3. Cuando controle una carga reactiva, como una bobina de relé con alimentación de c.c., inserte siempre un diodo como se indica en la [Fig. 6](#)

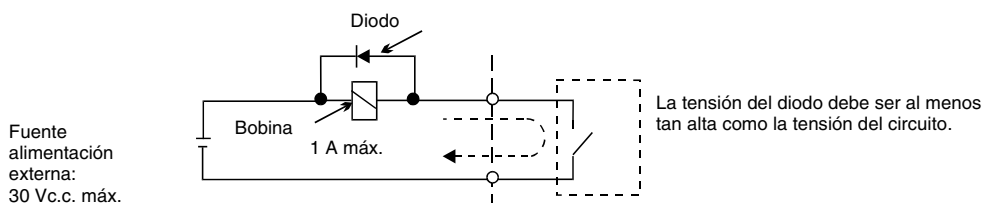


Fig. 6 Conexión del diodo



1. En la [Fig. 2](#) puede verse el cableado de las entradas digitales S1 a S7 para la conexión de contactos o de transistores NPN (modo 0V común y NPN). Esta es la configuración predeterminada. Para conectar transistores PNP o para utilizar una fuente de alimentación externa de 24V consulte la [Tabla 3](#).
2. Una reactancia de c.c es una opción solamente para variadores de 18,5 kW o menos. Retire el puente al conectar una reactancia de c.c.

■ Modo NPN/PNP (selección NPN/PNP)

La lógica del terminal de entrada se puede conmutar entre el modo NPN (0 V común, NPN) y PNP (+24 V común, PNP) mediante el puente CN5. También se admite una fuente de alimentación externa, lo que facilita una mayor libertad de métodos de entrada de señal

Tabla 3 Modo NPN/PNP y señales de entrada

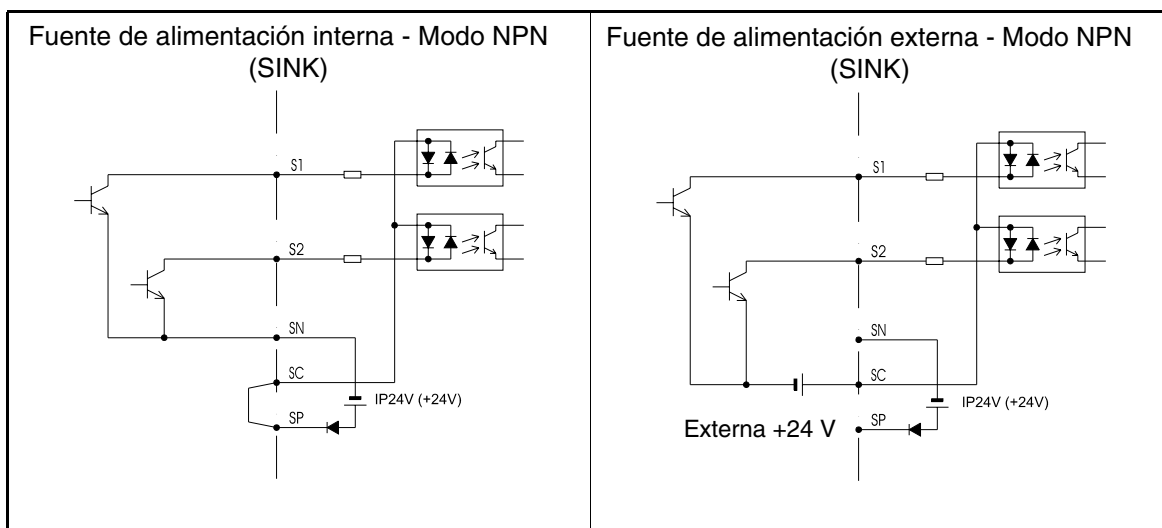
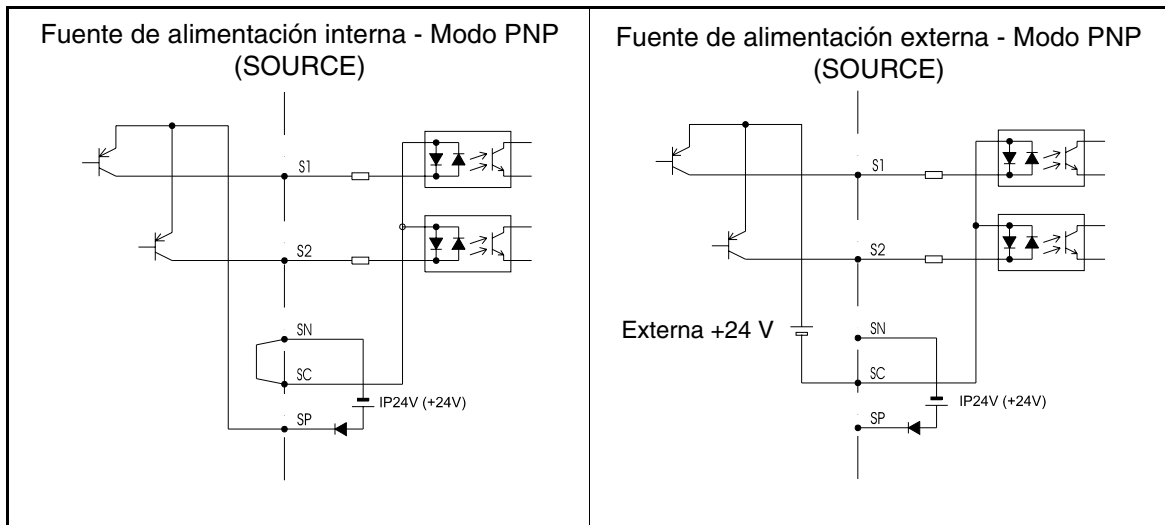


Tabla 3 Modo NPN/PNP y señales de entrada



◆ Cableado de las entradas del circuito principal

Instalación de fusibles

Para proteger el variador se recomienda utilizar fusibles semiconductores como los mostrados en la siguiente tabla.

Tabla 4 Selección de fusibles de entrada

Tipo de variador	Salida nominal del variador Corriente (A)	Selección de fusible			Ejemplo de selección (Ferraz)		
		Tensión (V)	Corriente (A)	I^2t (A ² s)	Modelo	Valor nominal	I^2t (A ² s)
47P5	17	480	30	100~640	A60Q30-2	600 V/30 A	132
4011	24	480	50	150~1300	A70P50-4	700 V/50 A	300
4015	31	480	60	400~1800	A70P70-4	700 V/70 A	590
4018	39	480	70	700~4100	A70P80-4	700 V/80 A	770
4022	45	480	80	240~5800	A70P80-4	700 V/80 A	770
4030	60	480	100	500~5800	A70P100-4	700 V/100 A	1200
4037	75	480	125	750~5800	A70P125-4	700 V/125 A	1900
4045	91	480	150	920~13000	A70P150-4	700 V/150 A	2700
4055	112	480	150	1500~13000	A70P200-4	700 V/200 A	4800

Tenga en cuenta las siguientes precauciones para la entrada de la fuente de alimentación del circuito principal.

- Si se utiliza un interruptor automático de caja moldeada para la conexión de la fuente de alimentación (R/L1, S/L2 y T/L3), asegúrese de que sea adecuado para el variador.
- Si se utiliza un interruptor automático diferencial, debe poder detectar todos los tipos de corriente para garantizar una detección segura de corriente de fuga a tierra.
- Se puede utilizar un contactor magnético u otro dispositivo de conmutación en la entrada del variador. El variador no debe ser encendido más de una vez por hora.
- Las fases de entrada (R/S/T) se pueden conectar en cualquier secuencia.
- Si el variador se conecta a un transformador de potencia de alta capacidad (600 kW o más) o se conmuta cerca un condensador de avance de fase, es posible que circule una corriente de pico excesiva por el circuito de alimentación de entrada causando daños en el variador. Como medida, instale una reactancia de c.a. opcionalmente en la entrada del variador o una reactancia de c.c a los terminales de conexión de reactancia de c.c.
- Utilice un atenuador de sobretensiones o un diodo para cargas inductivas cerca del variador. Las cargas inductivas incluyen contactores magnéticos, relés electromagnéticos, válvulas solenoides, solenoides y frenos magnéticos.

■Cableado del lado de salida del circuito principal

Las siguientes precauciones se deben tener en cuenta para el cableado del circuito de salida.

- Nunca conecte una fuente de alimentación a los terminales de salida del variador. De lo contrario, se puede dañar el variador.
- Nunca cortocircuite o conecte a tierra los terminales de salida. De lo contrario, se puede dañar el variador.
- No utilice condensadores de corrección de fase. De lo contrario, el variador y los condensadores se pueden dañar.
- Compruebe la secuencia de control para asegurarse de que el contactor magnético (MC) entre el variador y el motor no conmute a ON o a OFF durante la operación del variador. Si el contactor magnético conmuta a ON durante la operación del variador, se generará una elevada corriente de irrupción y es posible que se active la protección contra sobrecorriente del variador.

■Conexión de tierra

Las siguientes precauciones se deben tener en cuenta para la conexión a tierra.

- No comparta el cable de tierra con otros dispositivos como equipos de soldadura o herramientas eléctricas.
- Utilice siempre un cable de tierra que cumpla las normativas técnicas sobre equipamiento eléctrico y minimice su longitud.
El variador provoca corriente de fuga. Por lo tanto, si la distancia entre el electrodo de tierra y el terminal de tierra es demasiado larga, el potencial en el terminal de tierra del variador se volverá inestable.
- Cuando utilice varios variadores, no forme lazos en el cable de tierra.

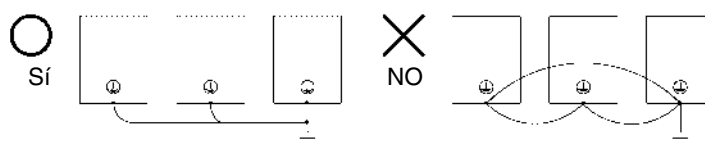


Fig. 7 Cableado a tierra

■Precauciones para el cableado del circuito de control

Tenga en cuenta las siguientes precauciones para el cableado de los circuitos de control.

- Separe el cableado del circuito de control del cableado del circuito principal (terminales R/L1, S/L2, T/L3, B1, B2, ⊖, ⊕1, ⊕2 y ⊕3) y otras líneas de alta tensión.
- Separe el cableado para los terminales del circuito de control MA, MB, MC, M1, M2, M3 y M4 (salidas relé) del cableado a otros terminales del circuito de control.
- Si se utiliza una fuente de alimentación externa auxiliar, ésta deberá ser una fuente contenida en la lista UL Clase 2.
- Utilice cable de par trenzado o cable de par trenzado apantallado para los circuitos de control para prevenir fallos en el funcionamiento.
- Conecte el blindaje de los cables a tierra con la mayor superficie de contacto posible entre el blindaje y tierra.
- El blindaje del cable se debe conectar a tierra en ambos extremos del cable.

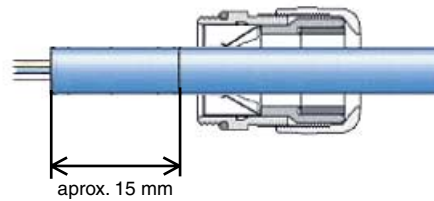
■Instalación de los prensaestopas del cable de alimentación eléctrica

Hay que prestar especial atención al cableado de los cables de motor de los convertidores IP54. Los de capacidad inferior incluyen un prensaestopas de cable CEM que se utiliza para conectar a tierra el apantallado del cable del motor fácilmente.

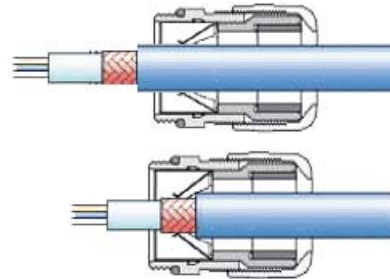
Instalación del prensaestopas de cable metálico (CEM) de los cables del motor en los variadores IP54 de 7,5 a 30 kW:

- Con contacto estándar

Haga un corte alrededor de la capa exterior, con una longitud aproximada de 14 mm desde el extremo del trenzado, pero no retire el trenzado. Guíe el cable por el prensaestopas.



Retire la capa exterior cortada, quite alguna parte del apantallado y tire hacia atrás del cable hasta que el apantallado tenga un contacto correcto con los muelles del prensaestopas de cable.



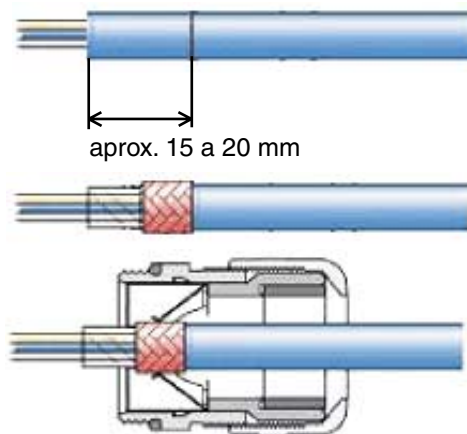
Cierre el prensaestopas de cable.

- Con hilos delgados y sin trenzado interior:

Haga un corte redondo en el trenzado, con una longitud aproximada de 15 a 20 mm y retírelo.

Coloque la protección trenzada sobre el apantallado exterior; el apantallado interior debe mantenerse para que sea más fácil la guía por el prensaestopas.

Guíe el cable por el prensaestopas hasta que el apantallado tenga un contacto correcto con los muelles del mismo y cierre el prensaestopas.



Nota: Para asegurar la conformidad con las regulaciones CEM el cable apantallado debe quedar firmemente sujeto por el prensaestopas de cable metálico. Confirme que se cumplen las especificaciones del terminal y de longitud de los cables antes de ajustar el prensaestopas de cable metálico.

Consideraciones especiales para convertidores IP54 de capacidad de 22 y 30 kW.

Retire la protección trenzada del cable de salida por completo desde el taladro de entrada hasta el extremo del terminal para evitar que se produzcan cortocircuitos en los terminales de entrada del filtro.

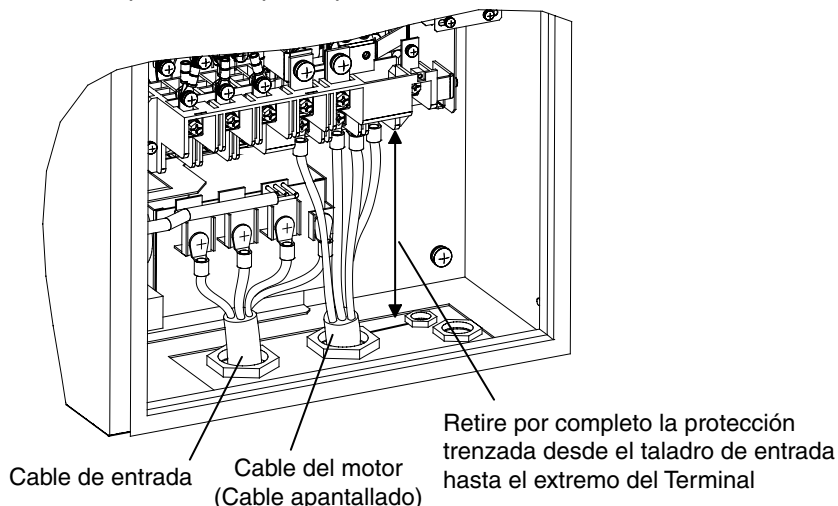


Fig. 8 Apantallado de cables de motor de los variadores de 22 y 30 kW

Instalación de cables de motor en los variadores IP54 de 37 a 55 kW de capacidad

Instale el cable de salida apantallado como se muestra en la figura siguiente. Retire el trenzado exterior y grape la protección trenzada por la grapa de tierra.

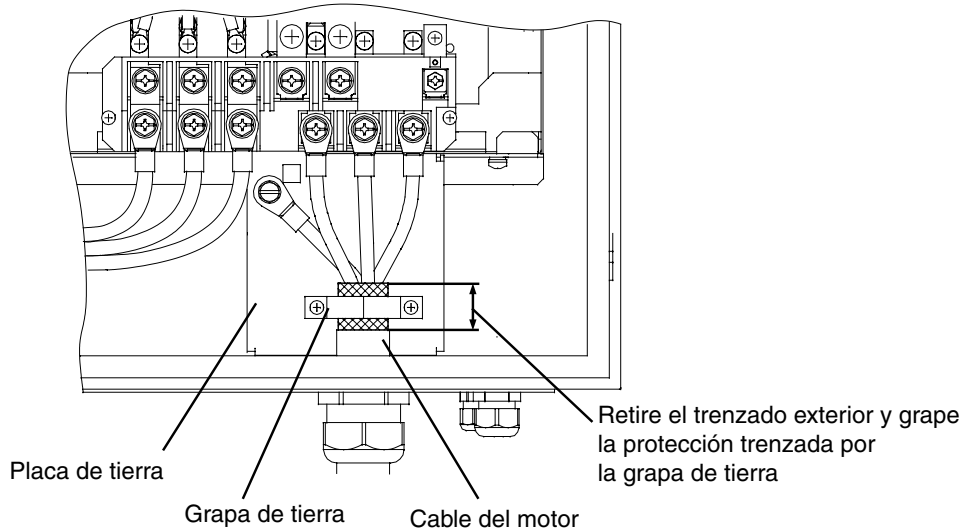


Fig. 9 Grapado de tierra de motores de variadores de 37 a 55 kW

■ Conexión a tierra del apantallado del cable de control en los convertidores IP54

Para un correcto apantallado, los convertidores IP54 incorporan grapas de tierra. La [Fig. 10](#) y la [Fig. 11](#) indican la ubicación de las grapas de tierra.

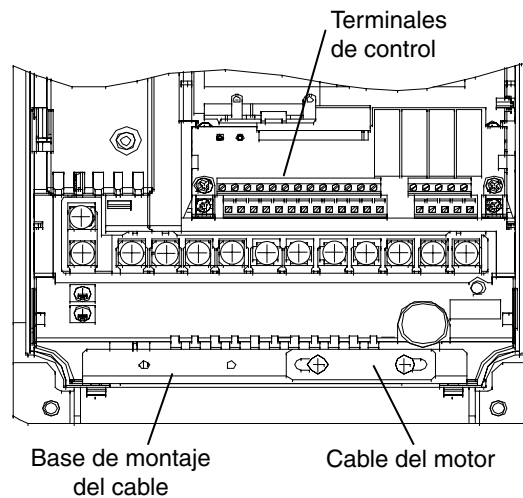


Fig. 10 Grapas de tierra de los variadores IP54 de 7,5 a 18,5 kW de capacidad

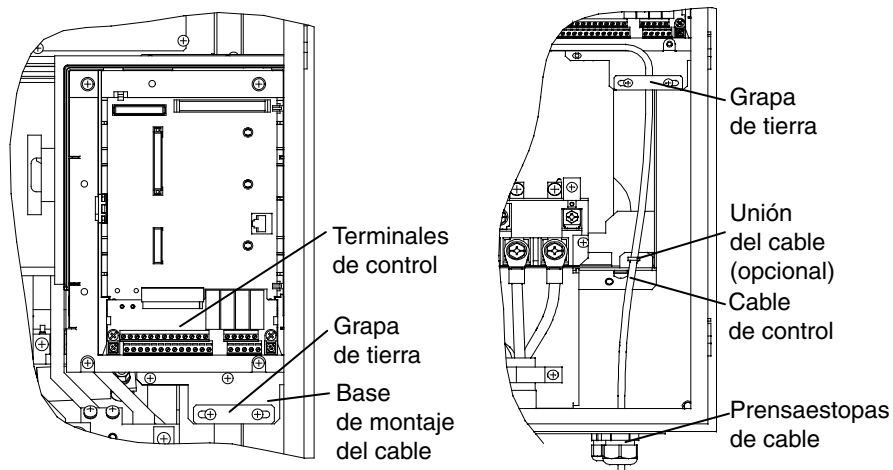
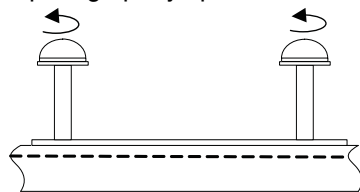
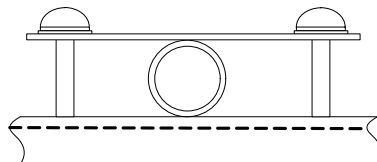


Fig. 11 Grapas de tierra de los variadores IP54 de 22 a 55 kW de capacidad

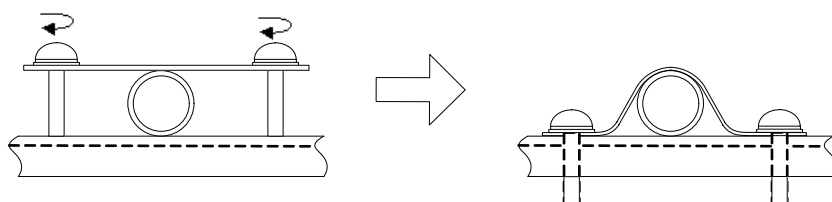
Efectúe el siguiente procedimiento para grapar y apantallar los cables de control de los variadores IP54.



Suelte ambos tornillos de montaje de la grapa de tierra



Inserte el cable apantallado para el control entre la grapa de tierra y la base de montaje del cable



Apriete los tornillos alternativamente hasta que queden fijos en el extremo.

Fig. 12 Procedimiento de puesta a tierra del apantallado del cable de control

Operación de teclado

◆ Visualización del Operador Digital

Los nombres y funciones de las teclas del operador digital se describen más adelante



Indicadores de modo Drive

FWD: Se ilumina cuando se introduce un comando de marcha directa.

REV: Se ilumina cuando se introduce un comando de marcha inversa.

SEQ: Se ilumina cuando se activa el comando de marcha desde el terminal de circuito de control.

REF: Se ilumina cuando se activa la referencia de frecuencia desde los terminales del circuito de control A1 y A2.

ALARM: Se ilumina cuando ha tenido lugar un fallo o una alarma.

Display de datos

Muestra los datos de monitorización, números de parámetros y configuraciones.

Teclas

Ejecutan operaciones tales como la configuración de parámetros de usuario, la monitorización, la operación jog y el autotuning.

■ Teclas del operador digital

Tecla	Nombre	Función
	Tecla LOCAL/REMOTE	Alterna entre la operación mediante el operador digital (LOCAL) y las configuraciones en b1-01 y b1-02 (REMOTE). Esta tecla se puede activar o desactivar configurando el parámetro o2-01.
	Tecla MENU	Selecciona los modos.
	Tecla ESC	Vuelve al estado que existía antes de pulsar la tecla DATA/ENTER.
	Tecla JOG	Activa la operación jog cuando el variador es controlado desde el operador digital.
	Tecla FWD/REV	Selecciona el sentido de rotación del motor cuando el convertidor está siendo operado desde el operador digital.
	Tecla Shift/RESET	Configura el dígito activo cuando se programan parámetros de usuario. También funciona como tecla de reset cuando ha tenido lugar un fallo.
	Tecla Más	Selecciona los números de parámetros de usuario e incrementa las configuraciones de parámetros. Se utiliza para desplazarse al siguiente elemento o dato.
	Tecla Menos	Selecciona los números de parámetros de usuario y disminuye las configuraciones de parámetros. Se utiliza para desplazarse al elemento o dato anterior.
	Tecla DATA/ENTER	Accede a los menús e introduce parámetros, además de validar las configuraciones de parámetros.
	Tecla Run	Inicia la operación cuando el convertidor está siendo controlado por el operador digital (modo LOCAL).
	Tecla STOP	Detiene la operación del convertidor (modo LOCAL y REMOTE). Esta tecla puede ser habilitada o deshabilitada cuando se opera desde una fuente diferente al operador configurando el parámetro o2-02.

Encendido y configuración de parámetros básicos

◆ Procedimiento de arranque

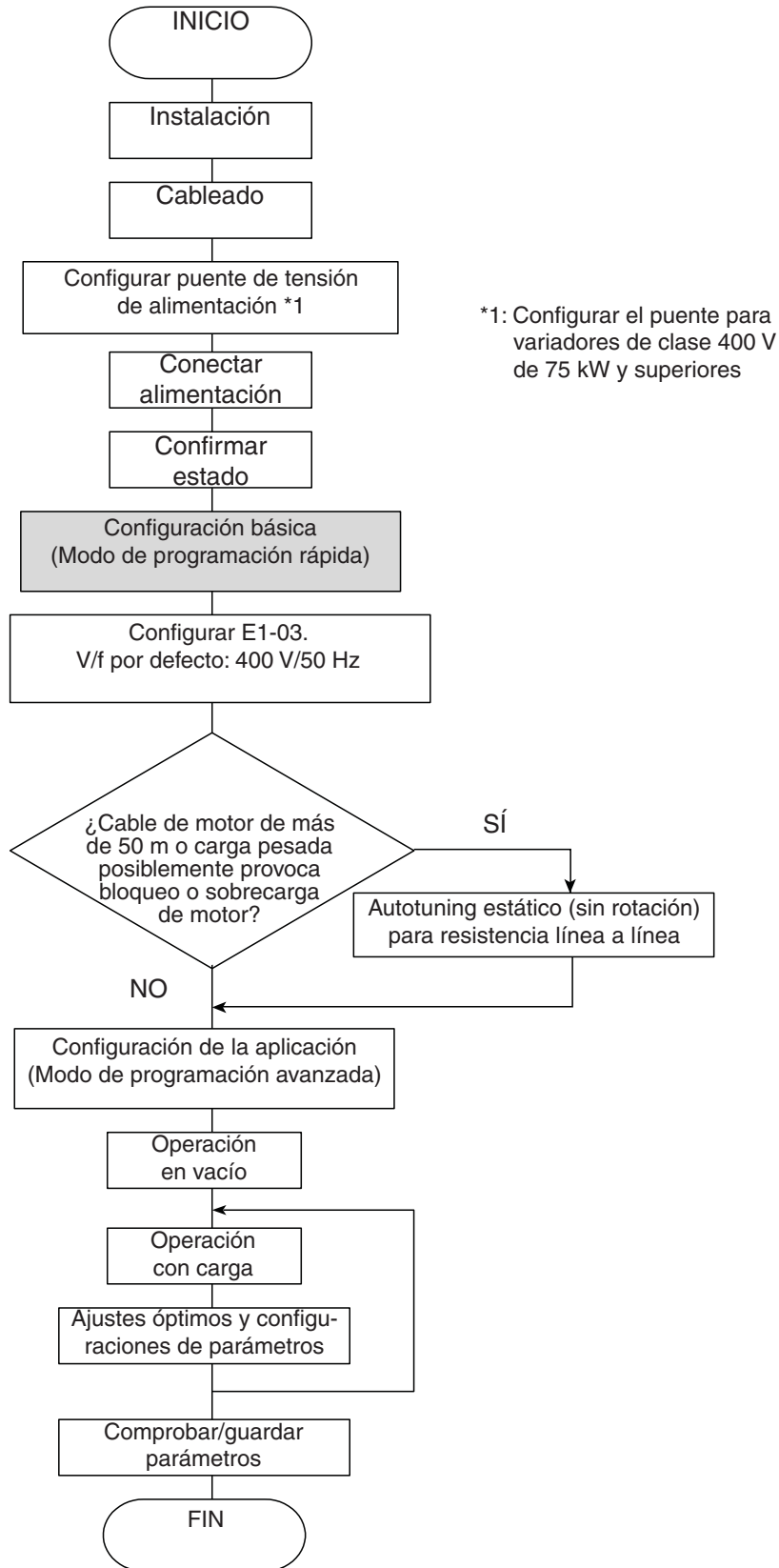


Fig. 13 Diagrama de flujo de operación de prueba

◆ Antes del encendido

Se deben comprobar atentamente los siguientes puntos antes de conectar la alimentación.

- Compruebe que la fuente de alimentación cumple la especificación del variador.
- Compruebe que los cables de la fuente de alimentación están conectados firmemente a los terminales correctos (L1, L2, L3).
- Compruebe que los cables del motor están conectados firmemente a los terminales adecuados del lado del variador (U, V, W) así como del lado del motor.
- Compruebe que la unidad/resistencia de frenado está conectada correctamente.
- Compruebe que el terminal del circuito de control del variador y el dispositivo de control estén cableados correctamente.
- Configure todos los terminales del circuito de control como OFF.
- Si se utiliza una tarjeta PG, compruebe que esté cableada correctamente.

◆ Visualización tras el encendido

Tras un encendido normal sin problemas el display del operador muestra los siguientes mensajes:

Visualización para operación normal

-DRIVE-	Ref. Frecuencia ^{Rdy}
U1-01	= 50,00 Hz
U1-02=	0,00 Hz
U1-03=	0,00 A

La monitorización de referencia de frecuencia se visualiza en la sección de display de datos.

Cuando se ha producido un fallo o una alarma está activa, aparecerá el fallo o el mensaje de alarma. En tal caso, consulte [página 23, Detección y corrección de errores](#).

Visualización para operación de fallo

-DRIVE-
UV
Pérdida de alimentación

En el display se muestra un fallo o un mensaje de alarma. En el ejemplo se muestra una alarma de tensión baja.

◆ Autotuning para resistencia línea a línea

El autotuning se puede utilizar para mejorar el rendimiento cuando se utilicen cables de motor muy largos o cuando el motor y el variador tengan diferentes potencias nominales.

Para realizar el autotuning, configure T1-02 (Potencia nominal del motor) y T1-04 (Corriente nominal del motor) y pulse posteriormente la tecla RUN del operador digital. El convertidor suministrará potencia al motor durante aproximadamente 20 segundos y se medirá automáticamente la resistencia de línea a línea (resistencia del cable y bobinados del estator).



IMPORTANTE

1. Durante el autotuning se suministrará potencia al motor aunque el motor no girará. No toque el motor hasta que el autotuning haya finalizado.
2. Asegúrese de que todos los contactores del motor están cerrados antes de que se inicie el autotuning.
3. Para cancelar el autotuning pulse la tecla STOP del operador digital.

■ Otras alarmas y fallos durante autotuning

Para ver un resumen de las posibles alarmas o fallos de autotuning y las medidas correctivas, consulte la [página 25, Fallos de autotuning](#).

Parámetros de usuario

Nº de parámetro	Nombre	Descripción
Inicialización de datos		
A1-00	Selección de idioma para el display del operador digital (solamente JVOP-160-OY)	0: Inglés 2: Alemán 3: Francés 4: Italiano 5: Español 6: Portugués
A1-01	Nivel de acceso a parámetros	0: Sólo monitorización (monitorización del modo controlador y configuración de A1-01 y A1-04) 1: Se utiliza para seleccionar parámetros de usuario (solamente pueden leerse y configurarse los parámetros configurados en A2-01 a A2-32) 2: Avanzado (pueden leerse y configurarse parámetros tanto en el modo de programación rápida (Q) como en el modo de programación avanzada (A))
A1-03	Inicializar	0: Sin inicialización 1110: Inicializa utilizando los parámetros de usuario 2220: Inicializa utilizando una secuencia de dos hilos. (inicializa según la configuración de fábrica). 3330: Inicializa con una secuencia de tres hilos.
Fuente de secuencia/referencia		
b1-01	Selección de fuente de referencia	Configura el método de entrada de la referencia de frecuencia. 0: Operador digital 1: Terminal de circuito de control (entrada analógica) 2: Comunicación serie (RS422/485) 3: Tarjeta opcional
b1-02	Selección de fuente de comando RUN	Configura el método de introducción del comando RUN. 0: Operador digital 1: Terminal de circuito de control (entradas digitales) 2: Comunicación serie (RS422/485) 3: Tarjeta opcional
b1-03	Selección de método de parada	Selecciona el método de parada cuando se retira la señal RUN 0: Deceleración a la parada 1: Parada por marcha libre 2: Inyección de c.c. a la parada 3: Marcha libre a la parada con temporizador (no se tienen en cuenta los comandos Run durante la marcha libre.)
b1-04	Prohibición de operación en marcha inversa	0: Marcha inversa permitida 1: Marcha inversa prohibida 2: Rotación de fase de salida (activados ambos sentidos de rotación) 3: Rotación de fase de salida con la marcha inversa desactivada.
Búsqueda de velocidad		
b3-01	Selección de búsqueda de velocidad (detección de corriente o cálculo de velocidad)	Activa/desactiva la función de búsqueda de velocidad y configura el método de búsqueda de velocidad. 0: Desactivada, cálculo de velocidad 1: Activada, cálculo de velocidad 2: Desactivada, detección de corriente 3: Activada, detección de corriente

Nº de parámetro	Nombre	Descripción
b3-14	Selección de búsqueda de velocidad bidireccional	Desactiva o activa la capacidad bidireccional de la función de búsqueda de velocidad. 0: Desactivada 1: Activada
Control PI		
b5-01	Selección de modo de control PI	0: Desactivado 1: Activado 3: Control PI habilitado (referencia de frecuencia + salida PI)
b5-02	Ganancia proporcional (P)	Configura la ganancia proporcional del controlador PI. El control P no se realiza cuando la configuración es 0,00.
b5-03	Tiempo de integral (I)	Configura el tiempo de integral del controlador PI. El control I no se realiza cuando la configuración es 0,0 seg.
b5-09	Selección de las características de la salida PI	Selecciona la dirección directa/inversa para la salida PI. 0: La salida PI es directa 1: La salida PI es inversa.
b5-17	Tiempo de aceleración/deceleración para la referencia PI	Configura el tiempo de aceleración/deceleración para el arranque suave PI (SFS).
b5-18	Selección de punto de consigna PI	0: Desactivado 1: Activado
b5-19	Punto de consigna PI	Valor de consigna PI
b5-31	Selección de unidad PI	Selecciona las unidades de los valores del controlador PI (b5-19, U1-24, U1-38).
Configuración de aceleración/deceleración		
C1-□□	Tiempos de aceleración/deceleración	Configura el tiempo para acelerar/decelerar desde 0 Hz hasta la máxima frecuencia de salida.
Configuración de la curva S		
C2-□□	Característica de la curva S en aceleración	Configura la característica de la curva S al inicio y fin de aceleración.
Frecuencia de portadora		
C6-02	Selección de frecuencia de portadora	Selecciona la frecuencia de portadora (la configuración de fábrica depende de la capacidad del variador) 0: Ruido bajo, portadora baja 1: 2,0 kHz 2: 5,0 kHz 3: 8,0 kHz 4: 10,0 kHz 5: 12,5 kHz 6: 15,0 kHz F: Perfil programable
Configuración de velocidad		
d1-01 a d1-04	Referencias de multivelocidad ad 1 a 4	Configura las referencias de multivelocidad.
d1-17	Referencia de frecuencia de operación jog	
Límites de referencia		
d2-01	Límite superior de la referencia de frecuencia	Configura el límite superior de la referencia de frecuencia en porcentaje de la frecuencia de salida máxima (E1-04)
d2-02	Límite inferior de la referencia de frecuencia	Configura el límite inferior de la referencia de frecuencia en porcentaje de la frecuencia de salida máxima (E1-04)

Nº de parámetro	Nombre	Descripción
Configuración de la curva V/f		
E1-01	Configuración de la tensión de entrada	Esta configuración se utiliza como valor de referencia para funciones de protección.
E1-04	Frecuencia de salida máx. (FMAX)	<p>Tensión de salida (V)</p> <p>Para configurar las características de V/f en una línea recta, configure los mismos valores para E1-07 y E1-09. En este caso la configuración para E1-08 no será tenida en cuenta. Asegúrese siempre de que las cuatro frecuencias se configuran en el siguiente orden: E1-04 (FMAX) ≥ E1-06 (FA) > E1-07 (FB) ≥ E1-09 (FMIN)</p>
E1-05	Tensión de salida máx. (VMAX)	
E1-06	Frecuencia base (FA)	
E1-13	Tensión base (VBASE)	
Configuración de datos de motor		
E2-01	Corriente nominal del motor	Configura la velocidad nominal del motor. Configure los valores correctos si se usa la protección térmica del motor.
E2-03	Corriente en vacío del motor	
E2-05	Resistencia de línea a línea del motor	
Configuración de E/S digitales		
H1-01 a H1-05	Selección de función de terminal S3 a S7	Consulte en la página 22, Selecciones de función de entrada digital (H1-01 a H1-05) una lista de selecciones
H2-01 y H2-02	Selección de función de terminal M1-M2 y M3-M4	Consulte en la página 22, Selecciones de función de salida digital (H2-01 y H2-02) una lista de selecciones
Configuración de E/S analógicas		
H3-08	Selección de nivel de señal de la entrada analógica A2	Selecciona el nivel de señal en la entrada analógica multifuncional A2. 0: 0 a +10 V (11 bits). 2: 4 a 20 mA (entrada de 9 bits). 3: 0 a 20 mA (entrada de 9 bits) Asegúrese de cambiar S1-2 a "V" antes de utilizar una entrada de tensión.
H3-09	Selección de función de la entrada analógica A2.	Selecciona la función de la entrada analógica multifuncional para el terminal A2.
H3-13	Alternancia de terminal A1/A2	Selecciona en qué terminal se puede introducir la referencia de frecuencia principal. 0: Utilizar la entrada analógica 1 en el terminal A1 para la referencia de frecuencia principal. 1: Utilizar la entrada analógica 2 en el terminal A2 para la referencia de frecuencia principal.
H4-01	Selección de monitorización de terminal FM	Configura el número del elemento de monitorización que se enviará (U1-□□) al terminal FM/AM.
H4-04	Selección de monitorización de terminal AM	

Nº de parámetro	Nombre	Descripción
H4-05	Ganancia del terminal AM	Configura la ganancia de la salida analógica AM. Configura el porcentaje del valor de monitorización que es igual a 10 V de salida en el terminal AM.
Protección del motor		
L1-01	Selección de protección del motor	0: Desactivado 1: Protección de motor de empleo general (motor refrigerado por ventilador) 2: Protección del motor de variador (motor refrigerado externamente) 3: Protección de motor vectorial Cuando la alimentación del variador se desconecta, se resetea el valor de temperatura, así que incluso si está activado, es posible que la protección no sea efectiva.
Secuencia de pérdida de potencia		
L2-01	Detección de pérdida de alimentación momentánea	0: Desactivada (Detección de baja tensión (UV1) de bus de c.c.) 1: Activada (rearranca cuando la alimentación se restablece dentro del tiempo configurado en L2-02. Cuando se excede L2-02, se detecta baja tensión de bus de c.c.) 2: Activado mientras la CPU opera. (Rearranca cuando la alimentación se restablece durante operaciones de control. No se detecta baja tensión de bus de c.c.)
Prevención de bloqueo		
L3-01	Selección de prevención de bloqueo durante aceleración	0: Desactivada (Aceleración como configurada. Con una carga alta, el motor puede bloquearse). 1: Activada (la aceleración se detiene cuando se excede el nivel L3-02. La aceleración comienza de nuevo cuando la corriente cae por debajo del nivel de prevención de bloqueo). 2: Modo de aceleración inteligente (utilizando el nivel L3-02 como base la aceleración se ajusta automáticamente. El tiempo de aceleración configurado no se tiene en cuenta).
L3-02	Nivel de prevención de bloqueo durante aceleración	Efectiva cuando L3-01 está configurado como 1 ó 2. Se configura como porcentaje de la corriente nominal del variador.
L3-04	Selección de prevención de bloqueo durante deceleración	0: Desactivada (Deceleración como configurada. Si el tiempo de deceleración es demasiado corto, puede producirse una sobretensión en el bus de c.c.) 1: Activada (Se detiene la deceleración cuando la tensión del bus de c.c. excede el nivel de prevención de bloqueo. La deceleración se reinicia cuando la tensión vuelve a caer por debajo del nivel de prevención de bloqueo). 2: Modo inteligente de deceleración (La relación de deceleración se ajusta automáticamente de tal manera que el variador pueda decelerar en el tiempo más corto posible. El tiempo de deceleración configurado no se tiene en cuenta). Cuando se utiliza una opción de freno (unidad de freno), configúrelo siempre como 0.

Nº de parámetro	Nombre	Descripción
L3-05	Selección de prevención de bloqueo durante la marcha	0: Desactivada (marcha como configurada. Con una carga alta, el motor puede bloquearse). 1: Deceleración utilizando el tiempo de deceleración 1 (C1-02). 2: Deceleración utilizando el tiempo de deceleración 2 (C1-04)
L3-06	Nivel de prevención de bloqueo durante la marcha	Efectivo cuando L3-05 es 1 ó 2. Se configura como porcentaje de la corriente nominal del variador.
Rearranque por fallo		
L5-01	Número de intentos de autoarranque	Configura el número de intentos de autoarranque. Rearranca automáticamente tras un fallo y realiza una búsqueda de velocidad desde la frecuencia de marcha.
L5-02	Selección de operación de autoarranque	Configura si un relé de fallo se activa durante el re arranque por fallo. 0: Sin salida (el relé de fallo no se activa.) 1: Salida (el relé de fallo se activa.)
Detección de carga		
L6-01	Selección de detección de carga	0: Detección de carga desactivada. 1: Detección de sobrecarga sólo a la velocidad alcanzada; la operación continúa (alarma). 2: Detección de sobrecarga continuamente durante operación; la operación continúa (alarma). 3: Detección de sobrecarga sólo a la velocidad alcanzada; marcha libre hasta parada (fallo). 4: Detección de sobrecarga continuamente durante operación; marcha libre hasta parada (fallo). 5: Detección de pérdida de carga sólo a la velocidad alcanzada; la operación continúa (alarma). 6: Detección de pérdida de carga continuamente durante operación; la operación continúa (alarma). 7: Detección de pérdida de carga sólo a la velocidad alcanzada; marcha libre hasta parada (fallo). 8: Detección de pérdida de carga continuamente durante operación; marcha libre hasta parada (fallo).
L6-02	Nivel de detección de carga	La corriente nominal del variador se define como 100%.
L6-03	Tiempo de detección de carga	Configura el tiempo de detección de la sobrecarga/pérdida de carga.
Datos monitorizados		
U1-01	Referencia de frecuencia en Hz/r.p.m.	
U1-02	Frecuencia de salida en Hz/r.p.m.	
U1-03	Corriente de salida en A	
U1-06	Tensión de salida en Vc.a.	
U1-07	Tensión de bus de c.c. en Vc.c.	
U1-08	Potencia de salida en kW	

Nº de parámetro	Nombre	Descripción
U1-10	Estado de los terminales de entrada	Muestra el estado de entrada ON/OFF. U1-10= : : : : : : : : 1: Comando de marcha directa (S1) está ON 1: Comando de marcha inversa (S2) está ON 1: Entrada multifunción 1 (S3) está ON 1: Entrada multifunción 2 (S4) está ON 1: Entrada multifunción 3 (S5) está ON 1: Entrada multifunción 4 (S6) está ON 1: Entrada multifunción 5 (S7) está ON
U1-11	Estado de los terminales de salida	Muestra el estado de salida ON/OFF. U1-11= : : : : : : : : 1: Salida de contacto multifuncional 1 (M1-M2) está ON 1: Salida de contacto multifuncional 2 (M3-M4) está ON 1: Salida de contacto multifuncional 3 (M5-M6) está ON No se utiliza (Siempre 0). 1: Salida de error (MA/MB-MC) está ON
U1-12	Estado de operación	Estado de operación del variador. U1-12= : : : : : : : : Marcha directa 1: Velocidad cero 1: Marcha inversa 1: Entrada de señal de reset 1: Velocidad alcanzada 1: Variador preparado 1: Fallo leve 1: Fallo grave
U1-13	Tiempo de operación acumulativo en horas	
U1-24	Valor de realimentación PI en %	
U1-29	Display de energía acumulada 1 en kWh	
U1-30	Display de energía acumulada 2 en MWh	
U1-34	Parámetro de fallo OPE	
U1-36	Volumen de entrada PI en %	
U1-37	Volumen de salida PI en %	
U1-38	Volumen de consigna PI en %	
U1-40	Tiempo de operación del ventilador de refrigeración en horas	
U1-53	Realimentación PI 2 en %	
Datos de seguimiento de fallos		
U2-01	Fallo actual	
U2-02	Último fallo	
U2-03	Referencia de frecuencia en el fallo	
U2-04	Frecuencia de salida en el fallo	
U2-05	Corriente de salida en el fallo	
U2-07	Referencia de tensión de salida en el fallo	
U2-08	Tensión del bus de c.c. en el fallo	
U2-09	Potencia de salida en el fallo	
U2-11	Estado de los terminales de entrada en el fallo	
U2-12	Estado de los terminales de salida en el fallo	
U2-13	Estado de operación en el fallo	
U2-14	Tiempo de operación acumulativo en el fallo	
Datos del histórico de fallos		
U3-01 a U3-04	Del último al cuarto fallo	
U3-05 a U3-08	Tiempo de operación acumulativo en el fallo 1 a 4	
U3-09 a U3-14	Del quinto al décimo fallo	
U3-15 a U3-20	Tiempo acumulado del quinto al décimo fallo	
* Los siguientes fallos no se guardan en el registro de errores: CPF00, 01, 02, 03, UV1 y UV2.		

Configuración	Descripción
Selecciones de función de entrada digital (H1-01 a H1-05)	
3	Referencia de multivelocidad 1
4	Referencia de multivelocidad 2
6	Comando de frecuencia de operación jog (prioridad más alta que la referencia de multivelocidad)
F	No se utiliza (configurado cuando un terminal no se usa)
14	Reset de fallo (reset si en ON)
19	Desactivación de control PI
20 a 2F	Fallo externo, modo de entrada: Contacto NA/contacto NC, Modo de detección: Normal/durante operación
Selecciones de función de salida digital (H2-01 y H2-02)	
0	Durante marcha 1 (ON: el comando RUN está en ON o hay salida de tensión)
6	Variador listo para operación; READY: Tras inicialización o sin fallos
F	No se utiliza. (Configurado cuando el terminal no se utiliza).

Detección y corrección de errores

Los fallos y las alarmas indican un estado anómalo del variador/aplicación.

Una alarma no desconecta necesariamente el variador, sino que muestra un mensaje en el operador (es decir, un código de alarma que parpadea) y se puede generar una salida de alarma en las salidas multifuncionales (H2-01 a H2-02) si así se ha programado. Una alarma desaparece automáticamente si ya no está presente la condición de alarma.

Un fallo desconecta la salida del variador inmediatamente, se muestra un mensaje en el teclado y se conmuta la salida de fallo. Se debe hacer un reset manual del fallo después de haber eliminado la causa y la señal RUN.

En la siguiente tabla se muestra una lista de fallos y alarmas con sus acciones correctivas.

Tabla 5 Lista de alarmas y fallos

Visualizador	Alarma	Fallo	Significado	Acciones correctivas
BUS Err Com Opcion		○	Alarma de tarjeta opcional de comunicaciones Tras haber establecido la comunicación inicial se ha perdido la comunicación.	Compruebe las conexiones y todas las configuraciones de usuario del software.
CPF00 COM- ERR(OP&INV)		○	Fallo de comunicación del operador digital • Fallo de comunicación entre el operador y el variador • Fallo de RAM de CPU externa	<ul style="list-style-type: none"> • Desconecte el operador digital y vuelva a conectarlo. • Conecte/desconecte la fuente de alimentación del variador. • Sustituya el variador.
CPF01 COM- ERR(OP&INV)				
CPF0x		○	Fallo CPF02, CPF03, CPF04 • Error del circuito baseblock • Error de EEPROM • Fallo convertidor A/D interno CPU	<ul style="list-style-type: none"> • Realice una inicialización a valores predeterminados de fábrica. • Conecte/desconecte la fuente de alimentación del variador. • Sustituya el variador.
EF Fallo externo	○		Comandos de marcha directa/inversa introducidos a la vez Los comandos de marcha directa y de marcha inversa se han introducido simultáneamente durante 500 ms o más. Esta alarma detiene el motor.	Compruebe la lógica de la secuencia externa, de tal manera que solamente se active una entrada cada vez.
EF0 Fallo Exter Opc		○	Entrada de fallo externo desde tarjeta opcional de comunicaciones	<ul style="list-style-type: none"> • Compruebe la existencia de condición de fallo externo. • Verifique los parámetros. • Verifique las señales de comunicaciones.
Efx Ext Fault Sx	○	○	Fallo externo en el terminal Sx (x se refiere a los terminales S3 a S7)	Elimine la causa de la condición de fallo externo.
Run Ext Activo No es posible Resetear	○		Se detecta después de un fallo cuando se recibe un comando RESET mientras el comando RUN sigue activo	Retire en primer lugar la señal RUN y resetee el error.
GF Fallo de tierra		○	Fallo de tierra La corriente de tierra en la salida del variador ha excedido el 50% de la corriente nominal de salida del variador y L8-09 = 1 (activado).	<ul style="list-style-type: none"> • Retire el motor y haga funcionar el variador sin el motor. • Compruebe la existencia de alguna fase del motor cortocircuitada a tierra. • Compruebe la corriente de salida con un amperímetro de pinza para verificar la lectura de DCCT. • Compruebe la existencia de señales de contactor de motor erróneas en la secuencia de control.
LL3 Detección de pérdida de carga	○	○	Pérdida de carga Se ha detectado una pérdida de carga del motor según la configuración de L6-01 a L6-03.	<ul style="list-style-type: none"> • Asegúrese de que la configuración de L6-02 y L6-03 es adecuada. • Compruebe el sistema mecánico (conexión mecánica de la carga, por ejemplo, la correa).
OC Sobrecorriente		○	Sobrecorriente La corriente de salida ha excedido el nivel de detección de sobrecorriente.	<ul style="list-style-type: none"> • Retire el motor y haga funcionar el variador sin el motor. • Compruebe la existencia de cortocircuito fase a fase en el motor. • Verifique los tiempos de aceleración/ deceleración (C1-□□). • Compruebe la existencia de cortocircuito fase a fase en la salida del variador.

Visualizador	Alarma	Fallo	Significado	Acciones correctivas
OH Sobre-temperatura del dissipador		○	Sobrecalentamiento del dissipador L8-03 = 0,1 ó 2 y la temperatura del dissipador de refrigeración del variador ha excedido el valor de L8-02. Se ha detenido el ventilador de refrigeración del variador	<ul style="list-style-type: none"> • Compruebe la existencia de suciedad en el ventilador o en el dissipador térmico. • Reduzca la temperatura ambiente alrededor del variador. • Sustituya el(los) ventiladores de refrigeración.
		○	L8-03 = 3 ó 4 y la temperatura del dissipador de refrigeración del variador ha excedido el valor de L8-02.	
OH1 Temperatura máxima del dissipador térmico		○	Sobrecalentamiento del dissipador térmico La temperatura del dissipador térmico del variador ha excedido 105°C. Se ha detenido el ventilador de refrigeración del variador	<ul style="list-style-type: none"> • Compruebe la existencia de suciedad en los ventiladores o el dispositivo de disipación térmica. • Reduzca la temperatura ambiente alrededor del variador. • Sustituya el(los) ventiladores de refrigeración.
OL1 Sobrecarga del motor		○	Sobrecarga del motor Se detecta cuando L1-01 está configurado en 1, 2 ó 3 y el valor I ^{2t} del variador ha excedido la curva de sobrecarga. La curva de sobrecarga es ajustable utilizando el parámetro E2-01 (Corriente nominal del motor), L1-01 (Selección de protección del motor) y L2-02 (Constante de tiempo de protección del motor)	<ul style="list-style-type: none"> • Vuelva a comprobar el tiempo de ciclo y la magnitud de la carga, así como los tiempos de aceleración/deceleración (C1-□□). • Compruebe las características de V/f (E1-□□). • Compruebe la configuración de la corriente nominal del motor (E2-01).
OL2 Sob.carg Conv		○	Sobrecarga del variador La corriente de salida del variador ha excedido la capacidad de sobrecarga del variador.	<ul style="list-style-type: none"> • Vuelva a comprobar el tiempo de ciclo y la magnitud de la carga, así como los tiempos de aceleración/deceleración (C1-□□). • Compruebe las características de V/f (E1-□□). • Compruebe si la corriente nominal del variador coincide con la corriente nominal del motor.
OV Sobretens. Bus c.c.	○ (sólo en condición de parada)	○	La tensión del bus de c.c. ha excedido el nivel de detección de sobretensión. Los niveles de detección predeterminados son: Clase 200 V: 410 Vc.c. Clase 400 V: 820 Vc.c.	<ul style="list-style-type: none"> • Incremente el tiempo de deceleración (C1-02/04) o conecte una opción de frenado. • Compruebe la fuente de alimentación y disminuya la tensión para adecuarla a las especificaciones del variador. • Compruebe la resistencia/transistor de frenado.
PF Pérdida de fase de entrada		○	Pérdida de fase de entrada Fluctuación de tensión de bus de c.c. demasiado grande. Sólo se detecta cuando L8-05 = 1 (activado)	<ul style="list-style-type: none"> • Apriete los tornillos de los terminales de entrada • Compruebe la tensión de alimentación
PUF Fusible de bus de c.c abierto		○	Fusible de bus de c.c abierto El fusible del circuito principal está fundido. Advertencia: Nunca haga funcionar el variador tras sustituir el fusible del bus de c.c. sin comprobar la existencia de cortocircuito en los componentes.	<ul style="list-style-type: none"> • Compruebe la existencia de cortocircuito o fallos de aislamiento en el motor y en los cables del motor (fase a fase). • Sustituya el variador tras solucionar el fallo.
UV1 Baja tensión Bus c.c.	○ (sólo en condición de parada)	○	La tensión del bus de c.c. está por debajo del nivel de detección de baja tensión (L2-05). La configuración predeterminada es: Clase 200 V: 190 Vc.c. Clase 400 V: 380 Vc.c.	<ul style="list-style-type: none"> • Compruebe la tensión de entrada. • Compruebe el cableado de los terminales de entrada. • Compruebe la tensión de entrada y el cableado de los terminales de entrada. • Aumente la configuración de C1-01/03
			Fallo de operación del contactor MC del circuito principal sin respuesta del contactor MC durante la operación del variador.	
UV2 Baja tensión CTL PS		○	Tensión insuficiente de la fuente de alimentación de control Tensión insuficiente del circuito de control mientras el variador estaba en funcionamiento.	<ul style="list-style-type: none"> • Retire todas las conexiones a los terminales de control y conecte/desconecte la alimentación del variador. • Sustituya el variador.

◆ Errores de programación del operador

Un error de programación del operador (OPE) se produce cuando se configuran incorrectamente dos o más parámetros relacionados entre sí o una configuración de parámetro individual es incorrecta. El variador no opera hasta que el valor del parámetro se corrija; a pesar de todo, no se producirán otras salidas de alarma o fallo. Si ocurre un OPE, cambie el parámetro relacionado comprobando la causa mostrada en la tabla siguiente. Cuando se visualice un error OPE, pulse la tecla ENTER para ver U1-34 (OPE Detectado). Se visualiza el parámetro que está causando el error OPE.

Tabla 6 Lista de errores de programación del operador digital

Visualizador	Significado	Acciones correctivas
OPE01 Selección kVA	Error de configuración de kVA	Introduzca la configuración de kVA correcta en o2-04.
OPE02 Límite	Configuración de parámetro fuera de su rango	Verifique la configuración del parámetro.
OPE03 Terminal	Error de selección de entrada multifuncional Se ha producido uno de los siguientes errores en la configuración de entrada multifuncional (H1-01 a H1-05): <ul style="list-style-type: none"> • Se han seleccionado funciones duplicadas. • Los comandos UP/DOWN (ajustes 10 y 11) no se han configurado simultáneamente. • Los comandos UP/DOWN (10 y 11) y el mantenimiento de rampa de aceleración/deceleración (A) se han establecido al mismo tiempo. • Se han configurado simultáneamente varias entradas de búsqueda de velocidad (61, 62, 64). • Se han configurado simultáneamente los baseblocks externos NA (8) y NC (9). 	Verifique la configuración del parámetro en H1-□□
OPE03 Terminal	<ul style="list-style-type: none"> • Los comandos UP/DOWN (10 y 11) se han seleccionado mientras el control PI (b5-01) estaba activado. • Los comandos de parada de emergencia NA y NC se han establecido al mismo tiempo. • Los parámetros de precalentamiento del motor (60) y precalentamiento del motor 2 (80) se han establecido simultáneamente. • Emergencia de marcha directa (81) y emergencia de marcha inversa (82) se han establecido simultáneamente. 	Verifique la configuración del parámetro en H1-□□
OPE05 Sequence Select	Error de selección de comando RUN/referencia La selección de fuente de referencia b1-01 y/o el parámetro de selección de fuente de marcha RUN b1-02 están configurados como 3 (tarjeta opcional), pero no hay ninguna tarjeta opcional instalada.	<ul style="list-style-type: none"> • Verifique que la tarjeta está instalada. Desconecte la alimentación y vuelva a instalar la tarjeta opcional • Compruebe de nuevo la configuración de b1-01 y b1-02.
OPE09 Selección PI	Error de configuración de control PI Las siguientes configuraciones se han realizado simultáneamente. <ul style="list-style-type: none"> • b5-01 (selección de modo de control PID) se ha configurado con un valor distinto de 0. • b5-15 (nivel de operación de función de inactividad PI) se ha configurado con un valor distinto de 0. • b1-03 (selección de método de detención) se ha configurado como 2 ó 3. 	Compruebe la configuración de los parámetros b5-01, b5-15 y b1-03.
OPE10 Conf Patrón V/f	Error de configuración de parámetro de la curva V/f	Compruebe los parámetros (E1-□□). Un valor de frecuencia/tensión puede estar configurado más alto que la frecuencia/tensión máxima.

◆ Fallos de autotuning

En este apartado se muestran los fallos de autotuning. Cuando se detectan los siguientes fallos, el fallo se visualiza en el operador digital y el motor marchará libre hasta detenerse. No se operan salidas de fallo o alarma.

Tabla 7 Lista de fallos de autotuning

Visualizador	Significado	Acciones correctivas
Er – 01 Fallo	Fallo de datos del motor	<ul style="list-style-type: none"> • Compruebe los datos de entrada. • Compruebe la capacidad del motor y del variador. • Compruebe el ajuste de la corriente nominal del motor.
Er – 02 Fallo leve	Alarma	<ul style="list-style-type: none"> • Compruebe los datos de entrada. • Compruebe el cableado y la máquina. • Compruebe la carga.
Er – 03 Tecla STOP	Pulsación de la tecla STOP	–
Er – 04 Resistencia	Fallo de resistencia de línea a línea <ul style="list-style-type: none"> • El autotuning no se ha realizado en el tiempo especificado. • El resultado de autotuning está fuera del rango de ajuste del parámetro 	<ul style="list-style-type: none"> • Compruebe los datos de entrada. • Compruebe el cableado del motor.
End – 3 Alm FLA Nom	Alarma de configuración de corriente nominal Se visualiza después de completado el autotuning Durante el autotuning, el valor medido de la corriente nominal del motor (E2-01) era mayor que el valor seleccionado.	Compruebe el valor de la corriente nominal del motor.

Guide de démarrage rapide de l'E7Z

Sommaire

Avertissements	FR-2
◆ Précautions de sécurité et instructions d'utilisation	FR-3
◆ Compatibilité CEM	FR-4
Installation	FR-5
◆ Installation mécanique	FR-5
◆ Connexions électriques	FR-7
◆ Bornes de circuit principal	FR-8
◆ Câblage des entrées du circuit principal	FR-11
Fonctionnement du clavier	FR-16
◆ Écran de la console numérique	FR-16
Configuration du démarrage et définition des paramètres de base	FR-17
◆ Procédure de démarrage	FR-17
◆ Avant le démarrage	FR-18
◆ Affichage après le démarrage	FR-18
◆ Autoréglage pour résistance de ligne-à-ligne	FR-18
Paramètres utilisateur	FR-19
Dépannage	FR-23
◆ Erreurs de programmation de la console	FR-24
◆ Erreurs d'autoréglage	FR-25

Avertissements



PRÉCAUTION

Il est strictement interdit de brancher ou de débrancher des câbles ou de procéder à des tests de signalisation lorsque l'appareil est sous tension.

Le condensateur du bus c.c. du Varispeed E7 reste chargé d'électricité même lorsque l'alimentation est coupée. Pour éviter tout risque d'électrocution, débrancher le variateur de fréquence du secteur avant de procéder à son entretien. Et patienter 5 minutes après extinction des LED.

Ne procéder à aucun test de rigidité sur aucun élément du variateur. Il comporte en effet des éléments semi-conducteurs qui ne peuvent pas supporter des tensions aussi élevées.

Il est interdit d'enlever la console numérique lorsque l'appareil est encore sous tension.

Il est également interdit de toucher aux circuits imprimés lorsque le variateur est sous tension.

Ne jamais raccorder des filtres de suppression de bruit LC / LR, des condensateurs ou des appareils de protection contre les surtensions à une entrée ou une sortie de variateur.

Pour éviter l'affichage d'erreurs de surtension, etc. inutiles, les contacts de signalisation de tout contact ou interrupteur placé entre le variateur et le moteur doivent être intégrés dans la logique de contrôle du variateur (l'étage de sortie par exemple).

Ceci est d'une importance capitale :

Lire consciencieusement le présent manuel avant de raccorder ou utiliser le variateur. Il est impératif de respecter toutes les précautions et instructions de sécurité.

Utiliser le variateur avec les filtres de ligne appropriés et en respectant les instructions d'installation du présent manuel, tout couvercle rabattu et toute borne protégée.

Ce n'est qu'après cela que toutes les mesures de sécurité seront effectivement respectées. Ne pas raccorder ou utiliser un équipement apparemment endommagé ou sur lequel il manque des éléments. La société utilisant l'appareil est responsable de toute blessure ou tout endommagement de matériel causé par le non-respect des avertissements contenus dans le présent manuel.

◆ Précautions de sécurité et instructions d'utilisation

■ Généralités

Lire attentivement les précautions de sécurité et les instructions d'utilisation avant d'installer et d'utiliser le variateur. Contrôler également les dispositifs de sécurité du variateur et vérifier régulièrement leur état de fonctionnement (dommage ou démontage).

Il est possible d'accéder aux éléments sous tension et aux éléments chauds pendant l'utilisation de l'appareil. Vous risquez sérieusement de vous blesser et d'endommager le matériel si vous enlevez des éléments du carter, de la console numérique, des couvercles de bornes ou en ouvrant la porte du variateur lorsque ceux-ci ne sont pas correctement installés ou utilisés. Le fait que les variateurs de fréquences contrôlent des appareils mécaniques en mouvement peut générer d'autres risques.

Il est impératif de respecter les instructions du présent manuel. Toute installation, opération ou toute opération d'entretien doit être effectuée par du personnel qualifié. Pour des raisons de sécurité, le personnel qualifié doit être désigné comme personne habituée à installer, démarrer, utiliser et effectuer l'entretien des variateurs de fréquences et il doit disposer des qualifications requises en la matière. Il n'est possible d'utiliser ces unités en toute sécurité que lorsqu'elles sont utilisées correctement et pour l'utilisation pour laquelle elles ont été conçues.

Les condensateurs de bus c.c. restent actifs 5 minutes environ après coupure du courant. Il est donc impératif de patienter 5 minutes avant d'ouvrir les couvercles. Toutes les bornes de raccordement électriques peuvent se charger d'électricité.

L'accès des enfants et autres personnes non autorisées aux variateurs est strictement interdit.

Conserver les consignes de sécurité et les instructions d'utilisation à portée de main et les remettre à toute personne ayant accès aux variateurs.

■ Limites d'utilisation des variateurs

Les variateurs de fréquences sont conçus pour être utilisés avec des systèmes ou des appareils électriques.

Ils doivent être installés sur ces appareils ou systèmes en respectant les normes et directives de basse tension suivantes :

EN 50178, 1997-10,	Systèmes d'alimentation électrique avec des appareils électriques
EN 60204-1, 1997-12	Sécurité des appareils et équipement avec des appareils électriques 1ère partie Configuration préalable (CEI 60204-1 : 1997) / Remarque importante : inclut le rectificatif de septembre 1998
EN 61010-1, A2, 1995	Conditions de sécurité pour les équipements de technologie de l'information (CEI 950, 1991 + A1, 1992 + A2, 1993 + A3, 1995 + A4, 1996, modifiée)

La norme CE a été intégrée dans la norme EN 50178 en cas d'utilisation des filtres de ligne spécifiés dans le présent manuel et en tenant compte des instructions d'installation concernées.

■ Transport et stockage

Les instructions de transport, de stockage et de manipulation de l'appareil doivent être respectées en accord avec les caractéristiques techniques de l'appareil.

■ Installation

Installer et refroidir les variateurs comme indiqué dans la documentation technique. Insuffler l'air de refroidissement dans la direction indiquée. Il n'est donc possible d'utiliser le variateur que dans la position indiquée (debout par exemple). Respecter les distances indiquées. Protéger les variateurs contre les charges non autorisées. Il est interdit de plier les composants ou de modifier les distances d'isolement. Pour éviter tout dommage causé par électricité statique, ne pas toucher les composants ou les contacts électroniques.

■ Connexions électriques

Effectuer tout travail sur les équipements sous tension en respectant la réglementation nationale de prévention des accidents du travail et la réglementation nationale de sécurité. Effectuer les installations électriques en respectant la réglementation en vigueur. Respecter surtout les instructions d'installation concernant la compatibilité électromagnétique (CEM), le blindage, la mise à la masse et le placement des câbles par exemple. Cela s'applique également aux équipements dotés du label CE. Le fabricant est responsable du système ou des machines en matière de respect des normes CEM.

Se renseigner auprès du fournisseur ou représentant Omron Yaskawa Motion Control en cas d'utilisation d'un disjoncteur de circuit de courant de fuite avec les variateurs de fréquences.

Il est possible qu'il soit nécessaire, sur certains systèmes, d'utiliser des appareils de surveillance et de sécurité supplémentaires pour respecter la réglementation sur la sécurité et la prévention des accidents. Il est alors nécessaire de modifier le matériel du variateur de fréquence.

■ Remarques

Les variateurs de fréquence Varispeed E7 IP54 sont certifiés CE.

◆ Compatibilité CEM

■ Introduction

Ce manuel a été conçu pour aider les fabricants de systèmes utilisant les variateurs OMRON YASKAWA Motion Control (OYMC) à élaborer et installer des appareils de connexion électrique. Il décrit aussi les mesures nécessaires pour respecter les directives CEM. Il est, de ce fait, impératif de respecter les instructions du manuel d'installation et les instructions de câblage.

Les produits Omron sont contrôlés par des instituts agréés utilisant les normes suivantes :

Normes de produits : EN 61800-3 : 1996, EN 61800-3, A11 : 2000

■ Mesures pour garantir la conformité des variateurs de fréquence avec les directives CEM

Il n'est pas nécessaire d'installer les variateurs de fréquence OYMC dans une armoire électrique.

Il n'est pas possible de donner toutes les instructions en détails de toutes les configurations possibles d'installation. Le présent manuel se limite donc aux instructions générales.

Tout équipement électrique génère des interférences radio et des interférences. Les câbles transmettent ces interférences à leur environnement comme une antenne radio.

En raccordant un équipement électrique (par exemple un moteur) à une source d'alimentation sans filtre de câblage, il est possible que des interférences HF ou LF pénètrent dans le réseau principal d'alimentation (un filtre en ligne est intégrée dans le variateur).

La solution, dans un premier temps, est d'isoler le câble de commande, les composants d'alimentation, la masse et les câbles blindés.

Il est nécessaire de disposer d'une grande surface de contact pour une faible impédance des interférences HF. Il est également recommandé d'utiliser des bandes de blindage plutôt que des câbles.

De plus, connecter les câbles blindés avec des clips prévus à cet effet.

■ Agencement des câbles

Mesures à l'encontre des interférences issues des câbles

Le variateur Varispeed E7 IP54 est équipé d'un filtre CEM interne. Afin de garantir les meilleures performances du filtre, veillez à bien suivre les instructions de montage au sujet des raccordements de blindage. Utiliser un câble de moteur raccordé à la terre.

- Utiliser un câble blindé en tresse.
- Mettre le plus de surface de blindage possible à la masse. Il est recommandé de mettre le blindage à la masse en raccordant le câble à la plaque de masse avec des clips en métal.
- Mettez les blindages de câblage, aux deux extrémités, à la masse puis reliez le moteur de la machine à la terre.

Installation

◆ Installation mécanique

■ Déballage du variateur

Vérifiez les éléments suivants après avoir déballé le variateur.

Élément	Méthode
Le variateur livré correspond-il au modèle commandé ?	Vérifiez la référence du modèle (plaque placée située sur le côté du variateur).
Le variateur est-il endommagé ?	Inspectez la surface extérieure du variateur pour détecter toute éraflure ou tout autre dommage résultant de l'expédition.
Des vis ou autres composants sont-ils desserrés ?	Utilisez un tournevis ou d'autres outils pour vérifier le serrage des composants.

Contrôlez aussi que les composants suivants sont bien livrés avec le variateur IP54.

Nom du composant	Qté
Presse-étoupe (pour entrée)	1
Presse-étoupe (pour sortie moteur)	1
Presse-étoupe (pour commande)	1
Presse-étoupe (pour Fieldbus)	1
Clé de porte	1
Prise borgne (entrée de câble de commande)	1
Prise borgne (entrée de câble Fieldbus)	1

En cas d'anomalies constatées parmi les éléments indiqués ci-dessus, contactez immédiatement votre revendeur ou votre représentant Omron Yaskawa Motion Control.

■ Vérification du site d'installation

Observez les précautions suivantes lors du montage du variateur.

- Installez le variateur dans un endroit propre sans brume d'huile ni poussière.
- Lors de l'installation ou de la mise en marche du variateur, prenez toujours un soin particulier à ce que les poussières de métaux, d'huile, d'eau ou d'autres corps étrangers ne pénètrent pas dans le variateur.
- N'installez pas le variateur sur un matériau combustible, tel que le bois.
- Installez le variateur dans un endroit ne contenant aucune matière radioactive et aucun matériau combustible.
- Installez le variateur dans un endroit ne contenant ni gaz ni liquide nocifs.
- Installez le variateur dans un endroit qui n'est pas exposé à des vibrations excessives.
- Installez le variateur dans un endroit ne contenant aucun chlorure.
- Installez le variateur dans un endroit à l'abri de la lumière directe du soleil.
- Les variateurs IP54 offrent une protection contre les poussières non conductrices et les éclaboussures quelle que soit la direction d'origine. Installez les variateurs dans des locaux chauffés et un environnement contrôlé afin d'éviter toute condensation à l'intérieur de l'appareil. Veillez à éviter tout contact avec l'eau et la poussière lors du raccordement du variateur IP54.
- Vérifiez que les verrouillages de porte sont fermés avant de transporter le variateur. Maintenez toujours le boîtier lors du transport du variateur et ne le portez pas par la porte ou les presse-étoupes. Si les verrous de porte sont ouverts ou si vous tenez le variateur par la porte (ou les presse-étoupes) lorsque vous portez le corps principal du variateur, ce dernier risque de tomber et vous risquez de vous blesser.
- Veillez surtout à ne pas endommager les presse-étoupes lors du levage de l'appareil. Vous risquez sinon d'endommager l'appareil en cas de pénétration d'eau ou de poussière. Montez les raccords de blindage attachés pour les options et vérifiez si les bornes sont branchées.
- Veillez surtout à ne pas endommager les presse-étoupes lors de l'installation.

■ Orientation pour l'installation

Installez le variateur verticalement de manière à ne pas réduire l'effet de refroidissement. Lors de l'installation du variateur, conservez toujours l'espace requis comme suit pour permettre une dissipation normale de la chaleur.

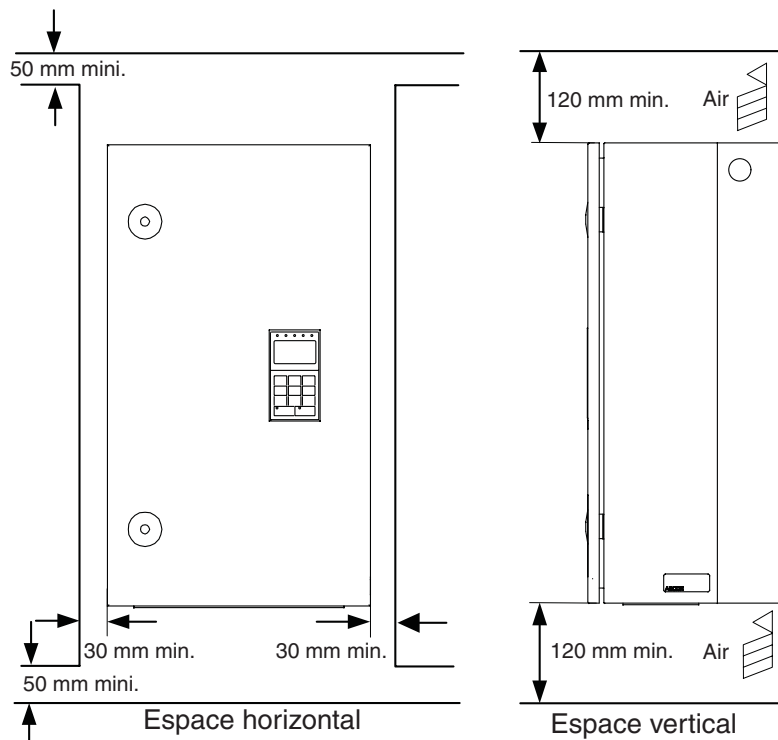


Fig. 1 Espace d'installation

◆ Connexions électriques

■ Câblage du variateur

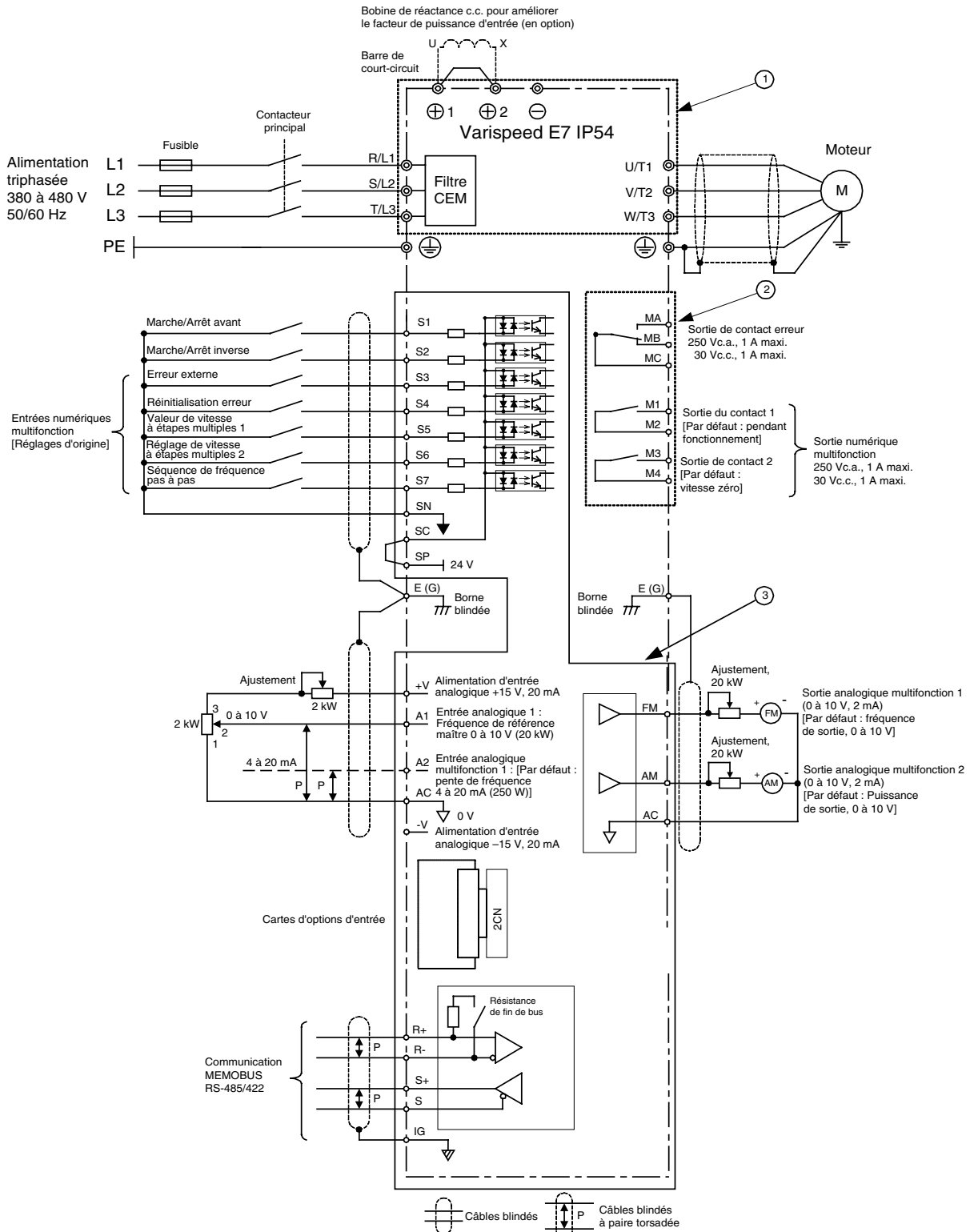


Fig. 2 Schéma de câblage

◆ Bornes de circuit principal

Les fonctions du circuit principal sont résumées sous forme de symboles dans le [Tableau 1](#). Raccordez correctement les bornes pour l'utilisation désirée.

Tableau 1 Fonctions des bornes du circuit principal (modèles 200 V et 400 V)

Rôle	Symbole de la borne	Modèle : CIMR-E7Z□□□□
Entrée de l'alimentation principale	R / L1, S / L2, T / L3	47P5 à 4055
Sorties variateur	U / T1, V / T2, W / T3	47P5 à 4055
Bornes bus c.c.	⊕ 1, ⊖	47P5 à 4055
Connexion de bobine d'inductance c.c.	⊕ 1, ⊕ 2	47P5 à 4018
Connexion de l'unité de freinage	⊕ 3, ⊖	47P5 à 4055
Terre	⊕	47P5 à 4055

■ Emplacements des bornes du circuit principal

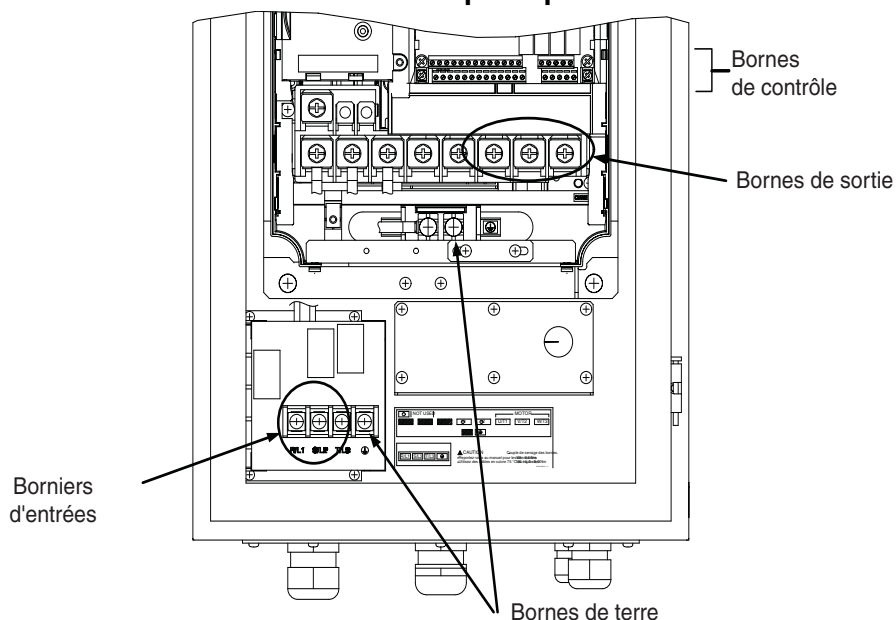


Fig. 3 Disposition des bornes des variateurs 7,5 V à 30 kW

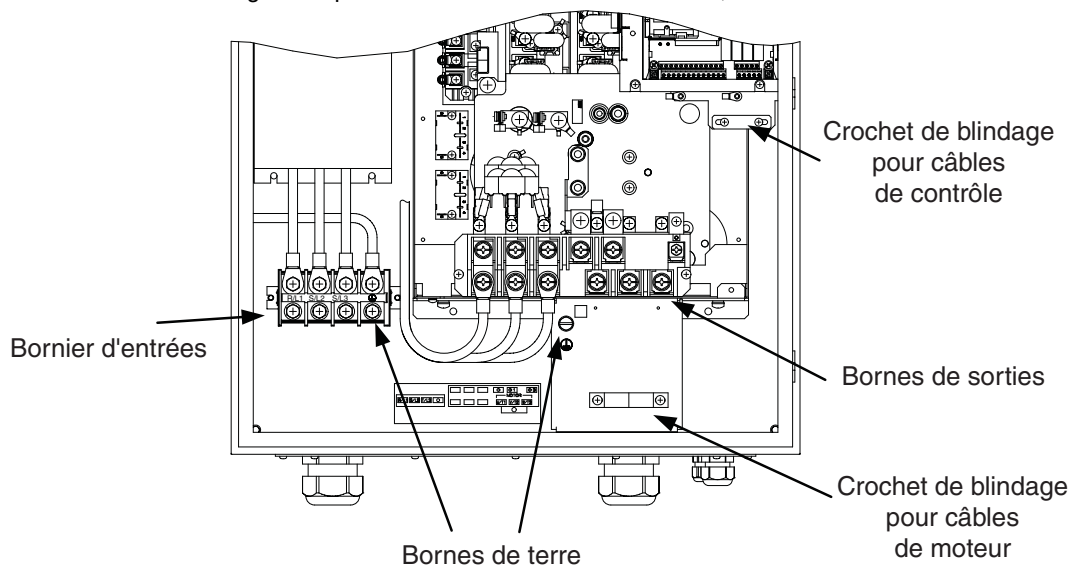


Fig. 4 Disposition des bornes des variateurs 37 à 55 kW

■ Bornes de circuit de contrôle

La Fig. 5 montre la disposition des bornes de contrôle. Les fonctions des bornes du circuit de contrôle sont illustrées au Tableau 2. Utilisez les bornes appropriées pour les fonctions auxquelles elles sont destinées.

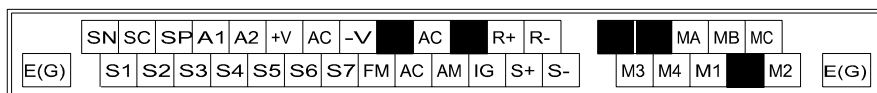


Fig. 5 Disposition des bornes du circuit de contrôle

Tableau 2 Bornes du circuit de contrôle avec réglage par défaut

Modèle	n°	Nom du signal	Fonction		Niveau du signal
Signaux d'entrée numériques	S1	Commande marche / arrêt avant	Marche quand ON ; arrêt quand OFF		24 Vc.c., 8 mA Isolation de l'optocoupleur
	S2	Commande marche / arrêt inverse	Marche inverse quand ON ; arrêté quand OFF		
	S3	Entrée erreur externe *1	Erreur quand ON.		
	S4	Réinitialisation erreur *1	Réinitialisation quand ON		
	S5	Référence de vitesse à étapes multiples 1 *1 (Interrupteur maître / auxiliaire)	Référence de fréquence auxiliaire quand ON.		
	S6	Référence de vitesse à étapes multiples 2 *1	Vitesse à étapes multiples 2 quand ON.		
	S7	Référence de fréquence pas à pas *1	Fréquence pas à pas quand ON.		
	SC	Commun, entrée numérique	-		
	SN	Neutre, entrée numérique	-		
	SP	Alimentation, entrée numérique	Alimentation +24 Vc.c. pour entrées numériques		
Signaux d'entrées analogiques	+V	Sortie de puissance 15 V	Alimentation 15 V pour références analogiques		15 V (courant maxi. : 20 mA)
	A1	Référence de fréquence	0 à +10 V / 100 %		0 à +10 V (20 kΩ)
	A2	Référence de fréquence auxiliaire	Référence de fréquence analogique auxiliaire ; 4 à 20 mA (250 Ω)	La fonction est sélectionnée via le paramètre H3-09.	4 à 20 mA (250 Ω) 0 V à +10 V (20 kΩ) 0 à 20 mA (250 Ω)
	-V	Sortie de puissance -15 V	Alimentation -15 V pour références analogiques		
	c.a.	Commun de référence analogique	-		-
	E (G)	Câble blindé, point de connexion de la ligne à la terre facultatif	-		-
Signaux de sortie numérique	M1	Pendant fonctionnement (contact 1NO)	Fermé pendant fonctionnement		Contacts relais Capacité du contact : 1 A maximum à 250 Vc.a. 1 A maxi. à 30 Vc.c. *3
	M2		Fonction sélectionnée par les paramètres H2-01 et H2-02		
	M3	Vitesse zéro (contact 1NO)	CLOSED lorsque la fréquence de sortie est inférieure ou égale au niveau zéro (b2-01)		
	M4		-		
	MA	Signal de sortie erreur	CLOSED entre MA et MC pendant les erreurs		
	MB		OPEN entre MA et MC pendant les erreurs		
	MC		-		
Signaux de sortie analogique	FM	Fréquence de sortie	Signal de fréquence de sortie analogique ; 0 à 10 V ; 10 V=FMAX	Fonction sélectionnée par H4-01	0 à +10 V max. ±5 % 2 mA maximum
	c.a.	Commun analogique	-		
	AM	Puissance de sortie du variateur	Signal de puissance de sortie analogique ; 0 à 10 V ; 10 V=capacité max. du moteur applicable	Fonction sélectionnée par H4-04	

Modèle	n°	Nom du signal	Fonction	Niveau du signal
RS-485 / 422	R+	Entrée de communication MEMOBUS	Pour RS-485 à 2 fils, court-circuitez R+ et S+ ainsi que R- et S-.	Entrée différentielle, isolation PHC
	R-			
	S+	Sortie de communication MEMOBUS		Entrée différentielle, isolation PHC
	S-			
	IG	Commun signal		-

- *1. Les paramètres par défaut sont fournis pour les bornes S3 à S7. Pour une séquence à 3 fils, les paramètres par défaut sont une séquence à 3 fils pour S5, le paramètre de vitesse à étapes multiples. 1 pour S6 et le paramètre de vitesse à étapes multiples 2 pour S7.
- *2. Ne pas utiliser cette source d'alimentation pour alimenter des périphériques externes.
- *3. Lors de la manipulation d'une charge réactive, telle qu'une bobine de relais alimentée en c.c., toujours insérer une diode volante comme illustré à la Fig. 6.

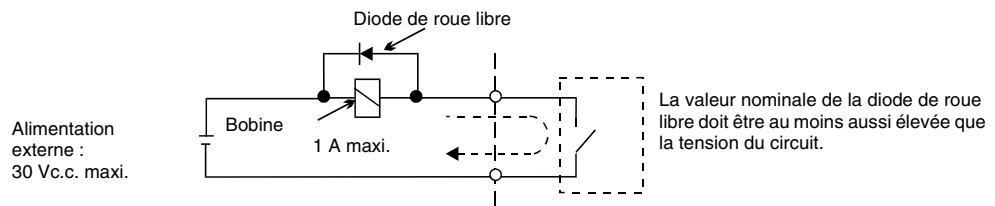


Fig. 6 Raccordement de la diode de roue libre



- Dans la Fig. 2, le câblage des entrées numériques S1 à S7 et BB est illustré pour le raccordement des contacts ou des transistors NPN (0 V commun et mode NPN). Il correspond au réglage par défaut. Se reporter au Tableau 3 pour les raccordements des transistors PNP ou en cas d'utilisation d'une alimentation externe de 24 V.
- La bobine d'inductance c.c. est en option pour les variateurs de 18,5 kW minimum uniquement. Enlevez la barre de court-circuit lors du raccordement de la bobine d'inductance c.c.

■ Mode NPN / PNP

La logique de la borne d'entrée peut être commutée entre le mode NPN (commun 0V) et le mode PNP (commun +24 V) à l'aide du connecteur CN5. Une alimentation externe est également prise en charge, ce qui offre plus de liberté par rapport aux méthodes d'entrée des signaux.

Tableau 3 Mode NPN / PNP et signaux d'entrée

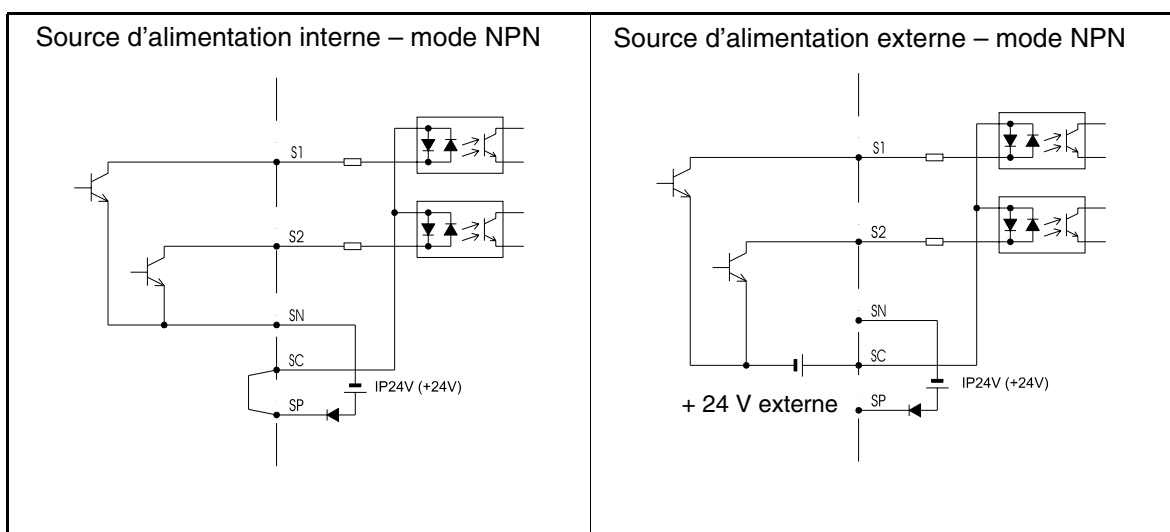
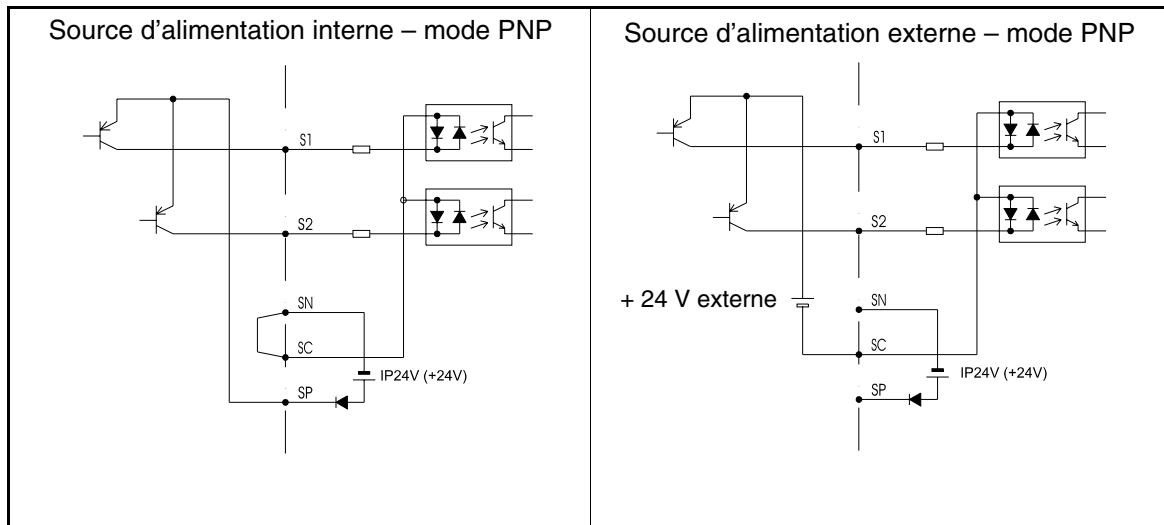


Tableau 3 Mode NPN / PNP et signaux d'entrée



◆ Câblage des entrées du circuit principal

Pose des fusibles

Pour protéger les variateurs, il est recommandé de poser des fusibles semi-conducteurs comme indiqué dans le tableau ci-dessous.

Tableau 4 Sélection du fusible d'entrée

Variateur	Sortie nominale du variateur Courant (A)	Sélection du fusible			Exemple de sélection (Ferraz)		
		Tension (V)	Courant (A)	I^2t (A ² s)	Modèle	Valeurs nominales	I^2t (A ² s)
47P5	17	480	30	100~640	A60Q30-2	600 V / 30 A	132
4011	24	480	50	150~1300	A70P50-4	700 V / 50 A	300
4015	31	480	60	400~1800	A70P70-4	700 V / 70 A	590
4018	39	480	70	700~4100	A70P80-4	700 V / 80 A	770
4022	45	480	80	240~5800	A70P80-4	700 V / 80 A	770
4030	60	480	100	500~5800	A70P100-4	700 V / 100 A	1200
4037	75	480	125	750~5800	A70P125-4	700 V / 125 A	1900
4045	91	480	150	920~13000	A70P150-4	700 V / 150 A	2700
4055	112	480	150	1500~13000	A70P200-4	700 V / 200 A	4800

Respectez les précautions suivantes pour l'entrée d'alimentation du circuit principal.

- Si vous utilisez un disjoncteur à boîtier moulé pour raccorder l'alimentation (R / L1, S / L2 et T / L3), vérifiez que le type de disjoncteur est compatible avec le variateur.
- Si vous utilisez un disjoncteur différentiel (courant de fuite vers la masse), il doit être capable de détecter tous les types de courant qui doivent être employés afin de garantir une détection correcte de la tension de fuite de masse.
- Un contacteur magnétique ou un autre dispositif de commutation peut être utilisé à l'entrée du variateur. Le variateur ne doit pas être mis sous tension plusieurs fois par heure.
- Les phases d'entrée (R / S / T) peuvent être connectées dans n'importe quel ordre.
- Si le variateur est connecté à un transformateur grande capacité (600 kW minimum) ou qu'un condensateur d'avancement de phase est commuté à proximité, une surcharge électrique peut se produire dans le circuit d'alimentation d'entrée et endommager le variateur. Pour empêcher cela, installez une bobine d'inductance c.a. en option à l'entrée du variateur ou une bobine d'inductance c.c. aux bornes de connexion de la bobine d'inductance c.c.
- Utilisez un absorbeur de surintensité ou une diode pour charges inductives près du variateur. Les charges inductives comprennent les contacteurs magnétiques, les relais électromagnétiques, les électrovannes, les électro-aimants et les freins magnétiques.

■ Câblage du côté de sortie du circuit principal

Observez les précautions suivantes pour le câblage du circuit de sortie.

- Ne connectez jamais une source d'alimentation aux bornes de sortie du variateur. Cela pourrait endommager le variateur.
- Ne court-circuitez ni ne mettez jamais à la terre les bornes de sortie. Cela pourrait endommager le variateur.
- N'utilisez pas de condensateurs de correction de phase. Vous risqueriez d'endommager le variateur et les condensateurs.
- Contrôlez la séquence de contrôle afin d'être sûr que le contacteur magnétique (MC) placé entre le variateur et le moteur n'est ni activé, ni désactivé au cours du fonctionnement du variateur. Si le MC est sous tension pendant que le variateur fonctionne, cela risque de provoquer une surcharge et la protection de surintensité du variateur risque de se déclencher.

■ Connexion à la terre

Observez les précautions suivantes pour la connexion à la terre.

- Ne partagez pas le câble de terre avec d'autres appareils tels que des postes à souder ou des outils électriques.
- Utilisez toujours un câble de terre correspondant aux normes techniques du matériel électrique et réduisez autant que possible la longueur du câble.
Le courant de fuite est dû au variateur. Par conséquent, si la distance entre l'électrode de terre et la borne de terre est trop longue, le potentiel sur la borne de terre du variateur deviendra instable.
- Lorsque vous utilisez plusieurs variateurs, veillez à ne pas boucler le câble de terre.

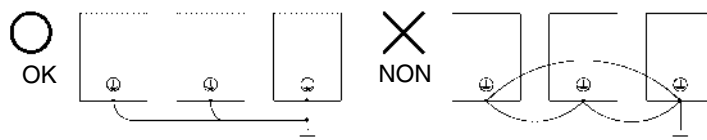


Fig. 7 Câblage à la terre

■ Précautions de câblage du circuit de contrôle

Observez les précautions suivantes lors du câblage des circuits de contrôle.

- Séparez le câblage du circuit de contrôle du câblage du circuit principal (bornes R / L1, S / L2, T / L3, B1, B2, ⊖, ⊕1, ⊕2 et ⊕3) ainsi que des autres lignes à haute tension.
- Séparez le câblage des bornes du circuit de contrôle MA, MB, MC, M1, M2, M3 et M4 (sorties relais) du câblage vers les autres bornes du circuit de contrôle.
- Si vous utilisez une alimentation externe en option, il doit s'agir d'une source d'alimentation de classe 2 de type UL.
- Utilisez des câbles en paire torsadée ou blindé en paire torsadée pour les circuits de contrôle afin d'éviter toute erreur de fonctionnement.
- Mettez les blindages de câblage à la masse avec une zone de contact maximale du blindage et de la masse.
- Les blindages de câblage doivent être reliés à la masse au niveau des deux extrémités,

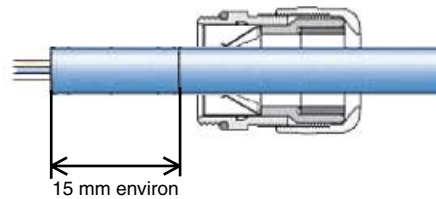
■ Installation des presse-étoupes d'alimentation

Faites surtout attention au câblage des câbles de moteur des variateurs IP54. Les faibles capacités ont un presse-étoupe de câble CEM utilisé pour relier plus facilement les câbles de moteur à la terre.

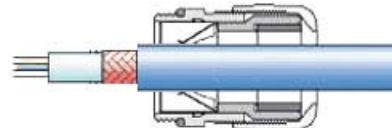
Installation des presse-étoupes en métal (CEM) pour les câbles de moteur sur les variateurs IP54 7,5 à 30 kW :

- Avec les contacts standard

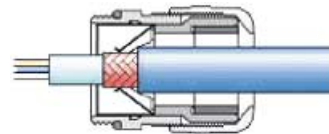
Faites une entaille en rond dans la gaine extérieure sur une longueur de 14 mm environ en partant de l'extrémité de la gaine mais n'enlevez pas la gaine. Passez le câble dans le presse-étoupe.



Retirez les coupes de la gaine, enlevez des éléments du blindage et tirez le câble jusqu'à ce que le blindage entre en contact avec les ressorts des presse-étoupes.



Fermez le presse-étoupe.

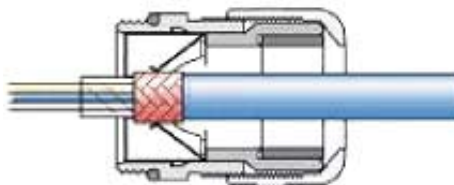
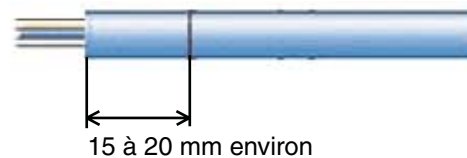


- Avec des câbles fins sans gaine intérieure :

Faites une entaille en rond dans la gaine extérieure sur une longueur de 15 à 20 mm environ et retirez-la.

Tirez le blindage torsadé sur la gaine extérieure, le blindage intérieur doit être conservé pour un guidage plus facile dans le presse-étoupe.

Passez le câble dans le presse-étoupe jusqu'à ce que le blindage entre en contact avec les ressorts du presse-étoupe et fermez le presse-étoupe.



Remarque : Pour garantir la conformité des normes CEM, fermez le câble blindé correctement par le presse-étoupe en métal. Confirmez la longueur de câble et les spécifications de bornes avant de fermer le presse-étoupe en métal.

Remarques importantes sur les variateurs IP54 de 22 à 30 kW

Enlevez le blindage torsadé sur le câble de sortie complètement du trou d'entrée vers l'extrémité de borne pour éviter les courts-circuits des bornes de sortie ou le filtre.

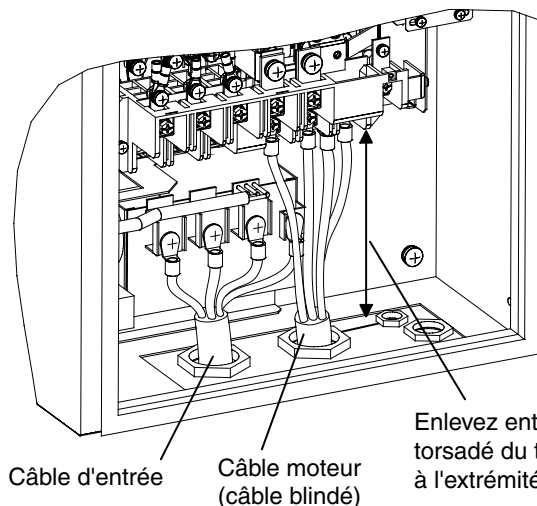


Fig. 8 Blindage des câbles de moteur avec variateur de 22 à 30 kW

Installation du câble de moteur avec les variateurs IP54 37 à 55 kW

Installez le câble de sortie torsadé comme indiqué dans la figure ci-dessous. Enlevez la gaine extérieure et branchez le blindage torsadé par le connecteur relié à la terre.

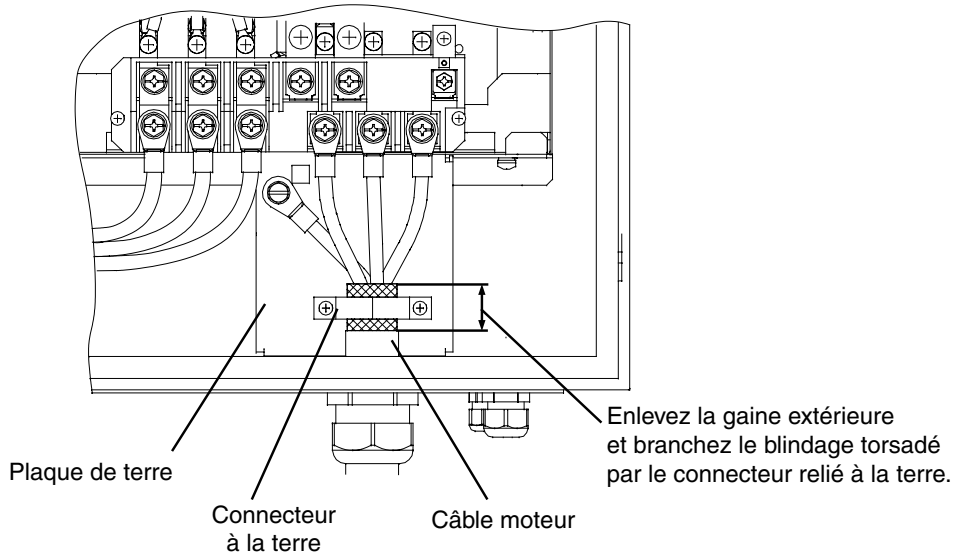


Fig. 9 Connecteur à la terre du moteur sur les variateurs 37 à 55 kW

■ Mise à la terre des blindages de câbles de contrôle sur les variateurs IP54

Pour une mise à la terre correcte, on a monté des connecteurs sur les variateurs IP54. Les [Fig. 10](#) et [Fig. 11](#) montrent où trouver les connecteurs reliés à la terre.

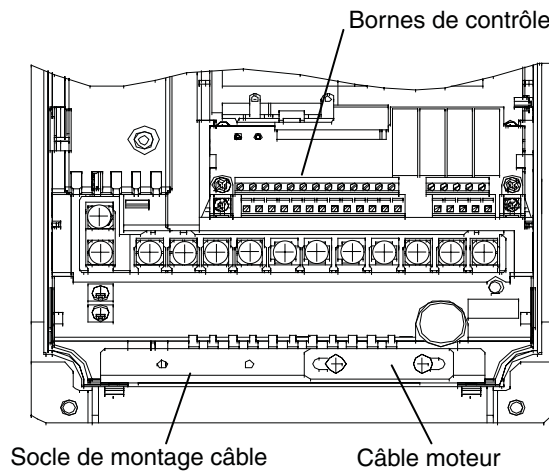


Fig. 10 Connecteur à la terre des variateurs IP54 7,5 à 18,5 kW

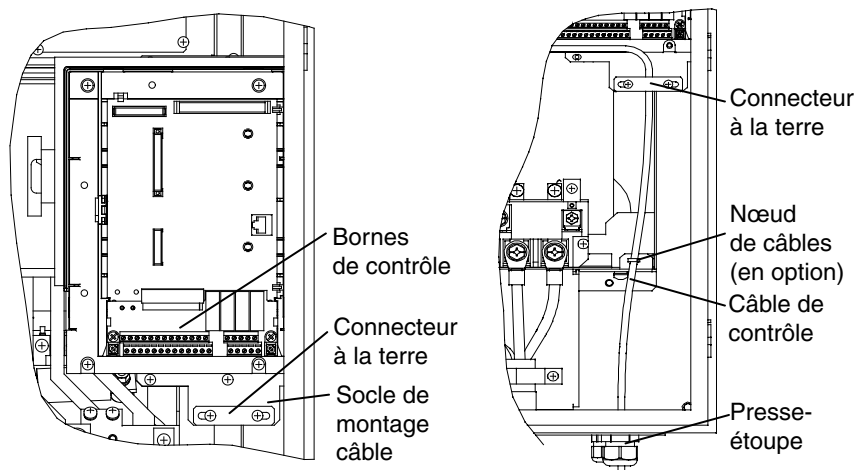
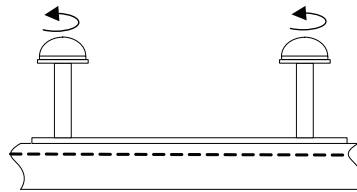
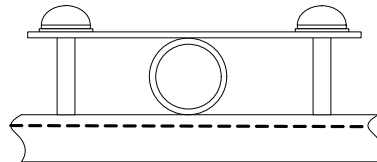


Fig. 11 Connecteur à la terre des variateurs IP54 22 à 55 kW

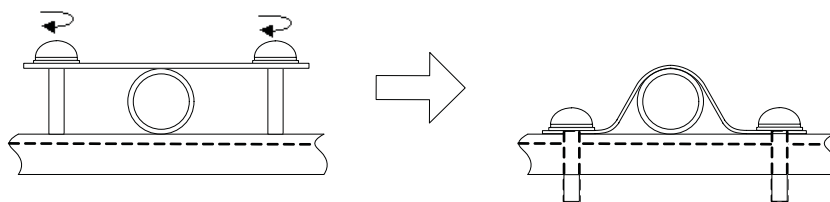
Utilisez la procédure suivante pour raccorder et blinder les câbles de contrôle dans le variateur IP54.



Desserrez les deux vis de montage du raccordement à la terre.



Insérez le câble blindé de contrôle entre le raccord à la terre et le socle de montage de câble.



Serrez les vis en alternance jusqu'au serrage à bloc des vis.

Fig. 12 Procédure de mise à la terre du blindage des câbles de contrôle

Fonctionnement du clavier

◆ Écran de la console numérique

Les noms des touches et les fonctions de la console numérique sont décrits ci-après.



Indicateurs du mode de contrôle

FWD : s'allume lorsqu'une commande d'exécution en avant est activée.

REV : s'allume lorsque la commande RUN de marche arrière est activée.

SEQ : s'allume en cas d'activation de la commande d'exécution à partir du terminal du circuit de contrôle.

REF : s'allume en cas d'activation de la consigne de fréquence à partir des bornes de circuit de contrôle A1 et A2.

ALARM : s'allume lorsqu'une erreur se produit ou qu'une alarme se déclenche.

Affichage des données

Affiche les données de surveillance, les paramètres et les réglages.

Touches

Exécutent des opérations telles que la définition des paramètres utilisateur, la surveillance, le fonctionnement pas à pas et l'autoréglage.

■ Touches de la console numérique

Touché	Nom	Fonction
	Touché LOCAL / REMOTE	Passé d'une opération à l'autre via la console numérique (LOCAL) et les sélections dans b1-01 et b1-02 (REMOTE). Cette touche peut être activée ou désactivée en réglant le paramètre o2-01.
	Touché MENU	Sélectionne les modes.
	Touché ESC	Retourne à l'état précédant l'activation de la touche DATA / ENTER.
	Touché JOG	Active le fonctionnement pas à pas lorsque le variateur fonctionne à partir de la console numérique.
	Touché FWD / REV	Sélectionne le sens de rotation du moteur lorsque le variateur fonctionne à partir de la console numérique.
	Touché Shift / RESET	Permet d'activer un chiffre lors du réglage des paramètres utilisateur.
	Touché Augmenter	Sélectionne les valeurs numériques des paramètres utilisateur et augmente les valeurs des paramètres. Utilisée pour passer à l'élément ou la donnée suivante.
	Touché Diminuer	Sélectionne les valeurs numériques des paramètres utilisateur et diminue les valeurs des paramètres. Utilisée pour passer à l'élément ou la donnée précédente.
	Touché DATA / ENTER	Accède aux menus et aux paramètres et valide les valeurs des paramètres.
	Touché RUN	Démarré le fonctionnement du variateur lorsqu'il est contrôlé par la console numérique (mode LOCAL).
	Touché STOP	Arrête le fonctionnement du variateur (modes LOCAL et REMOTE). Vous pouvez activer ou désactiver cette touche lorsque le variateur ne fonctionne pas à partir de la même source que la console en réglant le paramètre o2-02.

Configuration du démarrage et définition des paramètres de base

◆ Procédure de démarrage

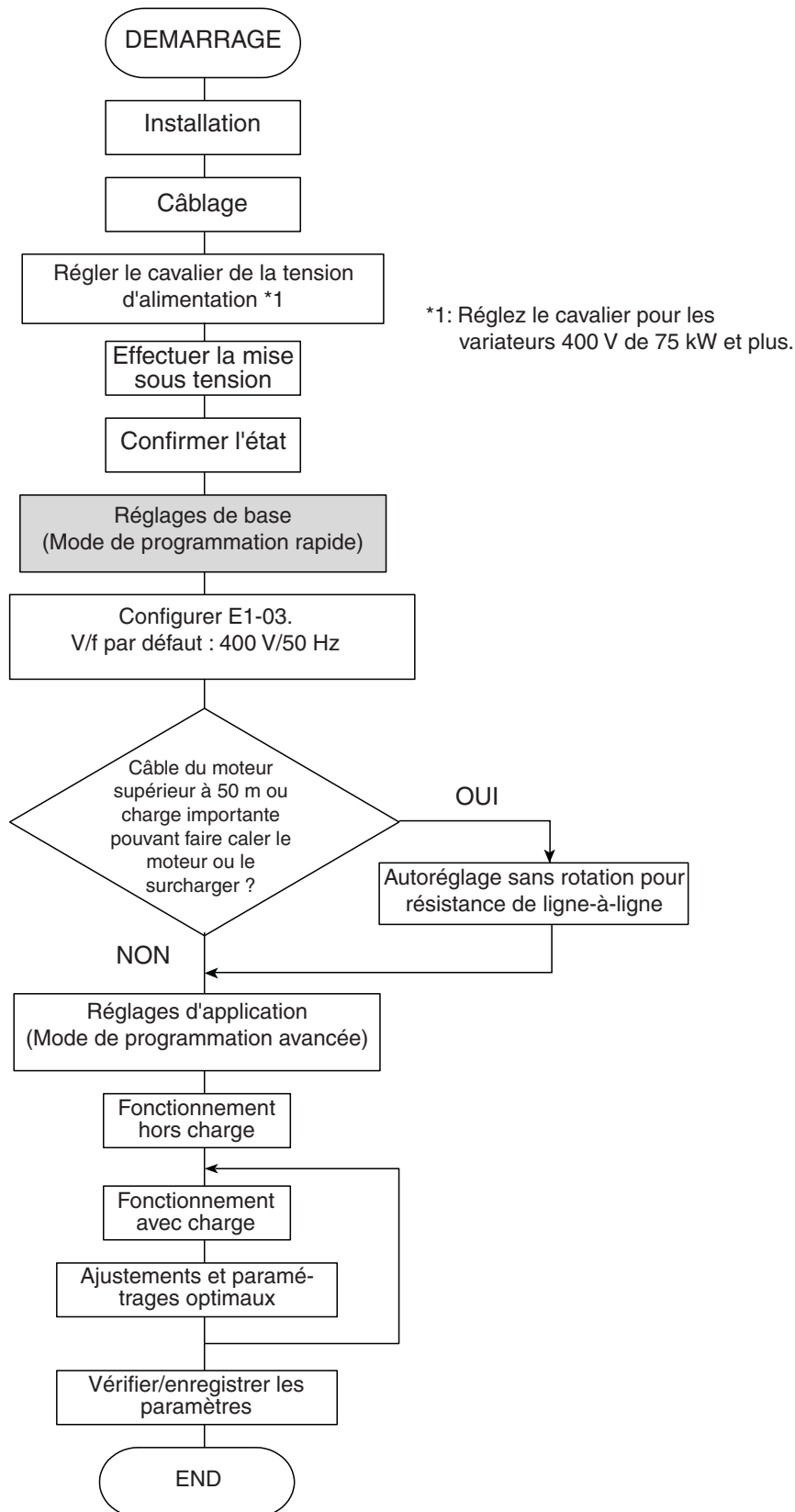


Fig. 13 Organigramme de l'essai de fonctionnement

◆ Avant le démarrage

Vérifiez soigneusement les points suivants avant la mise sous tension.

- Vérifiez que l'alimentation correspond aux caractéristiques techniques du variateur.
- Vérifiez que les câbles d'alimentation sont correctement raccordés aux bornes appropriées (L1, L2, L3).
- Vérifiez que les câbles de moteur sont correctement raccordés aux bornes appropriées, côté variateur (U, V, W) et côté moteur.
- Vérifiez que l'unité de freinage / la résistance de freinage sont connectées correctement.
- Vérifiez que la borne du circuit de contrôle et l'appareil de contrôle sont câblés correctement.
- Mettez toutes les bornes du circuit de contrôle du variateur sur OFF.
- Lorsque vous utilisez une carte PG, assurez-vous qu'elle est câblée correctement.

◆ Affichage après le démarrage

Après un démarrage normal, sans problème, l'écran de la console affiche les messages suivants

Affichage en cas de fonctionnement normal

```
-DRIVE- Frequency Ref Rdy
U1- 01 =50,00Hz
-----
U1-02= 0,00Hz
U1-03= 0,00A
```

La référence de fréquence est affichée dans la section d'affichage des données.

Si une erreur s'est produite ou si une alarme est active, un message d'erreur ou d'alarme apparaît. Dans ce cas, consultez la [page 23, Dépannage](#).

Affichage en cas de fonctionnement défectueux

```
-DRIVE-
      UV
Main Power Loss
```

Un message d'erreur ou d'alarme s'affiche sur l'écran. L'exemple affiche une alarme de basse tension.

◆ Autoréglage pour résistance de ligne-à-ligne

Vous pouvez utiliser l'autoréglage pour améliorer les performances lorsque des câbles de moteur très longs sont employés ou lorsque le moteur et le variateur n'ont pas la même puissance nominale.

Pour effectuer l'autoréglage, configurez T1-02 (alimentation nominale du moteur) et T1-04 (courant nominal du moteur), puis appuyez sur la touche RUN de la console numérique. Le variateur alimentera le moteur sans rotation pendant environ 20 secondes et la résistance ligne-à-ligne (enroulements du stator et résistance du câble) sera mesurée automatiquement.



1. Le courant alimentera le moteur pendant l'autoréglage, mais le moteur ne tournera pas. Ne touchez pas le moteur tant que l'autoréglage n'est pas terminé.
2. Assurez-vous que tous les contacteurs de moteur sont fermés avant le démarrage de l'autoréglage.
3. Pour annuler l'autoréglage, appuyez sur la touche STOP de la console numérique.

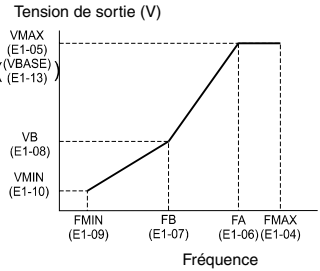
■ Autres alarmes et erreurs pendant l'autoréglage

Pour une vue d'ensemble des alarmes ou erreurs d'autoréglage possibles et des actions correctives, reportez-vous à la [page 25, Erreurs d'autoréglage](#).

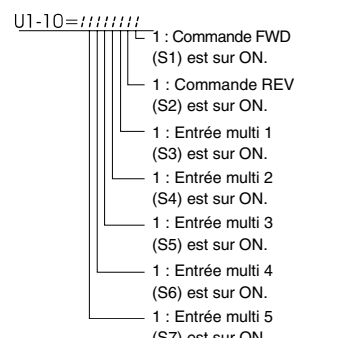
Paramètres utilisateur

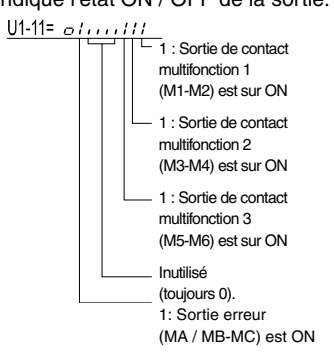
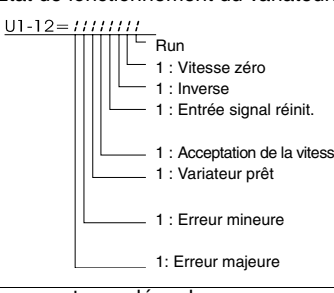
N° de paramètre	Nom	Description
Initialisation des données		
A1-00	Sélection de la langue de l'affichage de la console numérique (JVOP-160-OY uniquement)	0 : Anglais 2 : Allemand 3 : Français 4 : Italien 5 : Espagnol 6 : Portugais
A1-01	Niveau d'accès du paramètre	0 : Surveillance uniquement (mode de surveillance et réglage de A1-01 et A1-04.) 1 : Utilisé pour sélectionner les paramètres (seuls les paramètres de A2-01 à A2-32 peuvent être lus et définis). 2 : Avancé (les paramètres peuvent être lus et réglés aussi bien en mode de programmation rapide qu'en mode de programmation avancée (A))
A1-03	Initialiser	0 : Pas d'initialisation 1110 : Initialisation via les paramètres utilisateur. 2220 : Initialisation via une séquence deux points (initialise le réglage d'origine). 3330 : Initialisation d'une séquence trois points.
Séquence / Source de référence		
b1-01	Sélection source de référence	Définit la méthode d'entrée de la fréquence de référence. 0 : Console numérique 1 : Borne du circuit de contrôle (entrée analogique) 2 : Communication série (RS422 / 485) 3 : Carte d'option
b1-02	Sélection source de commande RUN	Permet de régler la méthode d'entrée de la commande RUN. 0 : Console numérique 1 : Borne du circuit de contrôle (entrées numériques) 2 : Communication série (RS422 / 485) 3 : Carte d'option
b1-03	Sélection de la méthode d'arrêt	Sélectionne la méthode d'arrêt lorsque le signal d'exécution est éliminé. 0 : Décélération pour arrêter 1 : Arrêt par inertie 2 : Injection de courant c.c. pour l'arrêt 3 : Arrêt par inertie avec temporisation (les nouvelles commandes d'exécution sont ignorées pendant l'arrêt par inertie).
b1-04	Interdiction de fonctionnement d'inversion	0 : Inversion activée 1 : Inversion désactivée 2 : Rotation phase de sortie (les deux sens de rotation sont activés) 3 : Rotation phase de sortie avec inversion désactivée.
Recherche de la vitesse		
b3-01	Sélection de la recherche de vitesse (détection du courant ou calcul de la vitesse)	Active/désactive la fonction de recherche de vitesse et définit la méthode de recherche de vitesse. 0 : Désactivée, calcul de la vitesse 1 : Activée, calcul de la vitesse 2 : Désactivée, détection du courant 3 : Activée, détection du courant
b3-14	Sélection de la recherche de vitesse bidirectionnelle	Active/désactive la capacité bidirectionnelle de la fonction de recherche de vitesse. 0 : Désactivée 1 : Activée

N° de paramètre	Nom	Description
Contrôle PI		
b5-01	Sélection du mode de contrôle PI	0 : Désactivée 1 : Activée 3 : Commande PI activée (référence de fréquence + sortie PI)
b5-02	Gain proportionnel (P)	Règle le gain proportionnel du contrôleur PI. Le contrôle P n'est pas exécuté lorsque la valeur est 0,00.
b5-03	Temps intégral (I)	Définit le temps intégral du contrôleur PI. Le contrôle I n'est pas exécuté lorsque la valeur est 0,0.
b5-09	Sélection des caractéristiques de sortie PI	Sélectionne le sens de progression / inversion pour la sortie PI. 0 : La sortie PID est en progression. 1 : La sortie PI est en inversion.
b5-17	Temps accélération / décélération pour la référence PI	Définit le temps d'accélération / décélération pour le démarreur en douceur (SFS, Softstarter) PI.
b5-18	Sélection du point de consigne PI	0 : Désactivée 1 : Activée
b5-19	Point de consigne PI	Valeur cible PI
b5-31	Sélection de l'unité PI	Sélectionne les unités pour les valeurs du contrôleur PI (b5-19, U1-24, U1-38).
Réglages d'accélération / décélération		
C1- <input type="checkbox"/>	Temps d'accélération / décélération	Définit le temps d'accélération / décélération sur une valeur comprise entre 0 Hz et la fréquence de sortie maximale.
Configuration des courbes en S		
C2- <input type="checkbox"/>	Temps caractéristique des courbes en S à l'accélération	Définit les caractéristiques des courbes en S au début et à la fin de l'accélération.
Fréquence de découpage		
C6-02	Sélection de la fréquence de découpage	Sélectionne la fréquence de découpage (le réglage d'origine dépend de la capacité du variateur). 0 : Bruit faible, faible fréquence de découpage 1 : 2,0 kHz 2 : 5,0 kHz 3 : 8,0 kHz 4 : 10,0 kHz 5 : 12,5 kHz 6 : 15,0 kHz F : Modèle programmable
Paramètres de vitesse		
d1-01 à d1-04	Référence de vitesse à étapes multiples 1 à 4	Définit les références de vitesse à étapes multiples
d1-17	Référence de fréquence pas à pas	
Limites de la référence		
d2-01	Limite haute de la référence de fréquence	Définit la limite supérieure de la fréquence de référence en pourcentage de la fréquence de sortie maximale (E1-04)
d2-02	Limite inférieure de la référence de fréquence	Définit la limite inférieure de la fréquence de référence en pourcentage de la fréquence de sortie maximale (E1-04)
Réglages du schéma V/f		
E1-01	Paramètre de la tension d'entrée	Ce paramètre sert de valeur de référence dans les fonctions de protection.

N° de paramètre	Nom	Description
E1-04	Fréquence de sortie maximale (FMAX)	<p>Tension de sortie (V)</p>  <p>Fréquence</p> <p>Pour régler les caractéristiques V / f dans un alignement absolu, entrer les mêmes valeurs de réglage pour E1-07 et E1-09. Dans ce cas, le réglage de E1-08 sera ignoré. Veillez à ce que les quatre fréquences soient définies dans l'ordre suivant : E1-04 (FMAX) ≥ E1-06 (FA) > E1-07 (FB) ≥ E1-09 (FMIN)</p>
E1-05	Tension de sortie maxi. (VMAX)	
E1-06	Fréquence de base (FA)	
E1-13	Tension de base (VBASE)	
Configuration des données du moteur		
E2-01	Courant nominal du moteur	Configure les données du moteur. Définissez les valeurs correctes si la protection thermique du moteur est utilisée.
E2-03	Courant hors charge du moteur	
E2-05	Résistance ligne-à-ligne du moteur	
Réglages des E/S numériques		
H1-01 to H1-05	Sélection de la fonction des bornes S3-S7	Se reporter à la section page 22, Sélections des fonctions des entrées numériques (H1-01 à H1-05) pour obtenir la liste des sélections.
H2-01 et H2-02	Sélection de la fonction aux bornes M1-M2 et M3-M4	Se reporter à la section page 22, Sélections des fonctions des sorties numériques pour obtenir la liste des sélections.
Réglages des E/S analogiques		
H3-08	Sélection du niveau de signal de l'entrée analogique A2	Sélectionne l'entrée du niveau de signal à l'entrée analogique multifonction A2. 0 : 0 à +10 V (11 bits). 2 : 4 à 20 mA (entrée 9 bits). 3 : 0 à 20 mA (entrée 9 bits) Veillez à basculer S1-2 sur « V » avant d'utiliser une entrée de tension.
H3-09	Sélection de la fonction de l'entrée analogique A2	Sélectionne la fonction de l'entrée analogique multifonction pour la borne A2.
H3-13	Basculement de la borne A1 / A2	Sélectionne la borne sur laquelle la fréquence de référence principale peut être entrée. 0 : Utilisez l'entrée analogique 1 de la borne A1 comme fréquence de référence principale. 1 : Utilisez l'entrée analogique 2 de la borne A2 comme fréquence de référence principale.
H4-01	Sélection du moniteur sur la borne FM	Définit le numéro du moniteur à sortir (U1-□□) sur la borne FM / AM.
H4-04	Sélection du moniteur sur la borne AM	
H4-05	Gain borne AM	

N° de paramètre	Nom	Description
Protection du moteur		
L1-01	Sélection de la protection du moteur	0 : Désactivée 1 : Protection générale du moteur (moteurs refroidis par ventilateur) 2 : Protection du moteur de variateur (moteurs dotés d'un refroidisseur externe) 3 : Protection vectorielle du moteur Lorsque l'alimentation du variateur est hors tension, la valeur thermique est réinitialisée. Par conséquent, même si elle est activée, la protection peut ne pas être efficace.
Perte de puissance constante		
L2-01	Détection de la perte de puissance momentanée	0 : Désactivée (Détection de sous-tension (UV1) du bus c.c.) 1 : Activée (redémarrée lors d'un retour de puissance dans l'intervalle défini en L2-02. Lorsque le délai défini en L2-02 est dépassé, une sous-tension du bus c.c. est détectée) 2 : Activé pendant le fonctionnement UC. (Redémarre lors d'un retour de puissance pendant les opérations de contrôle. Ne détecte pas la sous-tension du bus c.c.)
Protection anti-calage		
L3-01	Sélection de la protection anti-calage lors de l'accélération	0 : Désactivée (Accélération conforme au réglage. Avec une lourde charge, il se peut que le moteur cale). 1 : Activé (l'accélération s'arrête lorsque le niveau de L3-02 est dépassé. L'accélération redémarre lorsque la tension est tombée au-dessous du niveau de protection anti-calage). 2 : Mode d'accélération intelligent (utilisant le niveau de réglage de L3-02 comme une base, l'accélération est automatiquement ajustée. Le temps d'accélération de réglage est ignoré.)
L3-02	Niveau de protection anti-calage lors de l'accélération	Effectif lorsque L3-01 est réglé aux valeurs 1 ou 2. Réglé en pourcentage du courant nominal du variateur.
L3-04	Sélection de la protection anti-calage lors de la décélération	0 : Désactivée (Décélération définie. Si le temps de décélération est trop court, il peut se produire une surtension du bus c.c.) 1 : Activée (La décélération est arrêtée lorsque la tension du bus c.c. dépasse le niveau de protection anti-calage. La décélération redémarre lorsque la tension retombe au-dessous du niveau de protection anti-calage). 2 : Mode de décélération intelligent (Le taux de décélération est automatiquement ajusté de sorte que le variateur peut décélérer le plus rapidement possible. Le temps d'accélération défini n'est pas pris en compte). Lorsqu'une option de freinage (unité de freinage) est utilisée, toujours définir sur 0.
L3-05	Sélection de la protection anti-calage en cours de fonctionnement	0 : Désactivée (Exécution conforme au réglage. Avec une lourde charge, il se peut que le moteur cale). 1 : Décélération avec le temps de décélération 1 (C1-02.) 2 : Décélération avec le temps de décélération 2 (C1-04)

N° de paramètre	Nom	Description
L3-06	Niveau de protection anti-catalage en fonctionnement	Effectif lorsque L3-05 est réglé à 1 ou 2. Réglé en pourcentage du courant nominal du variateur.
Redémarrage par défaut		
L5-01	Nombre de tentatives de redémarrage automatique	Règle le nombre de tentatives de redémarrage automatique. Redémarrage automatique après une erreur et recherche de vitesse à partir de la fréquence de fonctionnement.
L5-02	Choix du fonctionnement du redémarrage automatique	Définit si un relais d'erreur est activé lors d'un redémarrage suite à une erreur. 0 : Pas de sortie (Le relais d'erreur n'est pas activé.) 1 : Sortie (Le relais d'erreur est activé.)
Détection de la charge		
L6-01	Sélection de la détection de charge	0 : Détection de charge désactivée 1 : Détection de surcharge uniquement avec correspondance de vitesse. L'opération continue (alarme). 2 : Détection de surcharge sans interruption pendant le fonctionnement. L'opération continue (alarme). 3 : Détection de surcharge uniquement avec correspondance de vitesse, arrêt par inertie (erreur). 4 : Détection de surcharge sans interruption pendant le fonctionnement, arrêt par inertie (erreur). 5 : Détection de perte de charge uniquement avec correspondance de vitesse, l'opération continue (alarme). 6 : Détection de perte de charge sans interruption pendant le fonctionnement, l'opération continue (alarme). 7 : Détection de perte de charge uniquement avec correspondance de vitesse, arrêt par inertie (erreur). 8 : Détection de perte de charge sans interruption pendant le fonctionnement, arrêt par inertie (erreur).
L6-02	Niveau de détection de la charge	Le courant nominal du variateur est défini comme étant 100 %.
L6-03	Temps de détection de la charge	Définit le temps de détection de surcharge / perte de charge.
Données de surveillance		
U1-01	Fréquence de référence en Hz / tr / mn	
U1-02	Fréquence de sortie en Hz / tr / mn	
U1-03	Courant de sortie en A	
U1-06	Tension de sortie en Vc.a.	
U1-07	Tension du bus c.c. en Vc.c.	
U1-08	Puissance de sortie en kW	
U1-10	État de la borne d'entrée	Indique l'état ON / OFF de la borne d'entrée. 

N° de paramètre	Nom	Description
U1-11	État de la borne de sortie	Indique l'état ON / OFF de la sortie. 
U1-12	État de fonctionnement	État de fonctionnement du variateur. 
U1-13	Durée de fonctionnement cumulé en heures.	
U1-24	Valeur de rétroaction PI en %	
U1-29	Affichage de l'énergie cumulée 1 en kWh	
U1-30	Affichage de l'énergie cumulée 2 en MWh	
U1-34	Paramètre d'erreur OPE	
U1-36	Volume d'entrée PI en %	
U1-37	Volume de sortie PI en %	
U1-38	Volume du point de consigne PI en %	
U1-40	Temps de fonctionnement du ventilateur en heures	
U1-53	Rétroaction PI 2 en %	
Données de traçage d'erreur		
U2-01	Erreur en cours	
U2-02	Dernière erreur	
U2-03	Fréquence de référence au moment de l'erreur	
U2-04	Fréquence de sortie au moment de l'erreur	
U2-05	Courant de sortie au moment de l'erreur	
U2-07	Tension de sortie de référence au moment de l'erreur	
U2-08	Tension du bus c.c. au moment de l'erreur	
U2-09	Puissance de sortie au moment de l'erreur	
U2-11	État de la borne d'entrée au moment de l'erreur	
U2-12	État de la borne de sortie au moment de l'erreur	
U2-13	État du fonctionnement au moment de l'erreur	
U2-14	Temps de fonctionnement cumulé à l'erreur	
Données de l'historique des erreurs		
U3-01 jusqu'à U3-04	De la dernière erreur à la quatrième dernière erreur	
U3-05 jusqu'à U3-08	Temps de fonctionnement cumulé à l'erreur 1 à 4	
U3-09 à U3-14	De la cinquième dernière erreur à la dixième dernière erreur	
U3-15 à U3-20	Temps cumulé de la cinquième à la dixième erreur	
* Les erreurs suivantes ne sont pas incluses dans le journal des erreurs : CPF00, 01, 02, 03, UV1 et UV2.		

Réglage	Description
Sélections des fonctions des entrées numériques (H1-01 à H1-05)	
3	Référence de vitesse à étapes multiples 1
4	Référence de vitesse à étapes multiples 2
6	Commande fréquence pas à pas (prioritaire par rapport à la vitesse de référence à étapes multiples)
F	Non utilisé (réglé lorsqu'une borne n'est pas utilisée)
14	Réinitialisation erreur (Réinitialisation quand réglé sur ON)
19	Contrôle PI désactivé
20 à 2F	Erreur externe, mode entrée : contact NO / contact NF, Mode de détection normal/pendant le fonctionnement
Sélections des fonctions des sorties numériques (H2-01 et H2-02)	
0	Pendant l'exécution 1 (ON : la commande d'exécution est sur ON, ou une tension est sortie)
6	Fonctionnement variateur prêt, READY : après initialisation ou aucune erreur
F	Pas utilisé. (réglé lorsque la borne n'est pas utilisée)

Dépannage

Les erreurs et les alarmes signalent des conditions inhabituelles pour le variateur / l'application.

Une alarme ne provoque pas nécessairement l'arrêt du variateur, mais un message s'affiche sur le clavier (code d'alarme clignotant) et une sortie d'alarme peut être générée sur les sorties multifonctions (H2-01 et H2-02) si cela a été programmé. Une alarme disparaît automatiquement si la condition d'alarme n'existe plus.

Une erreur désactive immédiatement la sortie du variateur, un message s'affiche sur le clavier et la sortie d'erreur est activée. L'erreur doit être réinitialisée manuellement une fois que la cause et le signal RUN ont été supprimés.

Le tableau suivant affiche la liste des erreurs et des alarmes avec les corrections correspondantes.

Tableau 5 Liste de erreurs et des alarmes

Affichage	Alarme	Erreur	Signification	Corrections
BUS Option Com Err		○	Alarme de communication de la carte en option Une fois la communication initiale établie, la connexion a été perdue.	Contrôlez les connexions et toutes les configurations logicielles utilisateur.
CPF00 COM- ERR(OP&INV)		○	Erreur de communication de la console numérique 1 / 2 • Erreur de communication entre la console et le variateur • Erreur RAM externe de l'UC	<ul style="list-style-type: none"> • Déconnectez la console numérique, puis reconnectez-la. • Coupez l'alimentation du variateur et remettez-le sous tension. • Remplacez le variateur.
CPF01 COM- ERR(OP&INV)				
CPF0x		○	Erreur CPF02, CPF03, CPF04 • Erreur du circuit de l'étage de sortie • Erreur EEPROM • Erreur du convertisseur A / N interne de l'UC	<ul style="list-style-type: none"> • Réinitialisation aux valeurs par défaut. • Coupez l'alimentation du variateur et remettez-le sous tension. • Remplacez le variateur.
EF Erreur externe	○		Saisie simultanée des commandes de fonctionnement vers l'avant / en sens inverse. Les commandes de fonctionnement vers l'avant / en sens inverse sont saisies simultanément pour 500 ms ou plus. Cette alarme interrompt le fonctionnement du moteur.	Contrôlez la logique de séquence externe de telle sorte qu'une seule entrée soit activée à la fois.
EF0 Opt External Flt		○	Entrée d'erreur externe à partir de la carte de communication en option	<ul style="list-style-type: none"> • Vérifiez s'il existe une condition d'erreur externe. • Contrôlez les paramètres. • Contrôlez les signaux de communication
EFx Ext Fault Sx	○	○	Erreur externe à la borne Sx (x désigne les bornes S3 à S7)	Supprimez la cause de la condition d'erreur externe.
Ext Run Active Cannot Reset	○		Détecté après une erreur lorsqu'une commande de réinitialisation est entrée et que la commande RUN est encore active.	Supprimez le signal RUN et réinitialisez l'erreur.
GF Erreur de masse		○	Erreur de masse Le courant de masse au niveau de la sortie du variateur a dépassé de 50 % le courant de sortie nominal du variateur et L8-09 = 1 (activé).	<ul style="list-style-type: none"> • Retirez le moteur et faites fonctionner le variateur sans le moteur. • Vérifiez qu'il n'y a pas de court-circuit entre phase et terre au niveau du moteur. • Contrôlez le courant de sortie avec un testeur pour vérifier la valeur DCCT. • Recherchez les signaux de contacteur moteur incorrects dans la séquence de contrôle.
LL3 Loss of Load Det	○	○	Perte de charge Une perte de charge du moteur selon les réglages de L6-01 à L6-03 a été détectée.	<ul style="list-style-type: none"> • Vérifiez que les valeurs de L6-02 et L6-03 sont correctes. • Vérifiez le système mécanique (connexion mécanique de la charge, par exemple, courroie).
OC Over Current		○	Over Current Le courant de sortie du variateur a dépassé le taux de détection de surintensité.	<ul style="list-style-type: none"> • Retirez le moteur et faites fonctionner le variateur sans le moteur. • Vérifiez que le moteur ne présente pas de court-circuit phase à phase. • Contrôlez les temps d'accél / décél (C1-□□). • Vérifiez que le variateur ne présente pas de court-circuit phase à phase à la sortie.
OH Heatsink Overtemp		○	Surchauffe du radiateur L8-03 = 0, 1 ou 2 et la température de refroidissement du variateur a dépassé la valeur de L8-02.	<ul style="list-style-type: none"> • Vérifiez que les ventilateurs ou le radiateur ne sont pas encrassés. • Baissez la température ambiante autour de l'installation. • Remplacez le(s) ventilateur(s).
		○	Ventilateur du variateur arrêté L8-03 = 3 ou 4 et la température de l'ailette de refroidissement du variateur a dépassé la valeur de L8-02.	

Affichage	Alarme	Erreur	Signification	Corrections
OH1 Heatsink MAX Temp		○	Surchauffe du radiateur La température du radiateur du variateur a dépassé 105 °C. Ventilateur de refroidissement du variateur arrêté	<ul style="list-style-type: none"> Vérifiez que les ventilateurs ou le radiateur ne sont pas encrassés. Baissez la température ambiante autour de l'installation. Remplacez le(s) ventilateur(s).
OL1 Surcharge du moteur		○	Surcharge du moteur Détectée lorsque L1-01 = 1, 2 ou 3 et que la valeur I ² t du variateur a dépassé la courbe de surcharge du moteur. La courbe de surcharge peut être réglée en utilisant les paramètres E2-01 (courant nominal du moteur), L1-01 (sélection de la protection du moteur) et L2-02 (constante de temps de la protection du moteur).	<ul style="list-style-type: none"> Contrôlez une nouvelle fois le temps de cycle, la taille de la charge et les temps d'accél. / décél. (C1-□□). Vérifiez les caractéristiques V / f (E1-□□). Vérifiez la configuration du courant nominal du moteur (E2-01).
OL2 Inv Overload		○	Surcharge du variateur Le courant de sortie du variateur a dépassé la capacité de surcharge du variateur.	<ul style="list-style-type: none"> Contrôlez une nouvelle fois le temps de cycle, la taille de la charge et les temps d'accél. / décél. (C1-□□). Vérifiez les caractéristiques V / f (E1-□□). Vérifiez si le courant nominal du variateur correspond au courant nominal du moteur.
OV DC Bus Overvolt	○ (uniquement dans une condition d'arrêt)	○	La tension c.c. du bus a dépassé le niveau de détection de surtension. Les niveaux de détection d'erreur sont : 200 V : 410 Vc.c. 400 V : 820 Vc.c.	<ul style="list-style-type: none"> Augmentez le temps de décélération (C1-02 / 04) ou raccordez une option de freinage. Contrôlez l'alimentation électrique et diminuez la tension afin qu'elle soit comprise dans les tolérances du variateur. Vérifiez le hacheur / la résistance de freinage.
PF Input Phase Loss		○	Input Phase Loss Ondulation de tension du bus c.c. excessive. Détectée uniquement lorsque L8-05 = 1 (activé)	<ul style="list-style-type: none"> Serrez les vis de borne d'entrée Vérifiez la tension d'alimentation
PUF DC Bus Fuse Open		○	DC Bus Fuse Open Le fusible du circuit principal a grillé. Avertissement : ne faites jamais fonctionner le variateur après avoir remplacé le fusible de bus c.c. sans contrôler les composants court-circuités.	<ul style="list-style-type: none"> Vérifiez que le moteur et le câblage du moteur ne présentent pas de court-circuit ou de défaut d'isolation (phase à phase). Remplacez le variateur après avoir corrigé l'erreur.
UV1 DC Bus Undervolt	○ (uniquement dans une condition d'arrêt)	○	La tension du bus c.c. est en-dessous du niveau de détection de sous-tension. (L2-05). Les valeurs par défaut sont les suivantes : 200 V : 190 Vc.c. 400 V : 380 Vc.c. Panne de fonctionnement du circuit principal Pas de réponse du circuit principal pendant le fonctionnement du variateur.	<ul style="list-style-type: none"> Vérifiez la tension d'entrée. Contrôlez le câblage des bornes d'entrée. Contrôlez la tension d'entrée et le câblage des bornes d'entrée. Augmentez les paramètres de C1-01/03
UV2 CTL PS Undervolt		○	Sous-tension de l'alimentation de contrôle Sous-tension du circuit de contrôle lors du fonctionnement du variateur.	<ul style="list-style-type: none"> Retirez toutes les connexions aux bornes de contrôle et coupez l'alimentation puis remettez sous tension le variateur. Remplacez le variateur.

◆ Erreurs de programmation de la console

Une erreur de programmation de la console (OPE) se produit lorsque plusieurs paramètres apparentés sont configurés de façon incorrecte ou que la valeur d'un paramètre individuel est inappropriée. Le variateur ne fonctionne pas tant que la valeur du paramètre n'a pas été corrigée. Cependant, aucune autre sortie d'alarme ou d'erreur n'est déclenchée. En cas d'erreur de programmation de la console, modifiez le paramètre concerné en recherchant la cause affichée dans le tableau ci-dessus. Lorsqu'une erreur de programmation de la console s'affiche, appuyez sur la touche ENTREE pour afficher U1-34 (OPE Detected). Cet écran affiche le paramètre à l'origine de l'erreur de programmation de la console.

Tableau 6 Liste des erreurs de programmation de la console

Affichage	Signification	Corrections
OPE01 kVA Selection	Erreur de configuration de la valeur kVA du variateur	Entrez la valeur kVA correcte dans o2-04.
OPE02 Limit	La valeur du paramètre est en dehors de la plage	Contrôlez la configuration des paramètres.

Affichage	Signification	Corrections
OPE03 NT	Erreur de sélection de l'entrée multifonction L'une des erreurs suivantes s'est produite dans les paramètres de l'entrée multifonction (H1-01 à H1-05) : <ul style="list-style-type: none"> Des fonctions doubles ont été sélectionnées. Les commandes UP / DOWN (paramètres 10 et 11) n'ont pas été configurées simultanément. Les commandes UP / DOWN (10 et 11) et Maintenir rampe accél / décél (A) ont été configurées en même temps. Plusieurs entrées de recherche de la vitesse (61, 62, 64) ont été configurées simultanément. L'étage de sortie externe NO (8) et l'étage de sortie externe NC (9) ont été configurés en même temps. 	Vérifiez la configuration des paramètres dans H1-□□
OPE03 NT	<ul style="list-style-type: none"> Les commandes UP / DOWN (10 et 11) ont été sélectionnées alors que le contrôle PI (b5-01) était activé. Les commandes d'arrêt d'urgence NO et NC ont été configurées en même temps. Le préchauffage du moteur (60) et le préchauffage du moteur 2 (80) ont été configurés simultanément. Les commandes d'avance prioritaire d'urgence (81) et d'inversion prioritaire d'urgence (82) ont été configurées simultanément. 	Vérifiez la configuration des paramètres dans H1-□□
OPE05 Sequence Select	Erreur de sélection de commande RUN / de référence La sélection d'une source de référence b1-01 et / ou le paramètre de sélection de source RUN b1-02 est / sont réglé(s) sur 3 (carte en option), mais aucune carte en option n'est installée.	<ul style="list-style-type: none"> Vérifiez que la carte est installée. Coupez l'alimentation et réinstallez la carte en option. Vérifiez de nouveau la configuration de b1-01 et b1-02.
OPE09 PI Selection	Erreur de configuration du contrôle PI Les paramétrages suivants ont été effectués en même temps. <ul style="list-style-type: none"> b5-01 (sélection du mode de contrôle PID) a reçu une valeur différente de 0. b5-15 (niveau de fonctionnement de la fonction de sommeil PI) a reçu une valeur différente de 0. b1-03 (sélection de la méthode d'arrêt) a reçu la valeur 2 ou 3. 	Vérifiez les valeurs des paramètres b5-01, b5-15 et b1-03.
OPE10 V / f Ptrn Setting	Erreur de configuration des paramètres V / f	Vérifiez les paramètres (E1-□□). Une fréquence / tension est peut-être configurée à une valeur supérieure à la fréquence / tension maximum.

◆ Erreurs d'autoréglage

Les erreurs d'autoréglage sont indiquées ci-dessous. Lorsque les erreurs suivantes sont détectées, l'erreur s'affiche sur la console numérique et le moteur s'arrête par inertie. Aucune alarme ou sortie d'erreur ne se déclenche.

Tableau 7 Liste des erreurs d'autoréglage

Affichage	Signification	Corrections
Er-01 Erreur	Erreur de données moteur	<ul style="list-style-type: none"> Vérifiez les données d'entrée. Vérifiez la capacité du moteur et du variateur. Vérifiez la valeur du courant nominal du moteur.
Er-02 Minor Fault	Alarme	<ul style="list-style-type: none"> Vérifiez les données d'entrée. Vérifiez le câblage et la machine. Vérifiez la charge.
Er-03 STOP key	Utilisation de la touche STOP	—
Er-04 Résistance	Erreur de résistance ligne à ligne <ul style="list-style-type: none"> L'autoréglage n'a pas été effectué dans le temps spécifié. Le résultat de l'autoréglage n'est pas compris dans la plage de sélection du paramètre 	<ul style="list-style-type: none"> Vérifiez les données d'entrée. Vérifiez le câblage du moteur.
End-3 Rated FLA Alm	Alarme de configuration du courant nominal S'affiche une fois que l'autoréglage est terminé. Lors de l'autoréglage, la valeur mesurée pour le courant nominal du moteur (E2-01) était supérieure à la valeur de consigne.	Vérifiez le courant nominal du moteur.

Guida rapida di E7Z

Sommario

Avvertenze	IT-2
◆ Precauzioni di sicurezza e istruzioni	IT-3
◆ Compatibilità elettromagnetica (EMC)	IT-4
Installazione	IT-5
◆ Installazione meccanica	IT-5
◆ Collegamento elettrico	IT-7
◆ Terminali circuito principale	IT-8
◆ Cablaggio degli ingressi del circuito principale	IT-11
Funzionamento tastierino	IT-16
◆ Display della console di programmazione	IT-16
Avvio e configurazione di base dei parametri	IT-17
◆ Procedura di avvio	IT-17
◆ Prima dell'avvio	IT-18
◆ Display dopo l'avvio	IT-18
◆ Autotuning per resistenza di linea	IT-18
Parametri utente	IT-19
Soluzione dei problemi	IT-23
◆ Errori di programmazione console	IT-24
◆ Errori di autotuning	IT-25



ATTENZIONE

Non collegare o scollegare i cavi e non eseguire test di segnale mentre è attivata l'alimentazione.

Il condensatore del bus in continua Varispeed E7 rimane carico anche dopo la disattivazione dell'alimentazione. Per evitare il pericolo di scosse elettriche, scollegare l'inverter dall'alimentazione principale prima di eseguire la manutenzione. Attendere, quindi, almeno 5 minuti dallo spegnimento di tutti i LED.

Non effettuare test di resistenza alla tensione su nessun componente del Varispeed. L'inverter contiene dei semiconduttori che non sono adatti per tensioni così elevate.

Non scollegare la console di programmazione mentre è attivata l'alimentazione. Non toccare nemmeno il circuito stampato mentre l'inverter è collegato all'alimentazione.

Non collegare mai filtri di soppressione interferenze generali LC/RC, condensatori o strumenti di protezione da sovratensione all'ingresso o all'uscita dell'inverter.

Per evitare il rilevamento di errori di sovracorrente e simili, i contatti di segnale di ogni contattore o commutatore posto tra l'inverter e il motore devono essere integrati nella logica di controllo dell'inverter (ad esempio, in un blocco delle basi).

Indispensabile

Leggere attentamente e per intero il presente manuale prima di collegare e mettere in funzione l'inverter. Seguire tutte le precauzioni di sicurezza e le istruzioni per l'uso.

L'inverter può essere fatto funzionare con filtri di linea appropriati, secondo le istruzioni per l'installazione riportate nel presente manuale, e con tutte le coperture chiuse e i terminali coperti.

Solo in questo modo viene garantita la protezione adeguata. Non collegare o azionare dispositivi con danni visibili o parti mancanti. L'utente è responsabile di eventuali danni a persone o apparecchiature derivanti dalla non osservanza delle avvertenze contenute nel presente manuale.

◆ Precauzioni di sicurezza e istruzioni

■ Indicazioni generali

Leggere per intero le seguenti precauzioni per la sicurezza e le istruzioni per l'uso prima di installare e azionare l'inverter. Leggere anche tutti i cartelli d'avviso sull'inverter e assicurarsi che non siano danneggiati o siano stati asportati.

È possibile accedere durante il funzionamento a componenti caldi e sotto tensione. Se si rimuovono parti dell'alloggiamento, la console di programmazione o le coperture dei terminali oppure si apre la porta dell'inverter, si corre il rischio di ferirsi gravemente o di provocare danni in caso di installazione o funzionamento non corretto. Il fatto che gli inverter comandano componenti di apparecchiature rotanti potrebbe comportare altri pericoli.

Seguire le istruzioni in questo manuale. L'installazione, il funzionamento e la manutenzione possono essere eseguiti solo da personale qualificato. A tale proposito per personale qualificato si intendono persone che hanno familiarità con l'installazione, l'avviamento, il funzionamento e la manutenzione degli inverter e hanno le qualificazioni adeguate per svolgere questo lavoro. Un funzionamento sicuro di queste unità è possibile solo se vengono utilizzate correttamente per l'uso cui sono destinate.

I condensatori del bus in continua possono restare in tensione per circa 5 minuti dopo che è stata disattivata l'alimentazione dell'inverter. È quindi necessario lasciar trascorrere questo periodo di tempo prima di aprire i coperchi. Tutti i terminali dei circuiti principali possono trasportare ancora cariche di tensione pericolose.

Non far accedere a questi inverter bambini o altre persone non autorizzate.

Tenere tali Misure per la Sicurezza ed Istruzioni per l'Uso a portata di mano e consegnarle a tutte le persone che hanno accesso, per qualsiasi motivo, agli inverter.

■ Uso designato

Gli inverter sono stati concepiti per l'installazione su sistemi o macchinari elettrici.

La loro installazione su macchinari o sistemi deve essere conforme ai seguenti standard di prodotto delle Direttive per la Bassa Tensione:

EN 50178, 1997-10,	Equipaggiamento di sistemi elettrici con dispositivi elettronici
EN 60204-1, 1997-12	Sicurezza delle macchine ed equipaggiamento con dispositivi elettronici Parte 1: Norme generali (IEC 60204-1:1997)/ Nota: comprende l'errata corrige del settembre 1998
EN 61010-1, A2, 1995	Norme sulla sicurezza per apparecchi informatici IT (IEC 950, 1991 + A1, 1992 + A2, 1993 + A3, 1995 + A4, 1996, modificata)

Il simbolo CE si riferisce alla normativa EN 50178 per l'uso dei filtri di linea specificati in questo manuale e secondo le istruzioni d'installazione appropriate.

■ Trasporto e conservazione

Le istruzioni per il trasporto, la conservazione ed un trattamento adeguato devono essere seguite in conformità ai dati tecnici.

■ Installazione

Installare e raffreddare gli inverter come specificato nella documentazione. L'aria di raffreddamento deve affluire nella direzione specificata. È quindi possibile azionare l'inverter solo nella posizione specificata (ad esempio, verticale). Mantenere le distanze specificate. Proteggere gli inverter da carichi non consentiti. I componenti non devono essere piegati e la distanza di isolamento non deve essere modificata. Per evitare danni causati dall'elettricità statica non toccare nessun componente elettronico.

■ Collegamento elettrico

Svolgere tutti i lavori su apparecchiature sotto tensione in conformità con le norme nazionali sulla sicurezza e la prevenzione degli incidenti sul lavoro. Effettuare tutte le installazioni elettriche in conformità con le normative in materia. In particolare, seguire le istruzioni per l'installazione che garantiscono la compatibilità elettromagnetica (EMC), quali la schermatura, la messa a terra e la stesura dei cavi. Tutto ciò si riferisce anche ad apparecchiature con il contrassegno CE. Il produttore del sistema o della macchina è responsabile per la conformità dei limiti EMC.

Contattare il proprio fornitore o il rappresentante di Omron Yaskawa Motion Control se si usano differenziali o magnetotermici insieme agli inverter.

In alcuni sistemi potrebbe essere necessario utilizzare dispositivi di monitoraggio e sicurezza aggiuntivi in conformità con le norme sulla sicurezza e la prevenzione degli incidenti sul lavoro. L'hardware degli inverter non deve essere modificato.

■ Note

Gli inverter Varispeed E7 IP54 sono certificati CE.

◆ Compatibilità elettromagnetica (EMC)

■ Introduzione

Il presente manuale è stato redatto per aiutare i produttori di sistemi ad usare gli inverter OMRON YASKAWA Motion Control (OYMC) e installare meccanismi elettrici di comando. Descrive anche le misure necessarie per adempiere alle direttive EMC. Per questo motivo, occorre seguire le istruzioni contenute nel manuale per l'installazione e il cablaggio.

I prodotti Omron vengono testati da enti autorizzati secondo gli standard elencati di seguito.

Standard prodotto: EN 61800-3:1996, EN 61800-3; A11:2000

■ Misure per garantire la conformità degli inverter OYMC alle direttive EMC.

Gli inverter OYMC non devono essere necessariamente installati in un quadro.

Non è possibile fornire informazioni dettagliate per tutte le possibili modalità di installazione. Questo manuale si limita pertanto a dare direttive di carattere generale.

Tutti gli apparecchi elettrici producono interferenze radio e di linea a varie frequenze. I cavi trasmettono queste interferenze all'ambiente allo stesso modo di una antenna.

Pertanto, il collegamento di un apparecchio elettrico (ad esempio, un inverter) all'alimentazione senza un filtro di linea potrebbe provocare interferenze di alta o bassa frequenza nell'alimentazione principale (un filtro di linea è incorporato nell'inverter).

Contromisure di base sono l'isolamento del cablaggio dei componenti elettrici e di controllo, una messa a terra appropriata e la schermatura dei cavi.

Per una messa a terra a bassa impedenza delle interferenze d'alta frequenza è necessaria un'ampia area di contatto. È pertanto consigliabile l'uso di piattine di terra al posto di cavi.

Inoltre, le schermature dei cavi devono essere collegate con dei fermi di messa a terra specifici.

■ Stesura dei cavi

Misure contro interferenze portate dalla linea:

Il Varispeed E7 IP54 è dotato di un filtro EMC (compatibilità elettromagnetica) interno. Per garantire prestazioni ottimali del filtro, seguire attentamente le istruzioni per l'installazione relative al collegamento delle schermature. Utilizzare un cavo motore con una buona schermatura di messa a terra.

- Utilizzare un cavo con schermatura intrecciata.
- Mettere a terra l'area massima consentita della schermatura. È consigliabile mettere a terra la schermatura collegando il cavo alla piastra di terra con fermi in metallo
- Collegare la messa a terra per le schermature del cavo ad entrambe le estremità e mettere a terra il motore della macchina.

Installazione

◆ Installazione meccanica

■ Rimuovere l'inverter dall'imballaggio

Dopo aver rimosso l'inverter dall'imballaggio, verificare i seguenti elementi.

Elemento	Metodo
E' stato consegnato il modello esatto di inverter?	Controllare il codice del modello sulla targa a lato dell'inverter.
L'inverter risulta danneggiato?	Esaminare la superficie esterna dell'inverter per vedere se vi sono graffi o altri danni dovuti alla spedizione.
Si sono allentate alcune viti o altri componenti?	Utilizzare un cacciavite o altri attrezzi per controllare il serraggio.

Controllare inoltre che siano stati consegnati i seguenti componenti nell'imballaggio contenente l'inverter IP54.

Nome componente	Q.tà
Pressacavo (ingresso)	1
Pressacavo (uscita motore)	1
Pressacavo (controllo)	1
Pressacavo (rete)	1
Chiave porta	1
Tappo cieco (ingresso cavo di comando)	1
Tappo cieco (ingresso cavo di rete)	1

Se si riscontrano delle irregolarità negli elementi riportati sopra, contattare immediatamente il rivenditore presso il quale è stato acquistato l'inverter o il rappresentate Omron Yaskawa Motion Control di zona.

■ Verificare il luogo di installazione

Durante l'installazione dell'inverter, è necessario osservare le precauzioni riportate di seguito.

- Installare l'inverter in un ambiente pulito privo di nebbia d'olio e polvere.
- Durante l'installazione o il funzionamento dell'inverter, proteggerlo sempre dal contatto con polveri metalliche, olio, acqua o altre sostanze.
- Non installare l'inverter su un materiale combustibile come il legno.
- Installare l'inverter in un ambiente privo di materiali radioattivi e combustibili.
- Installare l'inverter in un ambiente in cui non sono presenti liquidi e gas nocivi.
- Installare l'inverter in un ambiente senza troppe oscillazioni.
- Installare l'inverter in un ambiente in cui non è presente del cloruro.
- Installare l'inverter in un ambiente non esposto alla luce diretta del sole.
- Gli inverter IP54 sono protetti contro la penetrazione di polvere non conduttiva e di schizzi d'acqua provenienti da qualsiasi direzione. Installare l'inverter in interni, in un ambiente riscaldato e controllato per evitare la formazione di condensa al suo interno. Durante il cablaggio, evitare il contatto dell'inverter IP54 con acqua o polvere.
- Prima di trasportare l'inverter, accertarsi che i fermi della porta siano chiusi. Durante il trasporto dell'inverter, evitare di sorreggerlo tramite la porta o i pressacavi, ma afferrare l'intera scatola. Se i fermi della porta sono aperti o l'inverter viene tenuto tramite la porta (o i pressacavi), durante il trasporto il corpo principale potrebbe cadere, con il rischio di danni alle persone.
- Fare attenzione a non danneggiare i pressacavi durante le manovre di sollevamento. In caso contrario, l'apparecchiatura potrebbe danneggiarsi a causa della penetrazione di acqua o polvere. Montare i tappi ciechi sull'ingresso opzionale e sull'ingresso di comando se questi terminali non sono collegati
- Fare attenzione a non danneggiare i pressacavi durante l'installazione

■ Posizione di installazione

Installare l'inverter in posizione verticale in modo da non ridurre l'effetto di raffreddamento. Durante l'installazione dell'inverter, accertarsi sempre che lo spazio di installazione sia sufficiente per consentire una normale dispersione di calore.

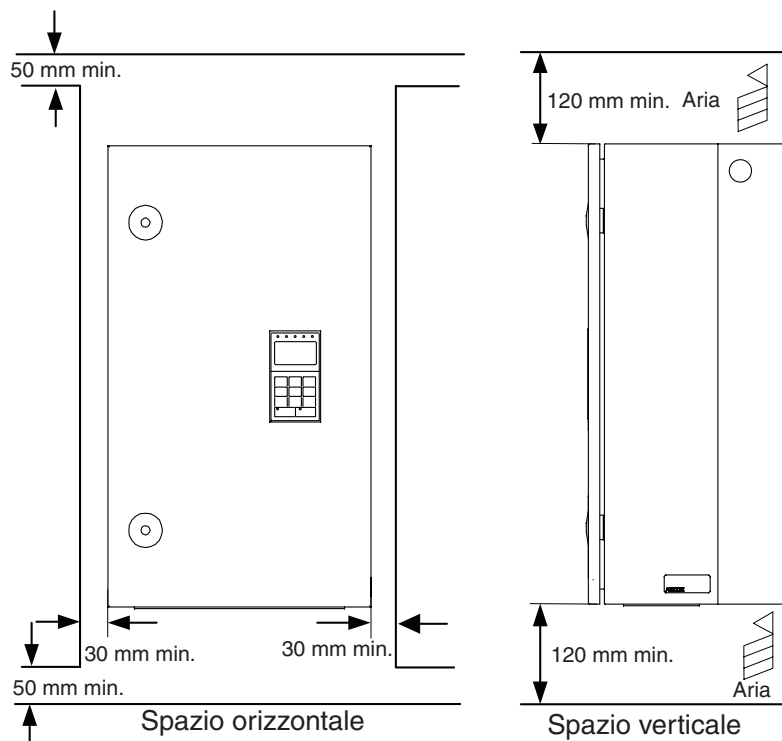


Fig. 1 Spazio di installazione

◆ Collegamento elettrico

■ Cablaggio dell'inverter

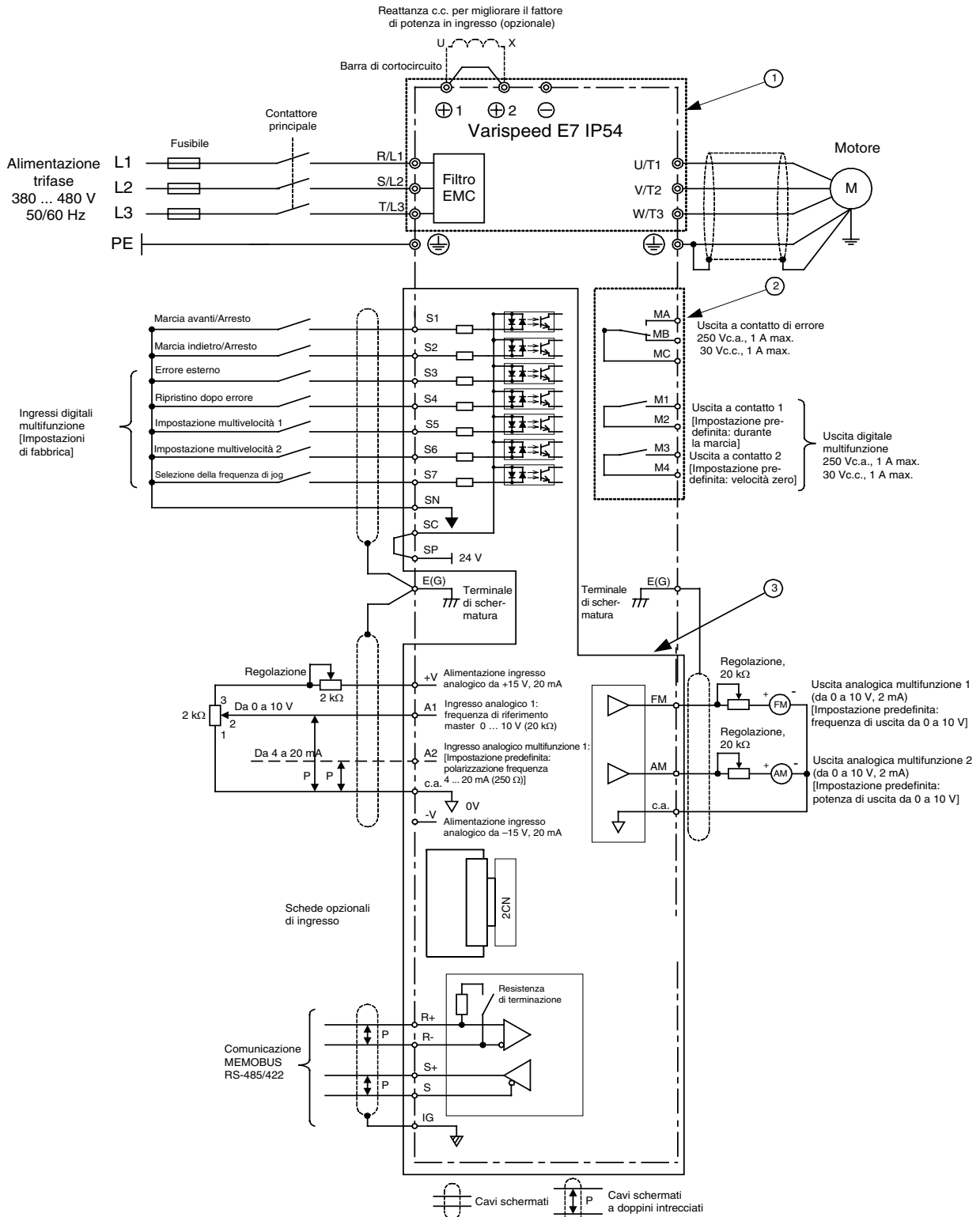


Fig. 2 Schema di cablaggio

◆ Terminali circuito principale

Le funzioni dei terminali del circuito principale vengono riepilogate nella [Tabella 1](#) in base ai simboli dei terminali. Cablare i terminali correttamente per lo scopo desiderato.

Tabella 1 Funzioni terminali circuito principale (classi 200 V e 400 V)

Scopo	Codice terminale	Modello: CIMR-E7Z□□□□
Ingresso alimentazione circuito principale	R/L1, S/L2, T/L3	da 47P5 a 4055
Uscite inverter	U/T1, V/T2, W/T3	da 47P5 a 4055
Terminali bus in continua	⊕1, ⊖	da 47P5 a 4055
Collegamento reattanza c.c.	⊕1, ⊕2	da 47P5 a 4018
Collegamento modulo di frenatura	⊕3, ⊖	da 47P5 a 4055
Messa a terra	⊖	da 47P5 a 4055

■ Posizione dei terminali del circuito principale

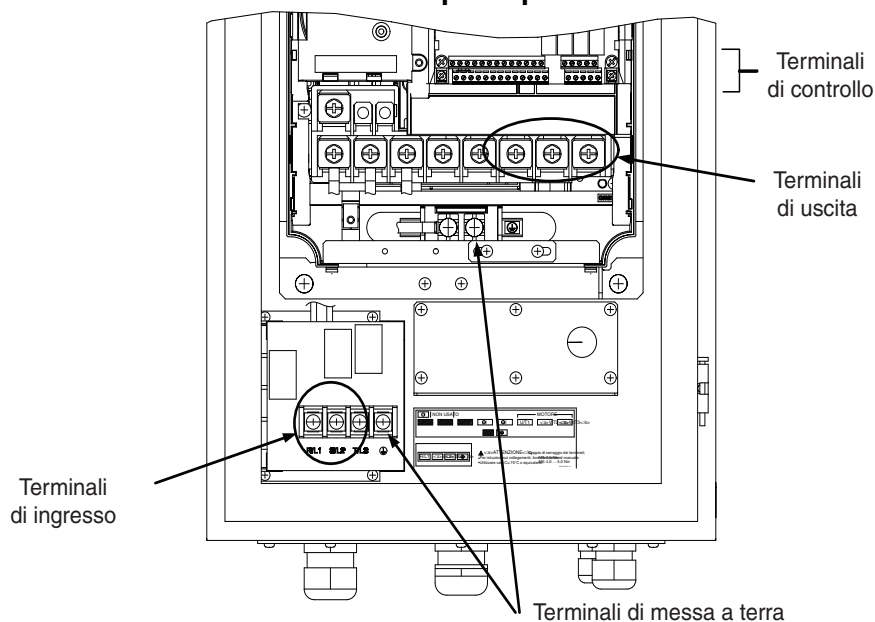


Fig. 3 Disposizione dei terminali degli inverter da 7,5 a 30 kW

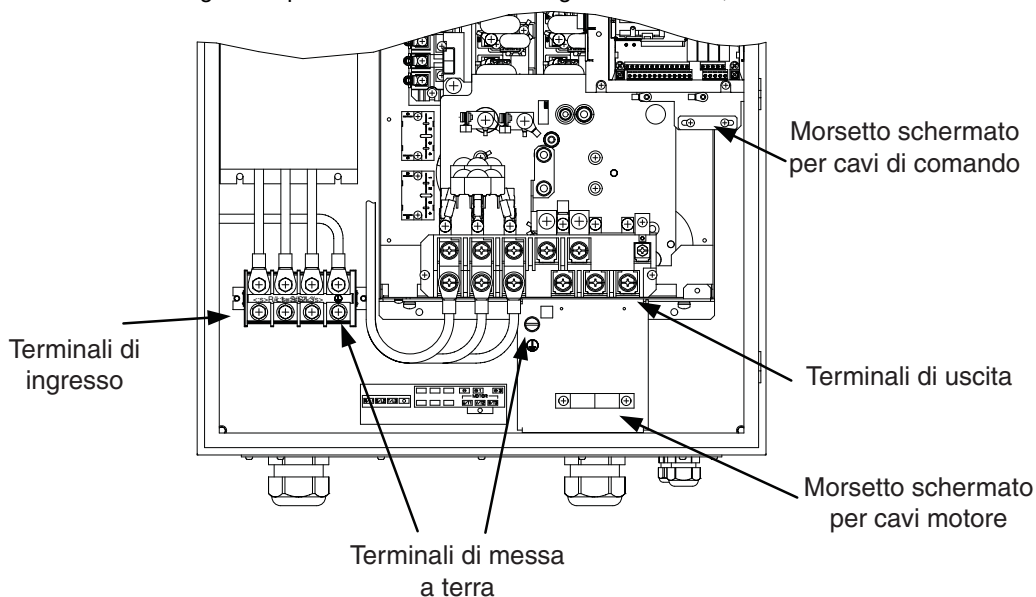


Fig. 4 Disposizione dei terminali degli inverter da 37 a 55 kW

Terminali circuito di controllo

La Fig. 5 mostra la disposizione dei terminali del circuito di controllo. Le funzioni dei terminali del circuito di controllo vengono indicate nella Tabella 2. Utilizzare i terminali appropriati.

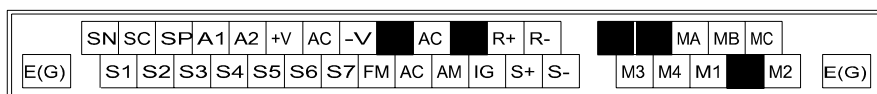


Fig. 5 Disposizione terminali di controllo

Tabella 2 Terminali del circuito di controllo con impostazioni predefinite

Tipo	N.	Nome segnale	Funzione		Livello del segnale
Segnali ingressi digitali	S1	Comando di marcia avanti/arresto	Marcia avanti quando è ON e arresto quando è OFF.		24 Vc.c., 8 mA Fotoisolatore
	S2	Comando marcia indietro/arresto	Marcia indietro quando è ON e arresto quando è OFF.		
	S3	Ingresso errore esterno * ¹	Errore quando è ON.		
	S4	Ripristino dopo errore * ¹	Ripristino quando è ON.		
	S5	Multivelocità di riferimento 1 * ¹ (commutatore master/ausiliario)	Frequenza di riferimento ausiliaria quando è ON.		
	S6	Multivelocità di riferimento 2 * ¹	Multivelocità 2 quando è ON.		
	S7	Frequenza di riferimento di jog * ¹	Frequenza di jog quando è ON.		
	SC	Comune ingressi digitali	-		-
	SN	Neutro ingressi digitali	-		-
	SP	Alimentazione ingressi digitali	Alimentazione da +24 Vc.c. per gli ingressi digitali		24 Vc.c., 250 mA max. * ²
Segnali ingressi analogici	+V	Alimentazione da 15 V	Alimentazione da 15 V per i riferimenti analogici		15 V (corrente max.: 20 mA)
	A1	Frequenza di riferimento	Da 0 a +10 V/100%		Da 0 a +10 V (20 kΩ)
	A2	Frequenza di riferimento ausiliaria	Frequenza di riferimento analogica ausiliaria; Da 4 a 20 mA (250 Ω)	La funzione viene selezionata impostando il parametro H3-09.	Da 4 a 20 mA (250 Ω) Da 0 V a +10 V (20 kΩ) Da 0 a 20 mA (250 Ω)
	-V	Uscita alimentazione da -15 V	Alimentazione da -15 V per i riferimenti analogici		
	c.a.	Comune riferimenti analogici	-		-
	E(G)	Punto di collegamento opzionale linea di terra del filo schermato	-		-
Segnali uscite digitali	M1	Durante la marcia (1 contatto NA)	Chiuso durante la marcia		Contatti a relé Capacità contatto: 1 A max. a 250 Vc.a. 1 A max. a 30 Vc.c. * ³
	M2		Funzione selezionata tramite H2-01 e H2-02		
	M3	Velocità zero (1 contatto NA)	CHIUSO con frequenza di uscita a livello zero (b2-01) o inferiore		
	M4				
	MA	Segnale uscita errore	CHIUSO attraverso MA e MC durante errore		
	MB		APERTO attraverso MB e MC durante errore		
	MC				
Segnali delle uscite analogiche	FM	Frequenza di uscita	Segnale di frequenza uscita analogica; Da 0 a 10 V; 10 V = FMAX	Funzione selezionata tramite H4-01	Da 0 a +10 V max. ±5% 2 mA max.
	c.a.	Comune analogico	-		
	AM	Alimentazione uscita inverter	Segnale di potenza uscita analogica; Da 0 a 10 V; 10 V = capacità max. applicabile motore	Funzione selezionata tramite H4-04	

Tipo	N.	Nome segnale	Funzione	Livello del segnale
RS-485/422	R+	Ingresso comunicazioni Modbus	Per comunicare in RS-485 cortocircuitare R+ con S+ e R- con S-.	Ingresso differenziale, isolamento PHC
	R-			
	S+	Uscita comunicazioni Modbus		Ingresso differenziale, isolamento PHC
	S-			
	IG	Comune segnali		-

- *1. Vengono indicate le impostazioni predefinite per i terminali da S3 a S7. Per una sequenza a 3 fili, le impostazioni predefinite sono una sequenza a 3 fili per S5, impostazione multivelocità 1 per S6 e impostazione multivelocità 2 per S7.
- *2. Non utilizzare questa alimentazione per alimentare altri dispositivi esterni.
- *3. Quando si aziona un carico reattivo, quale la bobina di un relè con alimentazione c.c., inserire sempre un diodo volano come indicato nella Fig. 6

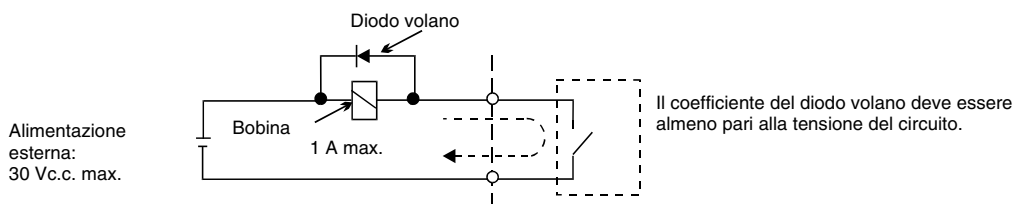


Fig. 6 Collegamento del diodo volano



IMPORTANT

1. Nella Fig. 2 viene illustrato il cablaggio degli ingressi digitali da S1 a S7 per il collegamento di contatti o transistor NPN (comune 0 V e modalità NPN). Si tratta dell'impostazione predefinita. Per il collegamento PNP o per usare un'alimentazione esterna di 24 V vedere Tabella 3.
2. È possibile utilizzare una reattanza c.c. solo per inverter da 18,5 kW o inferiore. Rimuovere la barra di corto circuito prima di collegare una reattanza c.c.

■ Modalità sinking/sourcing (selezione NPN/PNP)

È possibile attivare alternativamente la modalità sinking (comune 0 V, NPN) e quella sourcing (comune +24 V, PNP) per la logica del terminale di ingresso utilizzando il ponticello CN5. È, inoltre, supportata un'alimentazione esterna in grado di garantire maggiore flessibilità per gli ingressi dei segnali.

Tabella 3 Modalità NPN/PNP e segnali di ingresso

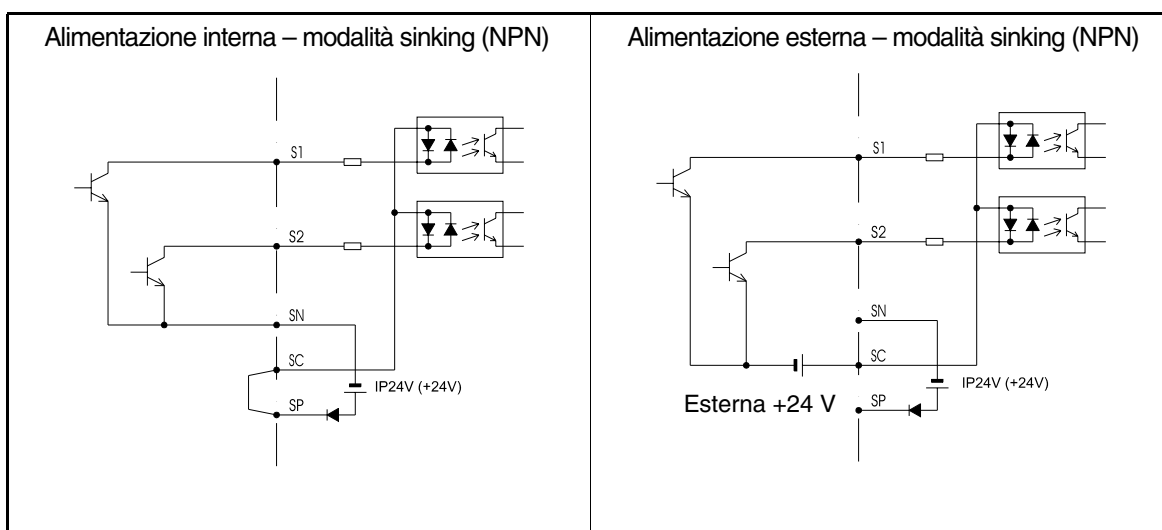
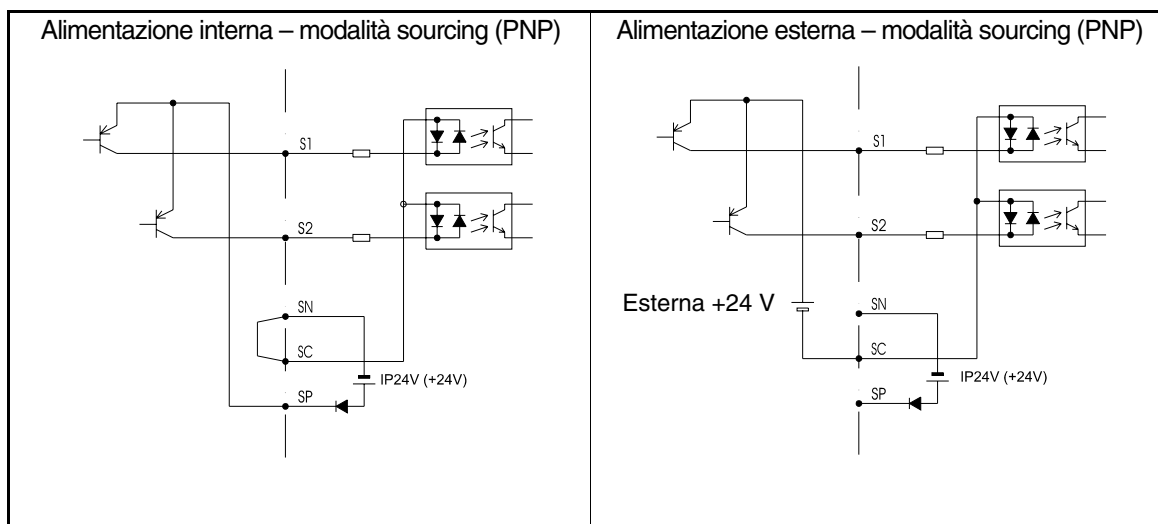


Tabella 3 Modalità NPN/PNP e segnali di ingresso



◆ Cablaggio degli ingressi del circuito principale

Installazione fusibili

Per proteggere l'inverter è consigliabile usare dei fusibili del tipo indicato nella tabella seguente.

Tabella 4 Selezione fusibile di ingresso

Tipo di inverter	Uscita nominale inverter Corrente (A)	Selezione fusibile			Esempio di selezione (Ferraz)		
		Tensione (V)	Corrente (A)	I^2t (A ² s)	Modello	Classificazione	I^2t (A ² s)
47P5	17	480	30	100~640	A60Q30-2	600 V/30 A	132
4011	24	480	50	150~1.300	A70P50-4	700 V/50 A	300
4015	31	480	60	400~1.800	A70P70-4	700 V/70 A	590
4018	39	480	70	700~4.100	A70P80-4	700 V/80 A	770
4022	45	480	80	240~5.800	A70P80-4	700 V/80 A	770
4030	60	480	100	500~5.800	A70P100-4	700 V/100 A	1.200
4037	75	480	125	750~5.800	A70P125-4	700 V/125 A	1.900
4045	91	480	150	920~13.000	A70P150-4	700 V/150 A	2.700
4055	112	480	150	1.500~13.000	A70P200-4	700 V/200 A	4.800

Prendere in considerazione le seguenti precauzioni per l'ingresso di alimentazione del circuito principale.

- Se si utilizza un dispositivo di sezionamento per il collegamento dell'alimentazione (R/L1, S/L2 e T/L3), verificare che l'interruttore di circuito sia adatto per l'inverter.
- Se si utilizza un interruttore di dispersione a terra, dovrebbe essere possibile rilevare tutti i tipi di corrente da utilizzare per garantire un rilevamento sicuro della corrente di dispersione a massa.
- È possibile utilizzare un contattore magnetico o un altro dispositivo di commutazione sull'ingresso dell'inverter. L'inverter non dovrebbe essere acceso per più di una volta all'ora.
- Le fasi di ingresso (R/S/T) possono essere collegate in qualsiasi sequenza.
- Se si collega l'inverter ad un trasformatore ad alta capacità (600 kW o superiore) o si commuta un condensatore di rifasatura, è possibile che una corrente di picco eccessiva passi attraverso il circuito di ingresso provocando un guasto dell'inverter. Come contromisura, installare una reattanza c.a. opzionale sull'ingresso dell'inverter o una reattanza c.c. sui terminali di collegamento della reattanza c.c.
- Utilizzare un assorbitore di sovracorrente o un diodo per i carichi induttivi situati nei pressi dell'inverter. I carichi induttivi comprendono contattori magnetici, relé elettromagnetici, valvole a solenoide, solenoidi e freni magnetici.

■ Cablaggio del lato di uscita del circuito principale

È necessario prendere in considerazione le seguenti precauzioni per il cablaggio del circuito di uscita.

- Non collegare mai alcuna fonte di alimentazione ai terminali di uscita dell'inverter. In caso contrario, l'inverter potrebbe danneggiarsi.
- Evitare i cortocircuiti o la messa a terra dei terminali di uscita. In caso contrario, l'inverter potrebbe danneggiarsi.
- Non utilizzare condensatori di rifasatura. In caso contrario, l'inverter e i condensatori potrebbero danneggiarsi.
- Verificare la sequenza di comando per accertarsi che il contattore magnetico (MC) tra l'inverter e il motore non sia attivato o disattivato durante il funzionamento dell'inverter. Se si attiva l'MC durante il funzionamento dell'inverter, si avrà una corrente di spunta molto alta e verrà attivato il meccanismo di protezione da sovracorrente all'interno dell'inverter.

■ Collegamento a terra

È necessario prendere in considerazione le seguenti precauzioni per il collegamento a terra.

- Evitare che il cavo di terra venga condiviso con altri dispositivi come saldatrici o strumenti di alimentazione.
- Utilizzare sempre un cavo di terra conforme agli standard tecnici delle apparecchiature elettriche e il più corto possibile.

La corrente di dispersione è causata dall'inverter, Pertanto, il potenziale sul terminale di terra dell'inverter diventerà instabile se vi è troppa distanza tra l'elettrodo e il terminale di terra.

- Quando si utilizza più di un inverter, è necessario evitare che il cavo di terra formi un circuito.

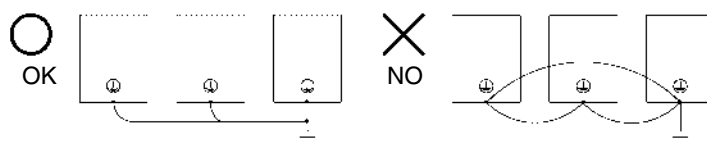


Fig. 7 Cablaggio di terra

■ Precauzioni per il cablaggio dei circuiti di controllo

Prendere in considerazione le seguenti precauzioni per il cablaggio dei circuiti di controllo.

- Separare il cablaggio del circuito di controllo dal cablaggio del circuito principale (terminali R/L1, S/L2, T/L3, B1, B2, \ominus , $\oplus 1$, $\oplus 2$ e $\oplus 3$) e dalle altre linee ad alta potenza.
- Separare il cablaggio per i terminali dei circuiti di controllo MA, MB, MC, M1, M2, M3 e M4 (contatti a relé) dal cablaggio degli altri terminali dei circuiti di controllo.
- Se si utilizza un'alimentazione esterna opzionale, è necessario utilizzare un'alimentazione di Classe 2 conforme allo standard UL.
- Utilizzare cavi schermati a doppi intrecciati oppure cavi a doppi intrecciati per i circuiti di controllo, in grado di prevenire errori di funzionamento.
- Collegare la messa a terra per le schermature del cavo con un'area di contatto molto ampia.
- Mettere a terra le schermature in corrispondenza di entrambe le estremità del cavo.

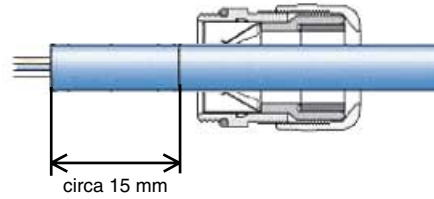
■ Installazione dei pressacavi di alimentazione

Una particolare attenzione deve essere prestata al collegamento dei cavi motore degli inverter IP54. I modelli con basse capacità sono dotati di un pressacavo EMC che viene utilizzato per mettere a terra facilmente la schermatura del cavo motore.

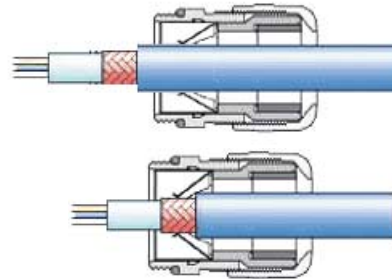
Installazione del pressacavo metallico (EMC) per i cavi motore sugli inverter IP54 da 7,5 a 30 kW

- Con i contatti standard

Eseguire un taglio circolare sul rivestimento esterno, di lunghezza pari a 14 mm circa dall'estremità del rivestimento, senza tuttavia rimuovere quest'ultimo. Guidare il cavo attraverso il pressacavo.



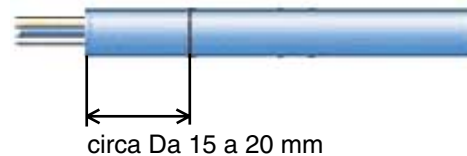
Tirare il rivestimento esterno tagliato, rimuovere parte della schermatura e reintrodurre il cavo finché la schermatura non entra sufficientemente a contatto con le molle del pressacavo.



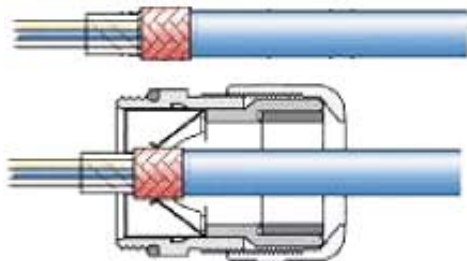
Chiudere il pressacavo.

- Con fili sottili e senza rivestimento interno:

Eseguire un taglio circolare sul rivestimento, di lunghezza pari a 15-20 mm e rimuoverlo.



Rimettere la schermatura intrecciata sopra il rivestimento esterno, conservando la schermatura interna per facilitare il passaggio nel pressacavo.



Guidare il cavo attraverso il pressacavo finché la schermatura non risulta sufficientemente a contatto con le molle del pressacavo.

Nota: per garantire la conformità alla normativa EMC, il cavo schermato deve essere bloccato saldamente dal pressacavo metallico. Verificare la lunghezza del cavo e le specifiche dei morsetti prima di inserire il pressacavo metallico.

Istruzioni speciali per gli inverter IP54 con capacità da 22 e 30 kW

Rimuovere interamente la schermatura intrecciata sul cavo di uscita dal foro di ingresso all'estremità del morsetto per evitare il corto circuito sui morsetti di ingresso o sul filtro.

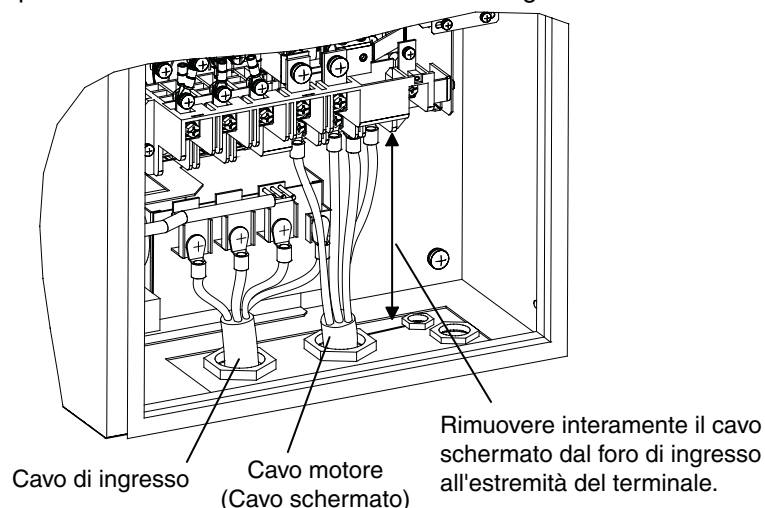


Fig. 8 Schermatura del cavo motore con inverter da 22 e 30 kW

Installazione del cavo motore con inverter IP54 con capacità compresa tra 37 e 55 kW

Installare il cavo di uscita schermato come illustrato nella figura riportata di seguito. Rimuovere il rivestimento esterno e bloccare la schermatura intrecciata con il morsetto di terra.

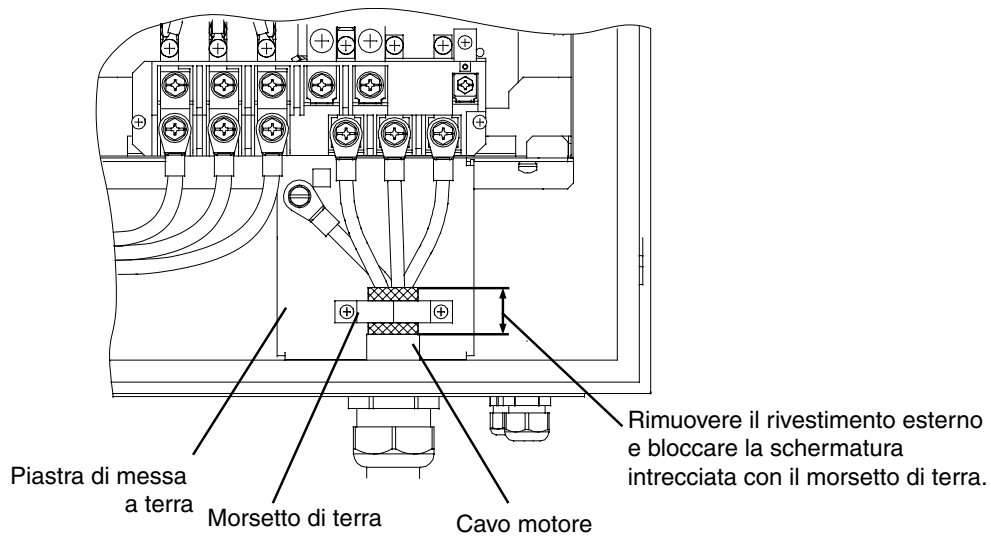


Fig. 9 Morsetto di terra del motore con inverter da 37 ... 55 kW

■ Collegamento a terra della schermatura del cavo di comando negli inverter IP54

Per assicurare una corretta schermatura, negli inverter IP54 sono stati montati morsetti di terra. La Fig. 10 e la Fig. 11 mostrano i punti in cui si possono trovare i morsetti di terra.

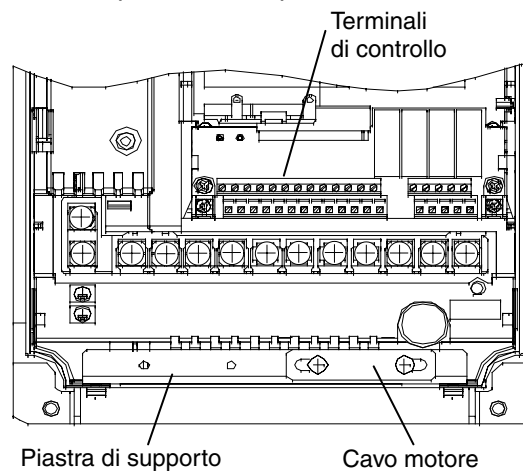


Fig. 10 Morsetto di terra degli inverter IP54 con capacità compresa tra 7,5 e 18,5 kW

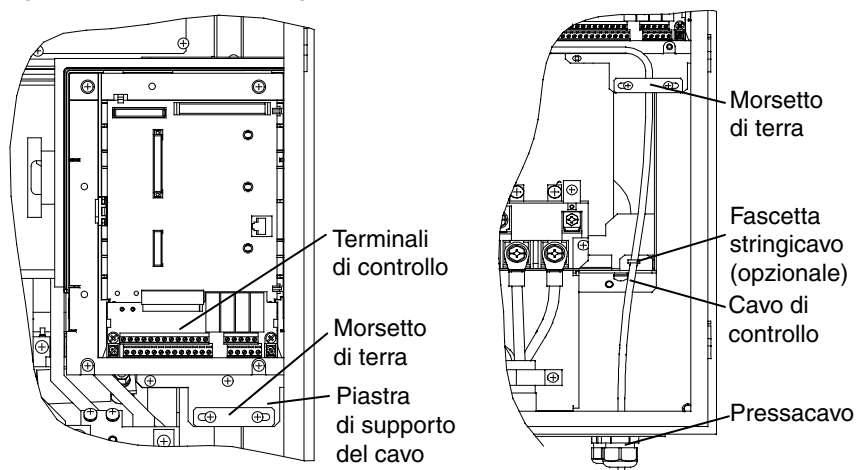
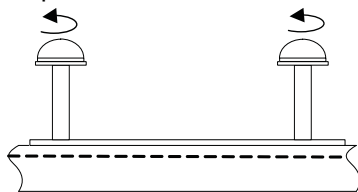
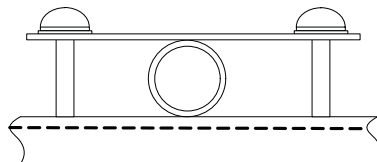


Fig. 11 Morsetto di terra degli inverter IP54 con capacità 22 ... 55 kW

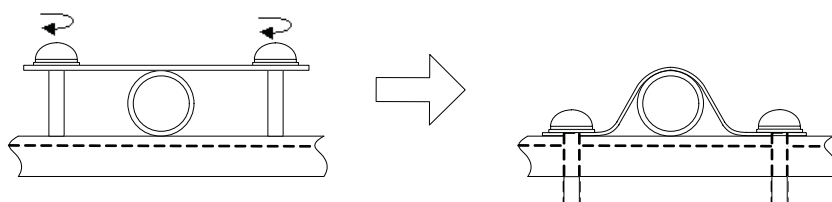
Attenersi alla seguente procedura per bloccare e schermare i cavi di controllo negli inverter IP54



Allentare entrambe le viti di montaggio del morsetto di terra



Inserire il cavo schermato di controllo tra il morsetto di terra e la piastra di supporto del cavo



Serrare a fondo le viti, alternativamente.

Fig. 12 Procedura per il collegamento a terra della schermatura del cavo di controllo

Funzionamento tastierino

◆ Display della console di programmazione

Di seguito vengono elencati i nomi dei tasti e le relative funzioni della console di programmazione.



Spie delle modalità di funzionamento

FWD: si accende quando viene inserito un comando di marcia avanti.

REV: si accende quando viene inserito un comando di marcia indietro.

SEQ: si accende quando viene attivato il comando di marcia dal terminale del circuito di controllo.

REF: si accende quando viene attivata la frequenza di riferimento dai terminali del circuito di controllo A1 e A2

ALARM: si accende quando si verifica un errore o viene attivato un allarme.

Visualizzazione dati

Visualizza i dati di monitoraggio, i valori dei parametri e le impostazioni.

Tasti

Utilizzati per l'impostazione dei parametri utente, il monitoraggio, la marcia a impulsi e l'autotuning.

■ Tasti della console di programmazione

Tasto	Descrizione	Funzione
	Tasto LOCAL/REMOTE	Consente di attivare alternativamente la modalità di funzionamento dalla console di programmazione (LOCAL) e le impostazioni in b1-01 e b1-02 (REMOTE). Questo tasto può essere attivato o disattivato impostando il parametro o2-01.
	Tasto MENU	Consente di selezionare le modalità.
	Tasto ESC	Ripristina lo stato precedente all'uso del tasto ENTER.
	Tasto JOG	Attiva la funzione di jog quando l'inverter viene azionato dalla console di programmazione.
	Tasto FWD/REV	Consente di selezionare la direzione di rotazione del motore quando l'inverter viene azionato dalla console di programmazione.
	Tasto Shift/RESET	Imposta la cifra attiva durante la programmazione dei parametri utente. Funziona anche come tasto di ripristino quando si verifica un errore.
	Tasto di incremento	Consente di selezionare i valori dei parametri utente e incrementa le impostazioni dei parametri stessi. Utilizzato per passare alla voce o ai dati successivi.
	Tasto di decremento	Consente di selezionare i valori dei parametri utente e diminuisce le impostazioni dei parametri stessi. Utilizzato per passare alla voce o ai dati precedenti.
	Tasto ENTER	Permette di accedere ai menu e ai parametri e conferma le impostazioni dei parametri.
	Tasto RUN	Attiva il funzionamento quando l'inverter viene azionato dalla console di programmazione (modalità LOCAL).
	Tasto STOP	Arresta il funzionamento dell'inverter (modalità LOCAL e REMOTE). Questo tasto può essere attivato o disattivato quando il funzionamento viene gestito da una sorgente diversa dalla console di programmazione impostando il parametro o2-02.

Avvio e configurazione di base dei parametri

◆ Procedura di avvio

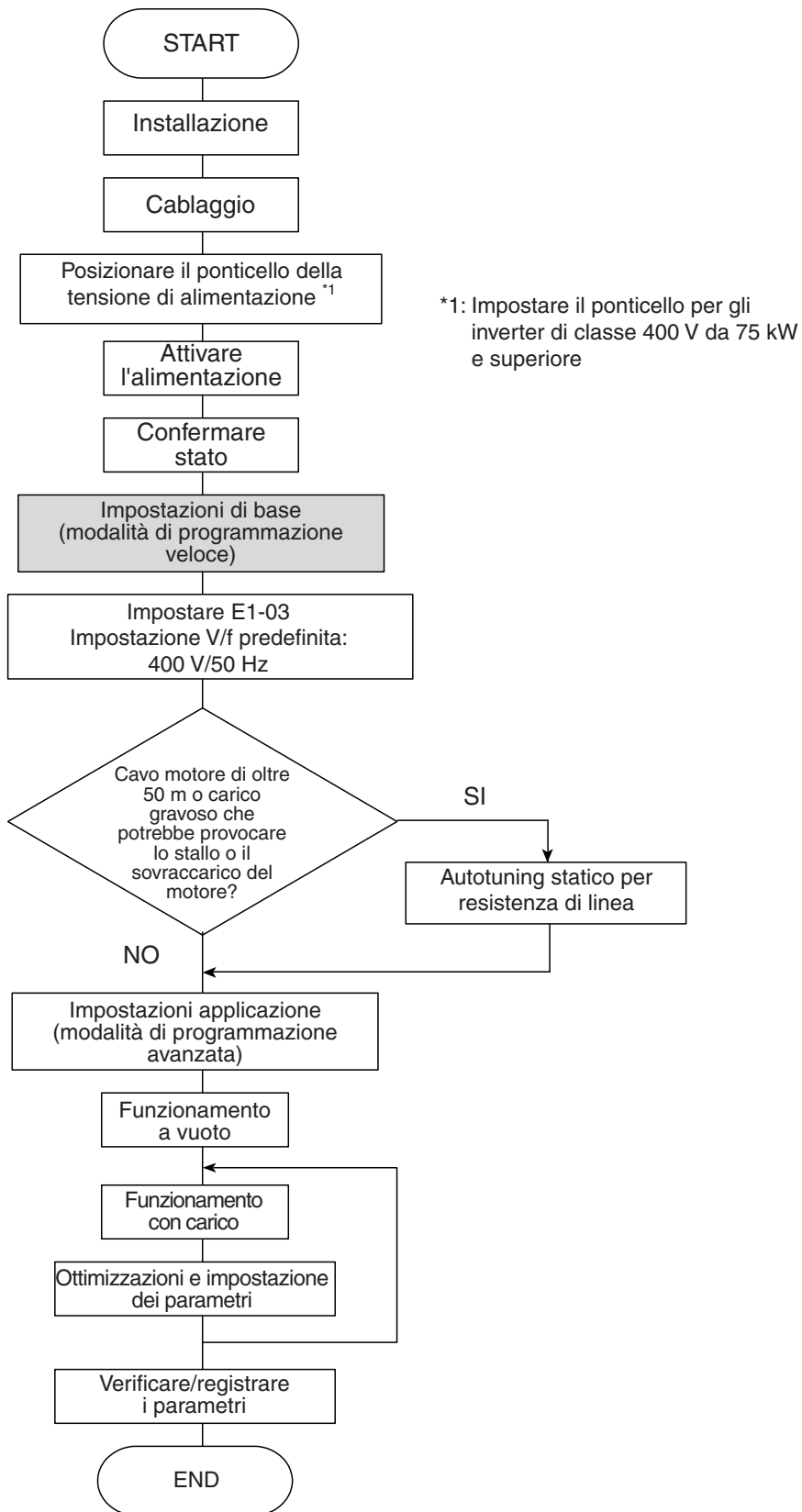


Fig. 13 Diagramma per il test di funzionamento

◆ Prima dell'avvio

È necessario verificare attentamente quanto riportato di seguito prima di attivare l'alimentazione.

- Verificare che l'alimentazione sia conforme alle specifiche dell'inverter.
- Verificare che i cavi di alimentazione siano saldamente collegati ai terminali (L1, L2, L3).
- Verificare che i cavi motore siano saldamente collegati ai terminali di destra sia sul lato dell'inverter (U, V, W) sia sul lato del motore.
- Verificare che il circuito di frenatura/resistenza di frenatura sia collegato correttamente.
- Verificare che il terminale del circuito di controllo dell'inverter e il dispositivo di controllo siano cablati correttamente.
- Impostare tutti i terminali del circuito di controllo su OFF.
- Quando si utilizza un scheda PG, verificare che sia cablata in modo corretto.

◆ Display dopo l'avvio

Dopo un avvio normale e privo di problemi, il display della console di programmazione mostra i seguenti messaggi.

Display per il funzionamento normale

-DRIVE-	Frequency Ref ^{Rdy}
U1-01	=50,00 Hz
U1-02	= 0,00 Hz
U1-03	= 0,00 A

Il monitoraggio della frequenza di riferimento viene visualizzato sul display di dati.

Quando si verifica un errore o si attiva un allarme, viene visualizzato un messaggio di errore o di allarme. In questo caso, fare riferimento a [pagina 23, Soluzione dei problemi](#).

Display in caso di errore

-DRIVE-
UV
Caduta di tensione principale

Viene visualizzato un messaggio di errore o di allarme sul display. L'esempio mostra un allarme di bassa tensione.

◆ Autotuning per resistenza di linea

L'autotuning può essere utilizzato per migliorare le prestazioni quando il cavo del motore è molto lungo o il motore e l'inverter hanno potenze nominali differenti.

Per eseguire l'autotuning, impostare T1-02 (Potenza nominale motore) e T1-04 (Corrente nominale motore) e quindi premere il tasto RUN sulla console di programmazione. L'inverter fornirà potenza al motore per circa 20 secondi e la resistenza di linea (resistenza del cavo e avvolgimenti statore) verrà misurata automaticamente.



IMPORTANT

1. Durante l'autotuning il motore viene alimentato, anche se non gira. Non toccare il motore fino al termine dell'autotuning.
2. Accertarsi che tutti i contattori del motore siano chiusi prima di avviare l'autotuning.
3. Per annullare l'autotuning, premere il tasto STOP sulla console di programmazione.

■ Altri allarmi ed errori durante l'autotuning

Per informazioni generali su possibili allarmi o errori durante l'autotuning e le relative azioni correttive, vedere [pagina 25, Errori di autotuning](#).

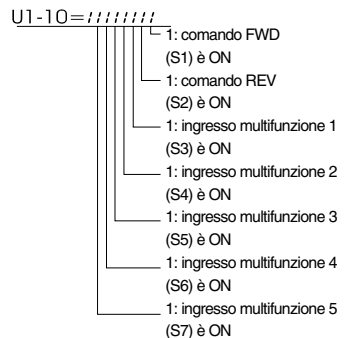
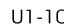
Parametri utente

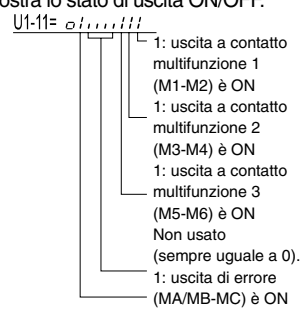
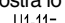
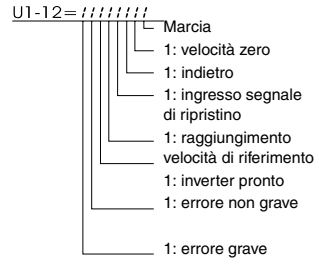
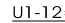
Nr. parametro	Descrizione	Descrizione
Inizializzare i dati		
A1-00	Selezione la lingua per il display della console di programmazione (solo JVOP-160-OY)	0: Inglese 2: Tedesco 3: Francese 4: Italiano 5: Spagnolo 6: Portoghese
A1-01	Livello di accesso parametri	0: Solo monitoraggio (monitoraggio e impostazione per i parametri A1-01 e A1-04). 1: Utilizzato per selezionare i parametri utente (è possibile leggere e impostare solo i parametri compresi nell'intervallo da A2-01 a A2-32). 2: Avanzato (i parametri possono essere letti ed impostati nella modalità di programmazione rapida (Q) e in quella di programmazione avanzata (A).)
A1-03	Inizializzazione	0: Nessuna inizializzazione 1110: Effettua l'inizializzazione utilizzando i parametri utente 2220: Effettua l'inizializzazione utilizzando una sequenza a 2 fili. (inizializza basandosi sull'impostazione di fabbrica). 3330: Inizializzazione eseguita utilizzando una sequenza a 3 fili
Sequenza/Sorgente di riferimento		
b1-01	Selezione sorgente di riferimento	Impostas il metodo di ingresso della frequenza di riferimento. 0: Console di programmazione 1: Terminale del circuito di controllo (ingresso analogico) 2: Comunicazione seriale (RS422/485) 3: Scheda opzionale
b1-02	Selezione sorgente comando RUN	Impostas il metodo di ingresso per il comando di marcia. 0: Console di programmazione 1: Terminale del circuito di controllo (ingressi digitali) 2: Comunicazione seriale (RS422/485) 3: Scheda opzionale
b1-03	Selezione metodo di arresto	Consente di selezionare il metodo di arresto quando viene rimosso il segnale Run 0: Arresto per decelerazione 1: Arresto per inerzia 2: Iniezione c.c. fino ad arresto 3: Arresto per inerzia con temporizzatore (i nuovi comandi RUN vengono ignorati durante l'arresto per inerzia.)
b1-04	Disabilitazione funzionamento di marcia indietro	0: Marcia indietro abilitata 1: Marcia indietro disabilitata 2: Rotazione fase di uscita (entrambe le direzioni di rotazione sono abilitate) 3: Rotazione fase di uscita con marcia indietro abilitata.
Ricerca della velocità		
b3-01	Selezione della ricerca della velocità (calcolo della velocità o rilevamento della corrente)	Abilita/disabilita la funzione di ricerca della velocità e ne imposta il metodo. 0: Disabilitata, calcolo della velocità 1: Abilitata, calcolo della velocità 2: Disabilitata, rilevamento della corrente 3: Abilitata, rilevamento della corrente
b3-14	Selezione della ricerca della velocità bidirezionale	Abilita o disabilita la funzione bidirezionale della ricerca della velocità. 0: Disabilitata 1: Abilitata

Nr. parametro	Descrizione	Descrizione
Controllo PI		
b5-01	Selezione modalità di controllo PI	0: Disabilitata 1: Abilitata 3: Controllo PI abilitato (frequenza di riferimento + uscita PI)
b5-02	Guadagno proporzionale (P)	Imposta il guadagno proporzionale del controllore PI. Il controllo P non viene eseguito se il valore è impostato su 0,00.
b5-03	Tempo integrale (I)	Imposta il tempo integrale del controllore PI. Il controllo I non viene eseguito se il valore è impostato su 0,0.
b5-09	Selezione caratteristiche uscita PI	Consente di selezionare la direzione avanti/indietro per l'uscita PI. 0: Uscita PI avanti 1: Uscita PI indietro
b5-17	Tempo di accelerazione/decelerazione per riferimento PI	Imposta il tempo di accelerazione/decelerazione per la funzione Softstarter PID (SFS)
b5-18	Selezione set point PI	0: Disabilitata 1: Abilitata
b5-19	Set point PI	Valore di riferimento PI
b5-31	Selezione unità PI	Seleziona le unità relative ai valori del controllore PI (b5-19, U1-24, U1-38).
Impostazioni di accelerazione/decelerazione		
C1- <input type="checkbox"/>	Tempi di accelerazione/decelerazione	Imposta il tempo di accelerazione necessario per passare da 0 Hz fino alla frequenza di uscita massima.
Impostazioni curva a S		
C2- <input type="checkbox"/>	Tempo caratteristico della curva a S all'accelerazione	Imposta il tempo caratteristico della curva a S all'avvio e al termine dell'accelerazione.
Frequenza portante		
C6-02	Selezione frequenza portante	Consente di selezionare la frequenza portante (l'impostazione di fabbrica dipende dalla capacità dell'inverter). 0: Poco rumore, portante bassa 1: 2,0 kHz 2: 5,0 kHz 3: 8,0 kHz 4: 10,0 kHz 5: 12,5 kHz 6: 15,0 kHz F: Modello programmabile
Impostazioni velocità		
Da d1-01 a d1-04	Multivelocità di riferimento da 1 a 4	Imposta le multivelocità di riferimento.
d1-17	Frequenza di riferimento di jog	
Limiti di riferimento		
d2-01	Limite superiore frequenza di riferimento	Imposta il limite superiore della frequenza di riferimento come percentuale della frequenza di uscita massima (E1-04).
d2-02	Limite inferiore frequenza di riferimento	Imposta il limite inferiore della frequenza di riferimento come percentuale della frequenza di uscita massima (E1-04).
Impostazioni linea caratteristica V/f		
E1-01	Impostazione voltaggio in ingresso	Questa impostazione viene utilizzata come valore di riferimento nelle funzioni di protezione.

Nr. parametro	Descrizione	Descrizione
E1-04	Frequenza di uscita massima (FMAX)	<p>Tensione di uscita (V)</p> <p>Per impostare le caratteristiche V/f in sequenza, impostare gli stessi valori per E1-07 e E1-09. In questo caso non viene considerata l'impostazione per E1-08. Verificare sempre che le quattro frequenze siano impostate nel modo seguente: $E1-04 (FMAX) \geq E1-06 (FA) > E1-07 (FB) \geq E1-09 (FMIN)$</p>
E1-05	Tensione d'uscita max. (VMAX)	
E1-06	Frequenza base (FA)	
E1-13	Tensione di base (VBASE)	
Impostazioni dati motore		
E2-01	Corrente nominale del motore	Imposta i dati del motore. Impostare i valori corretti se si utilizza la protezione termica del motore.
E2-03	Corrente a vuoto del motore	
E2-05	Resistenza motore line-to-line	
Impostazioni I/O digitali		
H1-01 a H1-05	Selezione funzione terminali da S3 a S7	Per un elenco delle selezioni, vedere pagina 22, Selezioni funzioni per ingressi digitali (da H1-01 a H1-05) .
H2-01 e H2-02	Selezione funzione terminali M1-M2 e M3-M4	Per un elenco delle selezioni, vedere pagina 22, Selezioni funzioni uscite digitali .
Impostazioni I/O analogici		
H3-08	Selezione livello segnale di ingresso analogico A2	Consente di selezionare il livello del segnale d'ingresso analogico multifunzione A2. 0:0 ... +10 V (11 bit). 2: Da 4 a 20 mA (ingresso a 9 bit) 3: Da 0 a 20 mA (ingresso a 9 bit) Accertarsi di impostare S1-2 su "V" prima di utilizzare un ingresso di tensione.
H3-09	Selezione funzione ingresso analogico A2.	Consente di selezionare la funzione di ingresso analogico multifunzione per il terminale A2.
H3-13	Attivazione terminale A1/A2	Consente di selezionare il terminale che può essere utilizzato come ingresso per la frequenza di riferimento principale. 0: Utilizzare l'ingresso analogico 1 sul terminale A1 come frequenza di riferimento principale. 1: Utilizzare l'ingresso analogico 2 sul terminale A2 per la frequenza di riferimento principale.
H4-01	Selezione terminale monitor FM	Imposta il numero del parametro da monitorare in uscita (U1-□□) dal terminale FM/AM.
H4-04	Selezione monitor terminale AM	
H4-05	Terminal AM Gain	Imposta il guadagno di uscita analogico AM. Imposta la percentuale del valore da monitorare equivalente a 10 V in uscita sul terminale AM.

Nr. parametro	Descrizione	Descrizione
Protezione motore		
L1-01	Selezione protezione motore	0: Disabilitata 1: Protezione motore di uso generico (motore con raffreddamento a ventola) 2: Protezione motore inverter (motore con raffreddamento esterno) 3: Protezione motore vettoriale Quando si disattiva l'alimentazione dell'inverter, viene ripristinato il valore del terminale. Pertanto, anche se questo viene abilitato, la protezione potrebbe non risultare efficace.
Funzionamento inerziale dopo perdita di potenza		
L2-01	Rilevamento caduta di tensione momentanea	0: Disabilitato (rilevamento di sottotensione (UV1) del bus in continua) 1: Abilitato (riavviato quando l'alimentazione rientra nell'intervallo di tempo impostato in L2-02. Se viene superato il parametro L2-02, viene rilevata una sottotensione del bus in continua). 2: Abilitato mentre la CPU è in funzione (riavviato se l'alimentazione ritorna durante operazioni di controllo e non viene rilevato alcun evento di sottotensione del bus in continua)
Prevenzione di stallo		
L3-01	Selezione prevenzione stallo durante accel.	0: Disabilitato (accelerazione come impostazione. Con un carico pesante, il motore potrebbe andare in stallo). 1: Abilitato (accelerazione interrotta quando si supera il livello impostato in L3-02 e riprende quando la corrente scende di nuovo sotto il livello di prevenzione da stallo). 2: Modalità di accelerazione intelligente (l'accelerazione viene regolata automaticamente in base al livello di L3-02, ignorando il tempo di accelerazione impostato).
L3-02	Livello prevenzione da stallo durante accel.	Valido quando L3-01 è impostato su 1 o 2. Impostato come percentuale della corrente nominale dell'inverter.
L3-04	Selezione prevenzione da stallo durante decel.	0: Disabilitata (decelerazione come impostazione. Se il tempo di decelerazione è troppo breve, potrebbe verificarsi una sovratensione del bus in continua) 1: Abilitata (la decelerazione si interrompe quando la tensione del bus in continua supera il livello di prevenzione dello stallo e riprende quando la tensione scende di nuovo sotto il livello di prevenzione da stallo). 2: Modalità di decelerazione intelligente (la velocità di decelerazione viene regolata automaticamente in modo che l'inverter rallenti nel più breve tempo possibile, ignorando il tempo di decelerazione impostato). Quando si utilizza un'opzione di frenatura (modulo di frenatura), impostare questo parametro su 0.
L3-05	Selezione prevenzione stallo durante funzionamento	0: Disabilitato (funziona per impostazione. Con un carico pesante, il motore potrebbe andare in stallo). 1: Decelerazione eseguita utilizzando il tempo di decelerazione 1 (C1-02). 2: Decelerazione eseguita utilizzando il tempo di decelerazione 2 (C1-04).
L3-06	Livello prevenzione stallo durante funzionamento	Valido quando L3-05 è impostato su 1 o 2. Impostato come percentuale della corrente nominale dell'inverter.

Nr. parametro	Descrizione	Descrizione
Riavvio dopo errore		
L5-01	Numero di tentativi avvii automatici	Imposta il numero di tentativi di riavvio automatico. Riavvia automaticamente dopo un errore ed esegue una ricerca della velocità dalla frequenza di funzionamento.
L5-02	Selezione funzionamento riavvio automatico	Specifica se viene attivato un relé durante il riavvio dopo l'errore. 0: Nessuna uscita (relé errori non attivato). 1: Uscita (relé errori attivato).
Rilevamento carico		
L6-01	Selezione rilevamento carico	0: Rilevamento carico disabilitato. 1: Rilevamento sovraccarico solo con accordo velocità; il funzionamento continua (allarme). 2: Rilevamento sovraccarico continuo durante il funzionamento; il funzionamento continua (allarme). 3: Rilevamento sovraccarico solo con accordo velocità; arresto per inerzia (errore). 4: Rilevamento sovraccarico continuo durante il funzionamento; arresto per inerzia (errore). 5: Rilevamento perdita di carico solo con accordo velocità; il funzionamento continua (allarme). 6: Rilevamento perdita di carico continuo durante il funzionamento; il funzionamento continua (allarme). 7: Rilevamento perdita di carico solo con accordo velocità; arresto per inerzia (errore). 8: Rilevamento perdita di carico continuo durante il funzionamento; arresto per inerzia (errore).
L6-02	Livello di rilevamento carico	La corrente nominale dell'inverter è impostata su 100%.
L6-03	Tempo di rilevamento carico	Imposta il tempo di rilevamento del sovraccarico/perdita di carico.
Dati di monitoraggio		
U1-01	Frequenza di riferimento in Hz/rpm	
U1-02	Frequenza di uscita in Hz/rpm	
U1-03	Corrente di uscita in A	
U1-06	Tensione di uscita Vc.a.	
U1-07	Tensione bus in continua in Vc.c.	
U1-08	Potenza di uscita in kW	
U1-10	Stato dei terminali di ingresso	Mostra lo stato di ingresso ON/OFF.  U1-10 =  1: comando FWD (S1) è ON 1: comando REV (S2) è ON 1: ingresso multifunzione 1 (S3) è ON 1: ingresso multifunzione 2 (S4) è ON 1: ingresso multifunzione 3 (S5) è ON 1: ingresso multifunzione 4 (S6) è ON 1: ingresso multifunzione 5 (S7) è ON

Nr. parametro	Descrizione	Descrizione
U1-11	Stato dei terminali di uscita	Mostra lo stato di uscita ON/OFF.  U1-11 =  1: uscita a contatto multifunzione 1 (M1-M2) è ON 1: uscita a contatto multifunzione 2 (M3-M4) è ON 1: uscita a contatto multifunzione 3 (M5-M6) è ON Non usato (sempre uguale a 0). 1: uscita di errore (MA/MB-MC) è ON
U1-12	Stato di funzionamento	Stato di funzionamento dell'inverter.  U1-12 =  Marcia 1: velocità zero 1: indietro 1: ingresso segnale di ripristino 1: raggiungimento velocità di riferimento 1: inverter pronto 1: errore non grave 1: errore grave
U1-13	Tempo di funzionamento cumulativo in ore.	
U1-24	Valore di retroazione PI in %	
U1-29	Visualizzazione energia accumulata 1 in kWh	
U1-30	Visualizzazione energia accumulata 2 in MWh	
U1-34	Parametro errore OPE	
U1-36	Volume ingresso PI in %	
U1-37	Volume uscita PI in %	
U1-38	Volume set point PI in %	
U1-40	Tempo di funzionamento ventola di raffreddamento in ore.	
U1-53	Retroazione PI 2 in %	
Dati traccia degli errori		
U2-01	Errore corrente	
U2-02	Ultimo errore	
U2-03	Frequenza di riferimento su errore	
U2-04	Frequenza di uscita su errore	
U2-05	Corrente di uscita su errore	
U2-07	Tensione di uscita di riferimento su errore	
U2-08	Tensione bus in continua su errore	
U2-09	Potenza di uscita su errore	
U2-11	Stato terminale di ingresso su errore	
U2-12	Stato terminale d'uscita su errore	
U2-13	Stato operativo su errore	
U2-14	Tempo di funzionamento cumulativo su errore	
Dati storico errori		
U3-01 ...	Dall'ultimo al quartultimo errore	
U3-05 ...	Tempo di funzionamento cumulativo su errori da 1 a 4	
Da U3-09 a U3-14	Dal quintultimo al decimo errore	
Da U3-15 a U3-20	Tempo cumulato dal quintultimo al decimo errore	
* I seguenti errori non vengono registrati nello storico degli errori: CPF00, 01, 02, 03, UV1 e UV2.		

Impo- sta- zione	Descrizione
Selezioni funzioni per ingressi digitali (da H1-01 a H1-05)	
3	Multivelocità di riferimento 1
4	Multivelocità di riferimento 2
6	Comando frequenza di jog (con priorità sulla multive- locità di riferimento)
F	Non utilizzato (impostato quando un terminale non viene utilizzato)
14	Ripristino dopo errore (ripristino quando è ON)
19	Disabilitazione controllo PI
20... 2F	Errore esterno; modalità ingresso: contatto NA/con- tatto NC Modalità di rilevamento: normale/durante il funzionamento.
Selezioni funzioni uscite digitali (H2-01 e H2-02)	
0	Durante la marcia 1 (ON: il comando di marcia è attivato o è presente tensione in uscita)
6	Inverter pronto al funzionamento; READY: dopo l'inizializza- zione o nessun errore
F	Non utilizzato (impostato quando il terminale non viene utilizzato)

Soluzione dei problemi

Errori e allarmi indicano condizioni dell'inverter/applicazione insolite

Un allarme non disattiva necessariamente l'inverter, ma viene visualizzato un messaggio sul tastierino (ossia, un codice di allarme lampeggiante) ed è possibile generare un'uscita di allarme sulle uscite multifunzione (H2-01 e H2-02), se programmato. L'allarme scompare automaticamente se la relativa condizione non si ripresenta più.

Un errore disattiva immediatamente l'uscita dell'inverter, un messaggio viene visualizzato sul tastierino e l'uscita di errore viene commutata. È necessario ripristinare l'errore manualmente una volta rimossi la causa e il segnale RUN.

Nella tabella seguente viene riportato un elenco di errori e allarmi con le relative contromisure.

Tabella 5 Elenco degli errori e degli allarmi

Display	Allarme	Errore	Significato	Azioni correttive
BUS Option Com Err		○	Allarme comunicazione scheda opzionale Una volta stabilita la prima comunicazione, si è perso il collegamento.	Verificare i collegamenti e tutte le configurazioni software ato utente.
CPF00 COM- ERR(OP&INV)		○	Errore di comunicazione console di programmazione 1/2 • Errore di comunicazione tra la console di programmazione e l'inverter • Errore RAM esterna CPU	<ul style="list-style-type: none"> • Scollegare la console di programmazione e, quindi, ricollegarla. • Riavviare l'inverter. • Sostituire l'inverter.
CPF01 COM- ERR(OP&INV)				
CPF0x		○	Errore CPF02, CPF03, CPF04 • Errore circuito blocco delle basi • Errore nella memoria EEPROM • Errore convertitore A/D interno CPU	<ul style="list-style-type: none"> • Eseguire un'inizializzazione con i valori predefiniti di fabbrica. • Riavviare l'inverter. • Sostituire l'inverter.
EF Errore esterno	○		Comandi di marcia avanti/indietro immessi contemporaneamente Entrambi i comandi avanti ed indietro sono stati immessi contemporaneamente per 500 ms o più. Questo allarme arresta il motore.	Verificare la sequenza logica esterna in modo che venga attivato un solo ingresso alla volta.
EF0 Opt External Fit		○	Errore esterno, ingresso da scheda comunicazioni opzionale	<ul style="list-style-type: none"> • Verificare se vi è la condizione di errore esterno. • Verificare i parametri. • Verificare i segnali di comunicazione
EFx Ext Fault Sx	○	○	Errore esterno su terminale Sx (x indica i terminali da S3 a S7)	Eliminare la causa della condizione di errore esterno.
Ext Run active Cannot Reset	○		Rilevato dopo un errore, quando viene immesso un comando RESET mentre è ancora attivo il comando RUN.	Disabilitare il segnale RUN e resettare l'errore.
GF Errore di terra		○	Errore di terra La corrente di massa all'uscita dell'inverter supera del 50% la corrente d'uscita nominale dell'inverter e L8-09 = 1 (attivato).	<ul style="list-style-type: none"> • Togliere il motore e far funzionare l'inverter senza motore. • Controllare il motore per un cortocircuito tra fase e massa. • Controllare la corrente in uscita con un misuratore di corrente per verificare la lettura del DCCT. • Verificare la sequenza di controllo per i segnali dei contattori del motore errati.
LL3 Loss of Load Det	○	○	Perdita di carico È stata rilevata una perdita del carico del motore sulla base delle impostazioni dei parametri da L6-01 a L6-03.	<ul style="list-style-type: none"> • Assicurarsi che le impostazioni in L6-02 e L6-03 siano appropriate. • Controllare il sistema meccanico (collegamento meccanico del carico, ad esempio la cinghia).
OC Sovracorrente		○	Sovracorrente La corrente in uscita dell'inverter supera il livello di rilevamento di sovracorrente.	<ul style="list-style-type: none"> • Togliere il motore e far funzionare l'inverter senza motore. • Controllare il motore per un corto circuito tra fase e fase. • Verificare i tempi di accelerazione/decelerazione (C1-□□). • Controllare l'inverter per un corto circuito tra fase e fase in uscita.
OH Heatsink Over- temp		○	Surriscaldamento dissipatore di calore L8-03 = 0, 1 o 2 e la temperatura della ventola di raffreddamento dell'inverter supera il valore impostato in L8-02. La ventola di raffreddamento dell'inverter è ferma	<ul style="list-style-type: none"> • Controllare eventuali accumuli di sporcizia sui ventilatori o sul dissipatore. • Ridurre la temperatura ambiente vicino all'azionamento. • Sostituire le ventole di raffreddamento.
		○	L8-03 = 3 o 4 e la temperatura della ventola di raffreddamento dell'inverter supera il valore impostato in L8-02.	

Display	Allarme	Errore	Significato	Azioni correttive
OH1 Heatsnk MAX Temp		○	Surriscaldamento dissipatore di calore La temperatura del dissipatore dell'inverter supera i 105° C. Arresto della ventola di raffreddamento dell'inverter	<ul style="list-style-type: none"> Controllare eventuali accumuli di sporcizia sulle ventole o sul dissipatore. Ridurre la temperatura ambiente vicino all'azionamento. Sostituire le ventole di raffreddamento.
OL1 Sovraccarico motore		○	Sovraccarico motore Rilevato quando L1-01 è impostato su 1,2 o 3 e il valore I _{pt} dell'inverter ha superato la curva di sovraccarico del motore. È possibile regolare la curva di sovraccarico utilizzando il parametro E2-01 (corrente nominale del motore), L1-01 (selezione protezione motore) e L2-02 (costante tempo protezione motore)	<ul style="list-style-type: none"> Verificare nuovamente il tempo di ciclo, le dimensioni del carico e i tempi di accel/decel (C1-□□). Verificare le caratteristiche V/f (E1-□□). Verificare l'impostazione del parametro Corrente Nominale del Motore (E2-01).
OL2 Inv Overload		○	Sovraccarico inverter La corrente di uscita dell'inverter supera la capacità di sovraccarico dell'inverter.	<ul style="list-style-type: none"> Verificare nuovamente il tempo di ciclo, le dimensioni del carico e i tempi di accel/decel (C1-□□). Verificare le caratteristiche V/f (E1-□□). Accertarsi che la corrente nominale dell'inverter corrisponda a quella del motore.
OV DC Bus Overvolt	○ (solo in condizioni di arresto)	○	La tensione del bus in continua ha superato il livello di rilevamento sovratensione. I livelli di rilevamento errore sono: Classe 200 V: 410 Vc.c. Classe 400 V: 820 Vc.c.	<ul style="list-style-type: none"> Aumentare il tempo di decelerazione (C1-02/04) oppure collegare un'opzione di frenatura. Verificare l'alimentazione e diminuire la tensione in conformità con le specifiche dell'inverter. Verificare l'interruttore ciclo di frenatura/resistenza.
PF Perdita fase di ingresso		○	Perdita fase di ingresso Ondulazione tensione bus in continua eccessiva. Rilevata solo quando L8-05 = 1 (attivato)	<ul style="list-style-type: none"> Stringere le viti dei terminali in ingresso. Verificare la tensione di alimentazione
PUF Apertura fusibile del bus in continua		○	Apertura fusibile bus in continua Il fusibile nel circuito principale è guasto. Avviso: Non azionare mai l'inverter dopo aver sostituito il fusibile bus in continua senza aver verificato che i vari componenti siano in corto.	<ul style="list-style-type: none"> Verificare corto circuiti o errori d'isolamento del motore e dei cavi del motore (fase a fase). Sostituire l'inverter dopo aver corretto l'errore.
UV1 DC Bus Undervolt	○ (solo in condizioni di arresto)	○	La tensione del bus in continua è inferiore al livello di rilevamento sottotensione. (L2-05). Le impostazioni predefinite sono: Classe 200 V: 190 Vc.c. Classe 400 V: 380 Vc.c.	<ul style="list-style-type: none"> Verificare la tensione d'ingresso. Verificare il cablaggio dei terminali di ingresso. Verificare la tensione d'ingresso e il cablaggio dei terminali di ingresso. Aumentare le impostazioni in C1-01/03.
UV2 CTL PS Undervolt		○	Errore funzionamento MC del circuito principale. Nessuna risposta dall'MC durante il funzionamento dell'inverter.	Sostituire l'inverter.
		○	Sottotensione dell'alimentazione di controllo. Sottotensione del circuito di controllo durante il funzionamento dell'inverter.	<ul style="list-style-type: none"> Rimuovere tutti i collegamenti ai terminali di controllo e riavviare l'inverter. Sostituire l'inverter.

◆ Errori di programmazione console

Un errore di programmazione della console (OPE) si verifica quando vengono impostati in modo inadeguato due o più parametri correlati tra loro o in caso di errata impostazione di un singolo parametro. L'inverter non funziona fino a quando il parametro non viene impostato correttamente; tuttavia non verranno emessi altri segnali di allarme o errore. Se si verifica un errore OPE, modificare il relativo parametro verificando la causa indicata nella tabella seguente. Quando viene visualizzato un errore OPE, premere il tasto ENTER per visualizzare U1-34 (OPE rilevato). Tale monitor visualizza il parametro che causa l'errore OPE.

Tabella 6 Elenco errori di programmazione console

Display	Significato	Azioni correttive
OPE01 kVA Selection	Errore d'impostazione kVA dell'inverter	Immettere l'impostazione kVA corretta in o2-04.
OPE02 Limit	L'impostazione del parametro non rientra nel relativo intervallo.	Verificare le impostazioni dei parametri.

Display	Significato	Azioni correttive
OPE03 Terminal	<p>Errore selezione ingresso multifunzione</p> <p>Si è verificato uno dei seguenti errori nelle impostazioni dell'ingresso multifunzione (da H1-01 a H1-05):</p> <ul style="list-style-type: none"> • Sono state selezionate funzioni doppie. • Comandi UP/DOWN (impostazioni 10 e 11) non selezionati contemporaneamente. • Comandi UP/DOWN (10 e 11) e Mantenimento rampa di accelerazione/decelerazione (A) selezionati contemporaneamente. • Sono stati impostati più ingressi di ricerca della velocità (61, 62, 64) contemporaneamente. • Sono stati impostati contemporaneamente il blocco base esterno NA (8) e il blocco base esterno NC (9). 	Verificare le impostazioni dei parametri in H1-□□
OPE03 Terminal	<ul style="list-style-type: none"> • Comandi UP/DOWN (10 e 11) selezionati con abilitazione del controllo PI (b5-01). • Comandi di arresto di emergenza NA e NC impostati contemporaneamente. • Preriscaldamento motore (60) e preriscaldamento motore 2 (80) impostati contemporaneamente. • Override di emergenza avanti (81) e override di emergenza indietro (82) impostati contemporaneamente. 	Verificare le impostazioni dei parametri in H1-□□
OPE05 Sequence Select	<p>Errore di selezione sorgente per segnale RUN/di riferimento</p> <p>Il parametro di selezione della fonte di riferimento b1-01 e/o il parametro di selezione della fonte di riferimento b1-02 vengono impostati su 3 (scheda opzionale) ma non è installata nessuna scheda opzionale.</p>	<ul style="list-style-type: none"> • Verificare che la scheda sia installata. Staccare la corrente e installare nuovamente la scheda opzionale • Verificare nuovamente l'impostazione di b1-01 e b1-02.
OPE09 PI Selection	<p>Errore configurazione controllo PI</p> <p>Le impostazioni riportate di seguito sono state selezionate contemporaneamente.</p> <ul style="list-style-type: none"> • b5-01 (Selezione modalità di controllo PI) è stato impostato su un valore diverso da 0. • b5-15 (Livello funzionamento funzione sleep del PI) è stato impostato su un valore diverso da 0. • b1-03 (Selezione metodo di arresto) è stato impostato su 2 o 3. 	Controllare le impostazioni dei parametri b5-01, b5-15 e b1-03.
OPE10 V/f Ptrn Setting	Errore d'impostazione parametro V/f	Verificare i parametri (E1-□□). Un valore di frequenza/tensione può essere impostato al di sopra del valore massimo di frequenza/tensione.

◆ Errori di autotuning

Di seguito sono riportati gli errori di autotuning. Quando i seguenti errori vengono rilevati, vengono visualizzati sulla console di programmazione e il motore continua a funzionare ad inerzia sino all'arresto completo. Non viene emesso alcun segnale d'errore o d'allarme.

Tabella 7 Elenco degli errori di autotuning

Display	Significato	Azioni correttive
Er - 01 Errore	Errore dati motore	<ul style="list-style-type: none"> • Verificare i dati d'ingresso. • Controllare la capacità del motore e dell'inverter. • Verificare il valore di corrente nominale del motore.
Er - 02 Errore minore	Allarme	<ul style="list-style-type: none"> • Verificare i dati d'ingresso. • Verificare il cablaggio e la macchina. • Verificare il carico.
Er - 03 STOP key	Ingresso tasto STOP	—
Er - 04 Resistance	<p>Errore resistenza di linea</p> <ul style="list-style-type: none"> • Non è stato possibile completare l'autotuning nel periodo di tempo specificato. • Il risultato dell'autotuning non rientra nella gamma di impostazione dei parametri. 	<ul style="list-style-type: none"> • Verificare i dati d'ingresso. • Controllare il cablaggio del motore.
End -3 Rated FLA Alm	<p>Allarme impostazione corrente nominale</p> <p>Visualizzato al completamento dell'autotuning</p> <p>Durante l'autotuning il valore misurato della corrente nominale del motore (E2-01) era superiore al valore impostato.</p>	Verificare il valore di corrente nominale del motore.

Guia Rápido do E7Z

Índice

Avisos	PT-2
◆ Precauções e instruções de segurança	PT-3
◆ Compatibilidade EMC	PT-4
Instalação	PT-5
◆ Instalação mecânica	PT-5
◆ Ligação eléctrica	PT-7
◆ Terminais do circuito principal	PT-8
◆ Ligar as entradas do circuito principal	PT-11
Funcionamento do teclado numérico	PT-16
◆ Ecrã da consola digital	PT-16
Arranque e configuração básica de parâmetros	PT-17
◆ Procedimento de arranque	PT-17
◆ Antes de ligar a alimentação	PT-18
◆ Ecrã após ligar a alimentação	PT-18
◆ Ajuste automático para resistência linha-a-linha	PT-18
Parâmetros do utilizador	PT-19
Resolução de problemas	PT-23
◆ Erros de programação do operador	PT-24
◆ Falhas do ajuste automático	PT-25



CUIDADO

Os cabos não podem ser ligados ou desligados, nem efectuados testes de sinal, enquanto a alimentação estiver ligada.

O condensador DC E7 do Varispeed permanece carregado mesmo após a alimentação ser desligada. Para evitar o risco de um choque eléctrico, desligue o variador de frequência do circuito principal antes de efectuar qualquer operação de manutenção. Posteriormente aguarde, pelo menos, 5 minutos após os LEDs se desligarem.

Não execute testes de resistência à tensão em qualquer parte do Varispeed. O variador de frequência, contém semicondutores que não estão preparados para suportar altas tensões.

Não remova a consola digital enquanto a alimentação do circuito principal estiver ligada. Também não é possível tocar na placa de circuito impresso enquanto o variador estiver ligado à alimentação.

Nunca ligue filtros de supressão de interferência LC/RC, condensadores ou dispositivos de protecção contra sobretensão à entrada ou saída do variador.

Para evitar a apresentação de falhas de sobrecorrente, etc. desnecessárias, os contactos de sinal de qualquer contactor ou interruptor colocado entre o variador e o motor, têm de ser integrados na lógica de controlo do variador (por exemplo, baseblock).

Isto é essencial!

Deverá ler cuidadosamente este manual antes de ligar e operar com o variador. Todas as precauções e instruções de segurança têm de ser seguidas.

O variador tem de ser operado com os filtros de linha apropriados, seguindo as instruções de instalação deste manual e com todas as coberturas fechadas e terminais protegidos. Apenas nesse caso a protecção é adequada. Não ligue ou opere qualquer equipamento com danos visíveis ou com peças em falta. A empresa operadora é responsável por quaisquer danos pessoais ou de equipamento resultantes do incumprimento dos avisos deste manual.

◆ Precauções e instruções de segurança

■ Geral

Deverá ler cuidadosamente as precauções e instruções de segurança antes de instalar e operar este variador. Leia também os sinais de aviso no variador e certifique-se que não são danificados ou removidos.

Podem ser acedidos componentes com carga durante a operação. Se remover componentes da estrutura, da consola digital ou as protecções do terminal, ou abrir a porta do variador corre o risco de sofrer lesões graves ou de provocar danos no equipamento, caso tenha sido efectuada uma instalação ou operação incorrecta. Pelo facto dos variadores de frequência controlarem a rotação dos componentes mecânicos da máquina, podem advir outros perigos.

As instruções deste manual têm de ser cumpridas. A instalação, operação e manutenção apenas podem ser efectuadas por pessoal qualificado. No âmbito das precauções de segurança, entende-se pessoal qualificado como indivíduos familiarizados com a instalação, arranque, operação e manutenção dos variadores de frequência e possuam qualificações apropriadas para executar este tipo de trabalho. Apenas é possível a operação destas unidades em segurança, se forem utilizadas de forma adequada e para o propósito previsto.

Os condensadores do bus DC podem permanecer com carga durante cerca de 5 minutos após o variador ser desligado da alimentação. Assim, é necessário esperar pelo menos 5 minutos antes de abrir as coberturas. Todos os terminais do circuito principal podem ainda estar carregados com tensões que podem ser perigosas.

Não podem ter acesso a estes variadores crianças e pessoas não autorizadas.

Mantenha estas precauções de segurança e instruções de utilização acessíveis e forneça-as a todas as pessoas com algum tipo de acesso aos variadores.

■ Utilização prevista

Os variadores de frequências foram projectados para serem instalados em sistemas eléctricos ou em maquinaria.

A sua instalação em máquinas e em sistemas, tem de estar de acordo com as seguintes normas da directiva de baixas tensões:

EN 50178, 1997-10, Equipamentos de sistemas de alimentação com dispositivos electrónicos

EN 60204-1, 1997-12 Segurança de máquinas e equipamentos de dispositivos eléctricos

Parte 1: Requisitos gerais (IEC 60204-1:1997)/

Atenção: Inclui a adenda de Setembro de 1998

EN 61010-1, A2, 1995 Requisitos de segurança para equipamentos de tecnologia de informação (IEC 950, 1991 + A1, 1992 + A2, 1993 + A3, 1995 + A4, 1996, modificado)

A marca CE passa a EN 50178, utilizando os filtros de linha especificados neste manual e seguindo as instruções de instalação apropriadas.

■ Transporte e armazenamento

As instruções para transporte, armazenamento e manuseamento correcto, têm de ser respeitadas de acordo com os dados técnicos.

■ Instalação

Instale e arrefeça os variadores conforme especificado na documentação. O ar de arrefecimento tem de fluir na direcção especificada. O variador apenas pode ser utilizado na posição especificada (ou seja, na posição vertical). Mantenha as folgas especificadas. Proteja os variadores de cargas não permitidos. Os componentes não podem ser dobrados e as folgas de isolamento não podem ser alteradas. Para evitar danos causados pela electricidade estática não toque em quaisquer componentes electrónicos ou contactos.

■ Ligação eléctrica

Execute qualquer trabalho em equipamento com carga em conformidade com os regulamentos nacionais de segurança e de prevenção de acidentes. Execute a instalação eléctrica em conformidade com os regulamentos relevantes. Em particular, siga as instruções de instalação garantindo a compatibilidade electromagnética (EMC), ou seja, blindagem, ligação à terra e colocação dos cabos. Também aplicável a equipamentos com a marca CE. É responsabilidade do fabricante do sistema ou da máquina garantir a conformidade com os limites da EMC.

Contacte o seu fornecedor ou o representante de controlo de movimento da Omron-Yaskawa quando utilizar o disjuntor de corrente de fuga em conjunção com os variadores de frequência.

Em alguns sistemas pode ser necessário utilizar monitorização adicional e dispositivos de segurança em conformidade com os regulamentos de segurança e de prevenção de acidentes. O hardware do variador de frequência não pode ser modificado.

■ Notas

Os variadores de frequência Varispeed E7 IP54 são certificados pela norma CE.

◆ Compatibilidade EMC

■ Introdução

Este manual foi compilado para ajudar os fabricantes de sistema que utilizam os variadores de frequência de controlo de movimento OMRON-YASKAWA (OYMC) a desenhar e a instalar comutadores eléctricos. Também descreve as medidas necessárias para estarem em conformidade com a directiva EMC. As instruções de instalação e de cablagem presentes neste manual têm de ser cumpridas à risca.

Os nossos produtos são testados pelas entidades competentes utilizando as normas listadas abaixo.

Norma de produtos: EN 61800-3:1996, EN 61800-3; A11:2000

■ Medidas para garantir a conformidade dos variadores de frequência OYMC à directiva EMC.

Os variadores de frequência de OYMC não necessitam de ser obrigatoriamente instalados num compartimento de comutação.

Não é possível fornecer instruções detalhadas para todos os tipos de instalação possíveis. Este manual limita-se a fornecer as directrizes gerais.

Todos os equipamentos eléctricos geram interferências rádio e de linha em várias frequências. Os cabos transmitem estas interferências para o ambiente por via aérea.

Ligar um componente eléctrico (por exemplo, um motor) a uma fonte de alimentação sem um filtro de linha pode, portanto, permitir interferências HF ou LF no circuito principal (um filtro de linha é incorporado no variador).

As contra-medidas básicas são: o isolamento da cablagem de controlo e dos componentes de potência, ligação à terra adequada e blindagem dos cabos.

É necessária uma área de contacto grande para efectuar a ligação à terra que permita a dissipação da interferência HF. Recomenda-se assim a utilização de correias de ligação à terra em vez de cabos.

Além disso, a blindagem dos cabos tem de ser ligada com grampos para ligação à terra.

■ Colocação dos cabos

Medidas para evitar a interferência de linha:

O Varispeed E7 IP54 está equipado com um filtro EMC interno. Para assegurar o melhor desempenho do filtro, certifique-se de que segue as instruções de montagem respeitantes à ligação das blindagens. Utilize um cabo do motor com uma blindagem adequadamente ligada à terra.

- Utilize um cabo com blindagem entrelaçada.
- Ligue à terra o máximo de área possível do cabo. Recomenda-se a ligação à terra da blindagem ligando o cabo à placa de ligação com grampos metálicos.
- Efectue a ligação à terra da blindagem dos cabos em ambas as extremidades e efectue a ligação à terra do motor da máquina.

Instalação

◆ Instalação mecânica

■ Desempacotar o variador

Verifique os itens seguintes após desempacotar o variador.

Item	Método
Foi recebido o modelo correcto de variador?	Verifique o número do modelo na placa de identificação na parte lateral do variador.
O variador está danificado?	Inspeccione o exterior do variador procurando por riscos ou outros danos derivados do transporte.
Algum parafuso ou outro componente está solto ou com folga?	Utilize uma chave de fendas ou outras ferramentas para assegurar-se do aperto.

Verifique também se os componentes que se seguem são fornecidos no pacote com o variador IP54.

Nome do componente	Qtd.
Bucim para cabo (para entrada)	1
Bucim para cabo (para saída de motor)	1
Bucim para cabo (para controlo)	1
Bucim para cabo (para Fieldbus)	1
Chave da porta	1
Bujão roscado (Entrada do cabo de controlo)	1
Bujão roscado (Entrada do cabo Fieldbus)	1

Se encontrar quaisquer irregularidades nos itens listados, contacte imediatamente a agência onde comprou o variador ou o seu representante de controlo de movimento Omron-Yaskawa.

■ Verificar o local de instalação

Tenha em consideração as precauções que se seguem ao montar o Variador.

- Instale o variador num local limpo, sem vapor de óleo nem poeiras.
- Quando instalar ou operar o variador, tome precauções especiais por forma a que o metal em pó, óleo, água ou outro material externo não se infiltre no variador.
- Não instale o variador sobre material combustível, tal como a madeira.
- Instale o variador num local sem materiais radioactivos ou combustíveis.
- Instale o variador num local sem gases nocivos e líquidos.
- Instale o variador num local estável (sem oscilação excessiva).
- Instale o variador num local sem cloretos.
- Instale o Variador num local que não esteja exposto à luz directa do sol.
- Os Variadores IP54 fornecem protecção contra poeiras não condutoras e salpicos de água provenientes de todas as direcções. Instale o Variador no interior de um ambiente aquecido e controlado, de modo a evitar a condensação dentro do Variador. Mantenha a água ou as poeiras fora do Variador IP54 ao efectuar a cablagem.
- Certifique-se de que os cadeados estão fechados antes de transportar o Variador. Leve sempre a caixa quando transportar o Variador, não transporte segurando a porta nem os bucins para cabos. Se os cadeados estiverem abertos ou o Variador estiver seguro pela porta (ou pelos bucins para cabos) ao transportar o corpo principal do Variador, ele poderá cair, podendo provocar lesões.
- Tenha atenção para não danificar os bucins para cabos ao levantar. Caso contrário, o equipamento poderá ficar danificado devido à entrada de água ou poeiras. Monte os bujões roscados ligados como opção e controle de entrada, caso estes terminais não estejam ligados
- Tenha atenção para não danificar os bucins para cabos durante a instalação

■ Orientação da instalação

Instale o variador de forma vertical de forma a não reduzir o efeito de resfriamento. Quando instalar o variador, deixe sempre o seguinte espaço de instalação para permitir uma dissipação do calor normalmente.

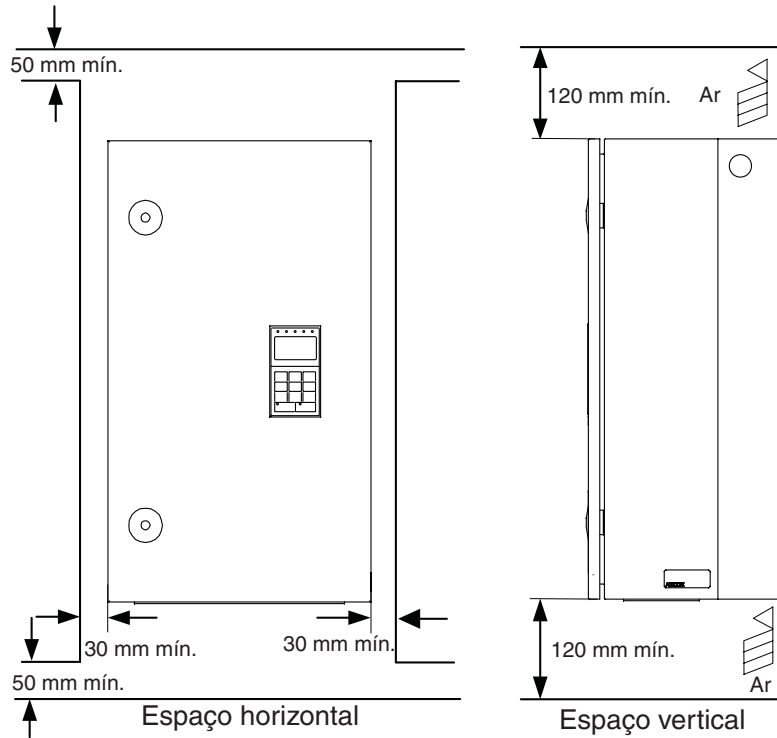


Fig 1 Local de instalação

◆ Ligação eléctrica

■ Ligar o variador

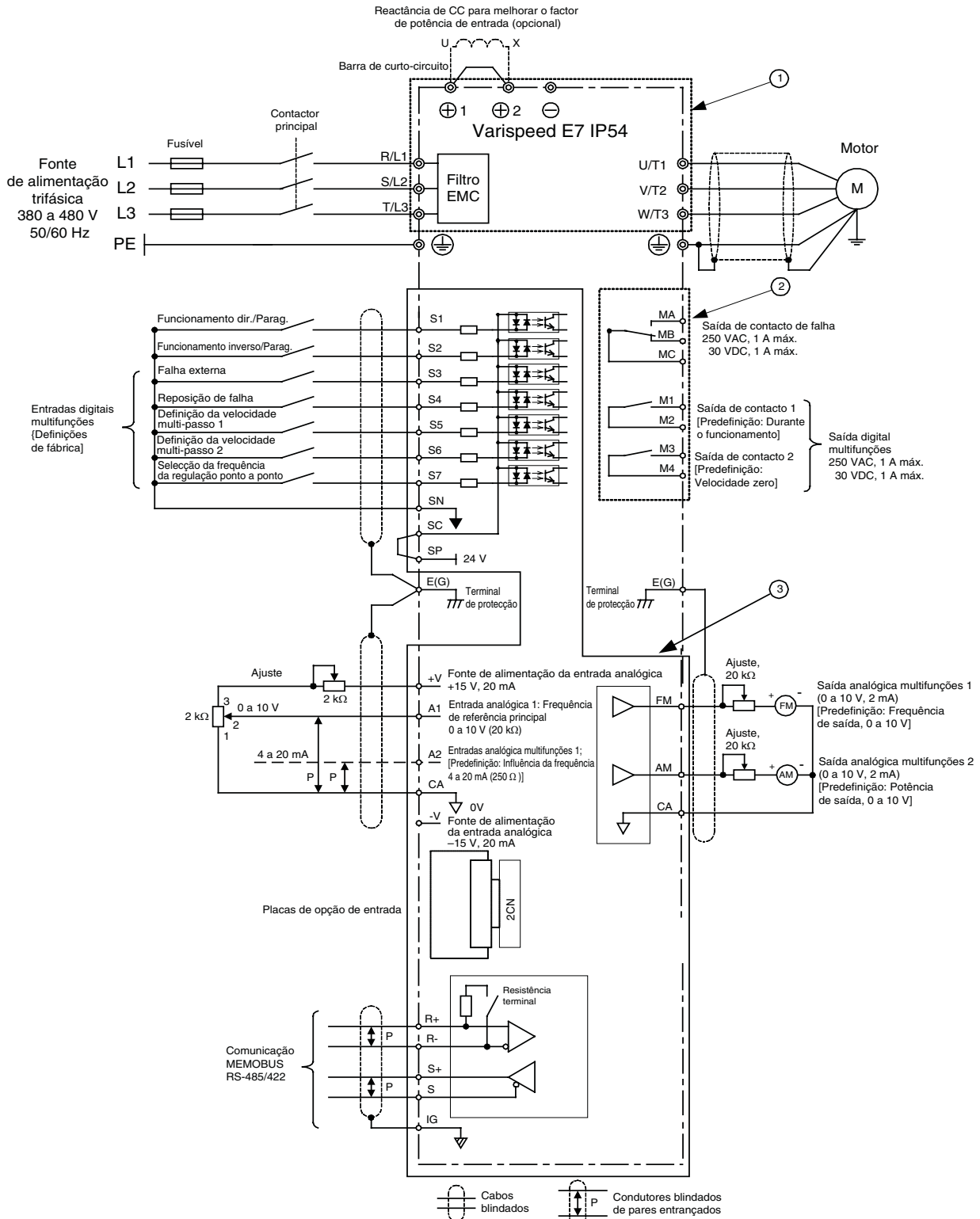


Fig 2 Diagrama de ligações

◆ Terminais do circuito principal

As funções de terminal do circuito principal encontram-se sumariadas consoante os símbolos do terminal em [Tabela 1](#). Ligue os terminais da forma mais adequada ao objectivo pretendido.

Tabela 1 Funções de terminal do circuito principal (Classe de 200 V e de 400 V)

Propósito	Símbolo de terminal	Modelo: CIMR-E7Z□□□□
Entrada da alimentação do circuito principal	R/L1, S/L2, T/L3	47P5 a 4055
Saídas do variador	U/T1, V/T2, W/T3	47P5 a 4055
Terminais do bus DC	⊕1, ⊖	47P5 a 4055
Ligação da reactância DC	⊕1, ⊕2	47P5 a 4018
Ligação da unidade de frenagem	⊕3, ⊖	47P5 a 4055
Terra	⊕	47P5 a 4055

■ Localização dos terminais do circuito principal

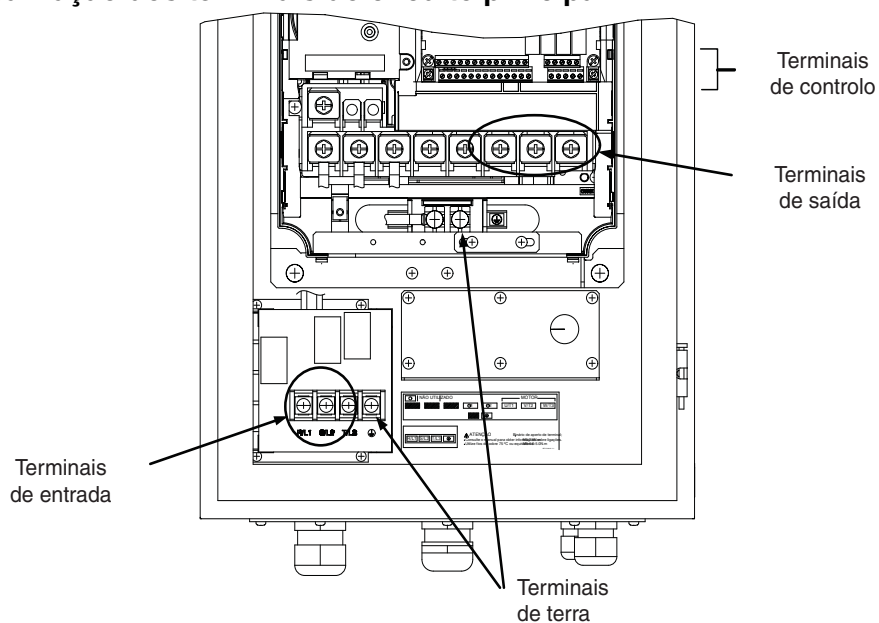


Fig 3 Disposição do terminal de variadores entre 7.5 e 30 kW

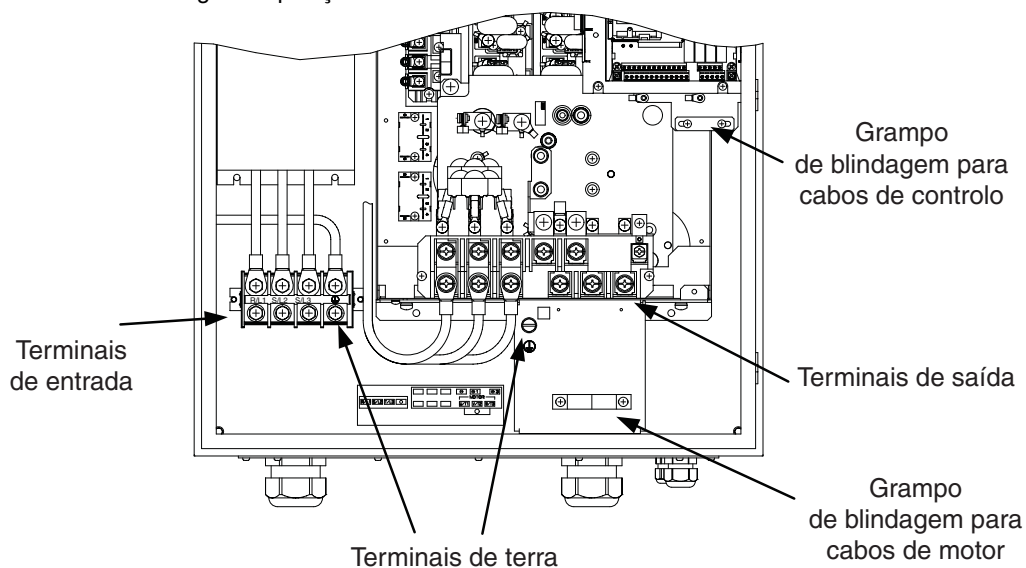


Fig 4 Disposição do terminal de variadores entre 37 e 55 kW

■ Terminais do circuito de controlo

Fig 5 mostra a disposição dos terminais de controlo. As funções dos terminais do circuito de controlo são mostradas em Tabela 2. Utilize os terminais adequados para os objectivos pretendidos.

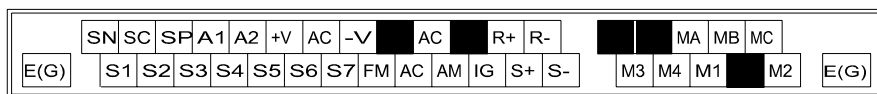


Fig 5 Disposição do terminal de controlo

Tabela 2 Terminais do circuito de controlo com definições predefinidas

Tipo	N.º	Nome do sinal	Função		Nível do sinal
Sinais de entrada digitais	S1	Comando de funcionamento directo/paragem	Quando ligado, funcionamento directo; paragem quando desligado.		24 VDC, 8 mA Isolamento do fotoacoplador
	S2	Comando de funcionamento inverso/paragem	Quando ligado, funcionamento inverso; paragem quando desligado.		
	S3	Entrada da falha externa *1	Falha quando ligado.		
	S4	Reposição de falha *1	Reposição quando ligado		
	S5	Velocidade de referência multi-passo 1 *1 (Interruptor principal/auxiliar)	Frequência de referência auxiliar quando ligado.		
	S6	Velocidade de referência multi-passo 2 *1	Velocidade multi-passo 2 quando ligado.		
	S7	Frequência de referência da regulação ponto a ponto *1	Frequência da regulação passo a passo quando ligado.		
	SC	Entrada digital comum	-		-
	SN	Neutro da entrada digital	-		-
	SP	Fonte de alimentação da entrada digital	Fonte de alimentação de +24 VDC para entradas digitais		24 VDC, 250 mA máx. *2
Sinais de entrada analógicos	+V	Saída de potência de 15 V	Fonte de alimentação de 15 V para referência analógica		15 V (Corrente máx.: 20 mA)
	A1	Frequência de referência	0 a +10 V/100%		0 a +10 V (20 kΩ)
	A2	Frequência de referência auxiliar	Frequência de referência analógica auxiliar; 4 a 20 mA (250 Ω)	A função é seleccionada configurando H3-09.	4 a 20 mA (250 Ω) 0 V a +10 V (20 kΩ) 0 a 20 mA (250 Ω)
	-V	Saída de potência de -15 V	Fonte de alimentação de -15 V para referência analógica		
	CA	Comum da referência analógica	-		-
	E(G)	Fio blindado, ponto de ligação à linha de terra opcional	-		-
Sinais de saída digitais	M1	Durante o funcionamento (contacto 1NA)	Fechado durante o funcionamento		Contactos do relé Capacidade do contacto: máx. 1 A a 250 VAC máx. 1 A a 30 VDC *3
	M2				
	M3	Velocidade zero (contacto 1NA)	FECHADO quando a frequência de saída estiver no nível zero (b2-01) ou abaixo		
	M4				
	MA	Sinal de saída da falha	FECHADO em MA e MC durante as falhas		
	MB		ABERTO em MB e MC durante as falhas		
MC					
Sinais de saída analógicos	FM	Frequência de saída	Sinal da frequência de saída analógica; 0 a 10 V; 10 V=FMAX	Função seleccionada por H4-01	0 a +10 V máx. ±5% 2 mA máx.
	CA	Analógico Comum	-		
	AM	Potência de saída do variador	Sinal da potência de saída analógico; 0 a 10 V; 10 V=capacidade máx. apl. do motor	Função seleccionada por H4-04	

Tipo	N.º	Nome do sinal	Função	Nível do sinal
RS-485/422	R+	Entrada de comunicações	Para RS-485 de 2 fios, efectue um curto-circuito em R+ e S+ assim como R- e S-.	Entrada diferencial, isolante PHC
	R-	MEMOBUS		
	S+	Saída de comunicações	-	-
	S-	MEMOBUS		
	IG	Sinal Comum		

- *1. As predefinições são fornecidas para os terminais S3 a S7. Para uma sequência de 3 fios, as predefinições são uma sequência de 3 fios para S5, definição de velocidade multi-passo 1 para S6 e definição de velocidade multi-passo 2 para S7.
- *2. Não utilize esta fonte de alimentação para alimentar qualquer equipamento externo.
- *3. Quando estiver a propulsionar uma carga reactiva, como uma bobina de relé com fonte de alimentação CC, insira sempre um diodo volante conforme mostrado na [Fig 6](#).

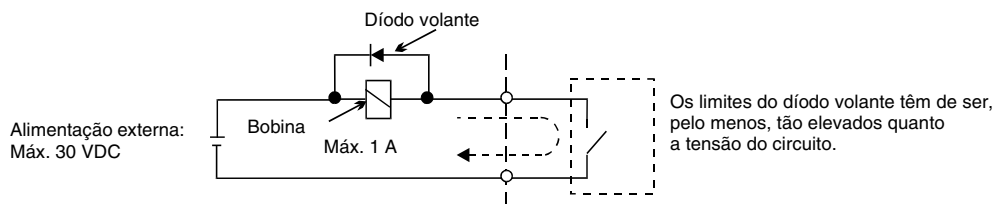


Fig 6 Ligação do díodo volante



1. Na [Fig 2](#), a ligação das entradas digitais S1 a S7 é mostrada para a ligação dos contactos ou transistores NPN (comum de 0 V e modo NPN). Esta é a configuração predefinida. Para ligação dos transistores PNP ou para utilizar uma fonte de alimentação externa de 24 V consulte a [Tabela 3](#).
2. Uma reactância DC apenas é opção para variadores de 18,5 kW ou inferior. A barra de curto-circuito deve ser removida quando ligar uma reactância DC.

■ Modo NPN/PNP (Seleção)

A lógica do terminal de entrada pode ser comutada entre modo NPN (comum de 0 V) e modo PNP (comum de +24 V) utilizando o conector CN5. Também é suportada uma fonte de alimentação externa, permitindo maior flexibilidade nos métodos de entrada do sinal.

Tabela 3 Modo NPN/PNP e sinais de entrada

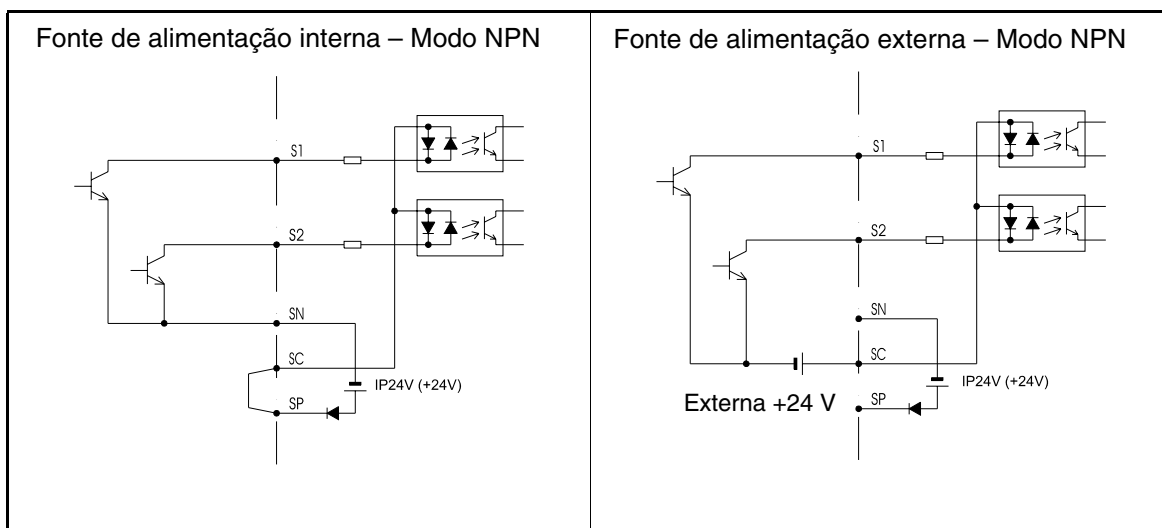
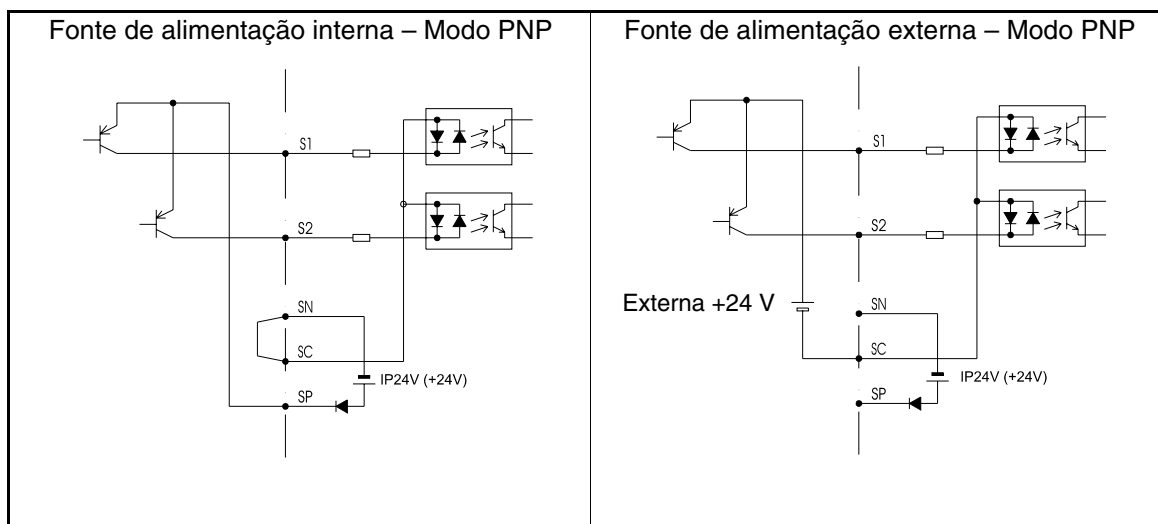


Tabela 3 Modo NPN/PNP e sinais de entrada



◆ Ligar as entradas do circuito principal

Instalar os fusíveis

Para proteger o variador, recomenda-se a utilização de fusíveis de semiconductor iguais aos mostrados na tabela abaixo.

Tabela 4 Selecção do fusível de entrada

Tipo de variador	Saída de corrente nominal do variador (A)	Selecção do fusível			Exemplo de selecção (Ferraz)		
		Tensão (V)	do variador (A)	I^2t (A ² s)	Modelo	Classificação	I^2t (A ² s)
47P5	17	480	30	100~640	A60Q30-2	600 V/30 A	132
4.011	24	480	50	150~1.300	A70P50-4	700 V/50 A	300
4.015	31	480	60	400~1.800	A70P70-4	700 V/70 A	590
4.018	39	480	70	700~4.100	A70P80-4	700 V/80 A	770
4.022	45	480	80	240~5.800	A70P80-4	700 V/80 A	770
4.030	60	480	100	500~5.800	A70P100-4	700 V/100 A	1.200
4.037	75	480	125	750~5.800	A70P125-4	700 V/125 A	1.900
4.045	91	480	150	920~13.000	A70P150-4	700 V/150 A	2.700
4.055	112	480	150	1.500~13.000	A70P200-4	700 V/200 A	4.800

Considere as precauções seguintes para a entrada da fonte de alimentação do circuito principal.

- Se for utilizado um disjuntor em caixa moldada para a ligação da fonte de alimentação (R/L1, S/L2 e T/L3), certifique-se que o disjuntor é o adequado para o variador.
- Se for utilizado um circuito impeditivo de passagem de corrente para o solo, deverá ser capaz de detectar todos os tipos de corrente para garantir uma detecção segura da passagem de corrente para o solo.
- Pode ser utilizado um contactor magnético ou outro dispositivo de comutação na entrada do variador. O variador não deverá efectuar mais de um arranque por hora.
- As fases da entrada (R/S/T) podem ser ligadas por qualquer ordem.
- Se o variador estiver ligado a um transformador de potência de elevada capacidade (600 kW ou mais) ou se for ligado um condensador de avanço de fase nas proximidades, pode ocorrer um excesso de pico de corrente através do circuito de potência de entrada, provocando danos no variador. Como medida preventiva instale uma reactância AC opcional na entrada do variador ou uma reactância DC nos terminais de ligação da reactância DC.
- Utilize um supressor de picos ou diodo nas cargas indutivas próximas do variador. As cargas indutivas incluem contactores magnéticos, relés electromagnéticos, válvulas de solenóide, solenóides e travões magnéticos.

■Ligar a saída ao circuito principal

Considere as precauções seguintes para a ligação do circuito de saída.

- Nunca ligue quaisquer fontes de alimentação aos terminais de saída do variador. Caso contrário, o variador pode ser danificado.
- Nunca efectue um curto-circuito ou uma ligação à terra nos terminais de saída. Caso contrário, o variador pode ser danificado.
- Não utilize condensadores de rectificação de fase. Caso contrário, o variador e os condensadores podem ser danificados.
- Verifique a sequência de controlo para assegurar-se que o contactor magnético (MC) entre o variador e o motor não está ligado ou desligado durante o funcionamento do variador. Se o MC estiver ligado enquanto o variador estiver em funcionamento, será gerada uma corrente de pico elevada e pode entrar em funcionamento a protecção de sobrecorrente do variador.

■Ligação à terra

Considere as precauções seguintes para a ligação à terra.

- Não partilhe a ligação à terra com outros dispositivos, tais como máquinas de soldadura ou ferramentas mecânicas.
- Utilize sempre um fio de terra de acordo com as normas técnicas do equipamento eléctrico e minimize o comprimento do mesmo.
A corrente de fuga é provocada pelo variador. Assim, se a distância entre o eléctrodo de terra e o terminal de terra for demasiado longa, o potencial no terminal de terra do variador será instável.
- Quando for utilizado mais de um variador, não faça uma malha com o fio de terra.

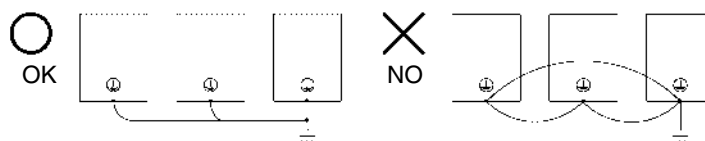


Fig 7 Ligação à terra

■Precauções sobre a ligação do circuito de controlo

Considere as precauções seguintes na ligação dos circuitos de controlo.

- Separe as ligações do circuito de controlo das ligações do circuito principal (terminais R/L1, S/L2, T/L3, B1, B2, ⊖, ⊕1, ⊕2 e ⊕3) e de outras linhas de alta potência.
- Separe as ligações dos terminais do circuito de controlo MA, MB, MC, M1, M2, M3 e M4 (saídas de relé) das ligações a outros terminais do circuito de controlo.
- Se for utilizada uma fonte de alimentação externa opcional, deverá ser uma fonte de alimentação UL de classe 2.
- Utilize condutores de pares entrançados ou condutores de pares entrançados blindados nos circuitos de controlo para evitar falhas na operação.
- Efectue a ligação à terra da blindagem dos cabos maximizando a área de contacto entre a blindagem e a terra.
- Ambas as extremidades da blindagem do cabo têm de ser ligadas à terra.

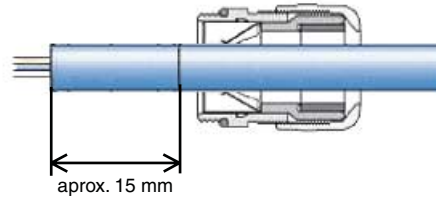
■Instalar os bucins para cabo de alimentação

É necessário ter especial atenção relativamente à ligação dos cabos do motor dos variadores IP54. As capacidades mais pequenas apresentam um bucim para cabo EMC, utilizado para efectuar a ligação à terra da blindagem do cabo do motor com facilidade.

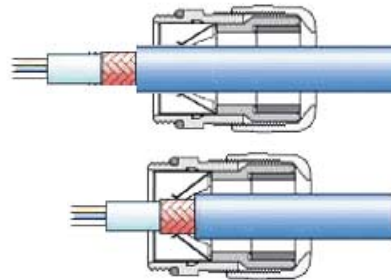
Instalar o bucim para cabo metálico (EMC) para cabos do motor em variadores IP54 de 7,5 a 30 kW:

- Com contactos standard

Efectue um corte circular no revestimento exterior, com o comprimento de aprox. 14 mm a partir da extremidade do revestimento, mas não retire o revestimento. Coloque o cabo através do bucim.



Retire o revestimento exterior cortado, remova parte da blindagem e puxe o cabo para trás até a blindagem ficar correctamente em contacto com as molas do bucim para cabo.



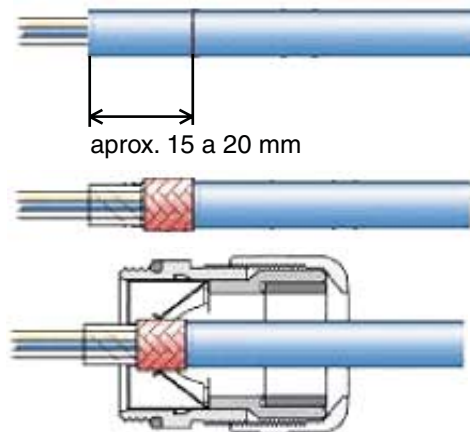
Feche o bucim para cabo.

- Com fios finos e sem revestimento interior:

Efectue um corte circular no revestimento, com o comprimento de aprox. 15 a 20 mm e retire o mesmo.

Puxe para trás a blindagem entrelaçada sobre o revestimento exterior, a blindagem interior deverá ser mantida para uma colocação mais fácil através do bucim.

Coloque o cabo através do bucim até a blindagem ficar correctamente em contacto com as molas do bucim para cabo e feche o bucim para cabo.



Nota: Para garantir conformidade com os regulamentos EMC é necessário que o cabo blindado fique apertado com firmeza com o bucim para cabo metálico. Confirme o comprimento do cabo, bem como as especificações dos terminais antes de ajustar o bucim para cabo metálico.

Considerações especiais para variadores IP54 com capacidade de 22 e 30 kW

Retire a blindagem entrelaçada do cabo de saída completamente desde o orifício de entrada até à extremidade do terminal para evitar curto-circuito nos terminais de entrada ou no filtro.

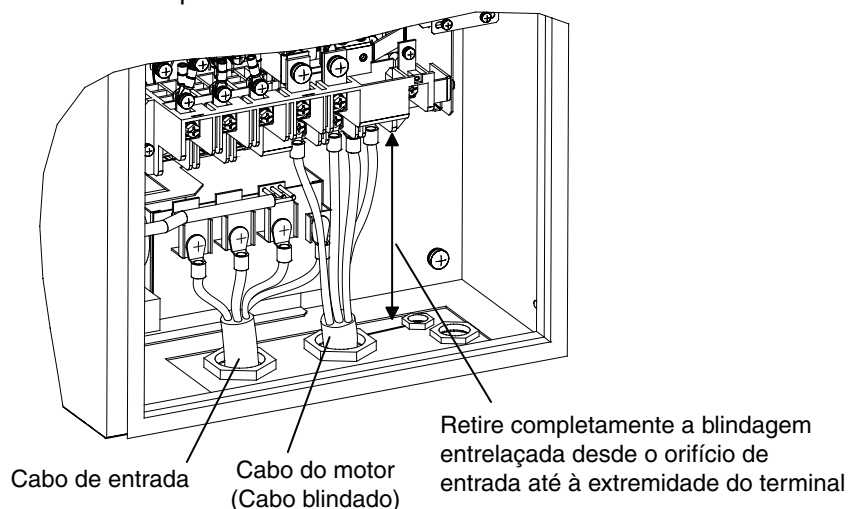


Fig 8 Blindagem de cabos do motor com variadores de 22 e 30 kW

Instalar o cabo do motor com variadores IP54 com capacidade de 37 a 55 kW

Instale o cabo blindado de saída, conforme mostrado na figura abaixo. Retire o revestimento exterior e prenda a blindagem entrelaçada utilizando o grampo de terra.

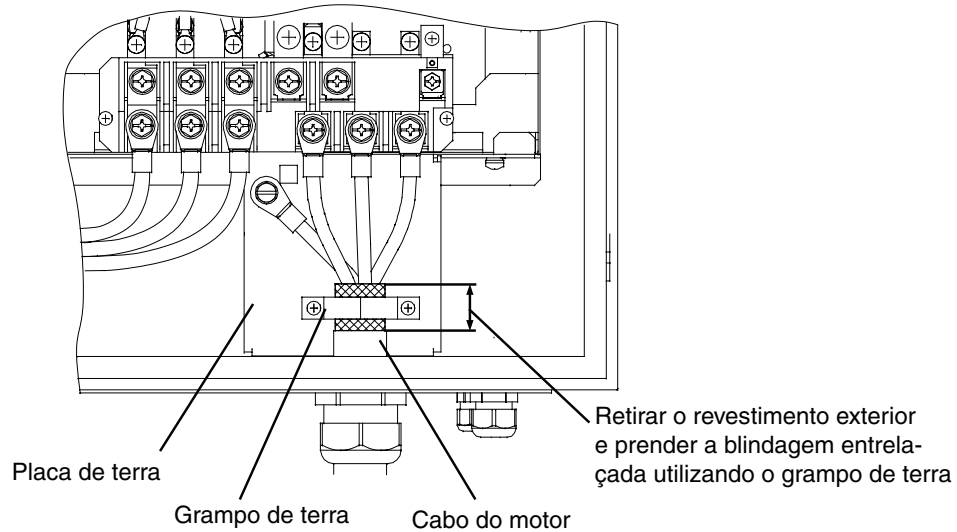


Fig 9 Grampo de terra do motor com variadores de 37 a 55 kW

■Ligar à terra a blindagem do cabo de controlo em variadores IP54

Para uma blindagem adequada foram montados grampos de terra nos variadores IP54. A [Fig 10](#) e a [Fig 11](#) mostram onde é possível encontrar os grampos de terra.

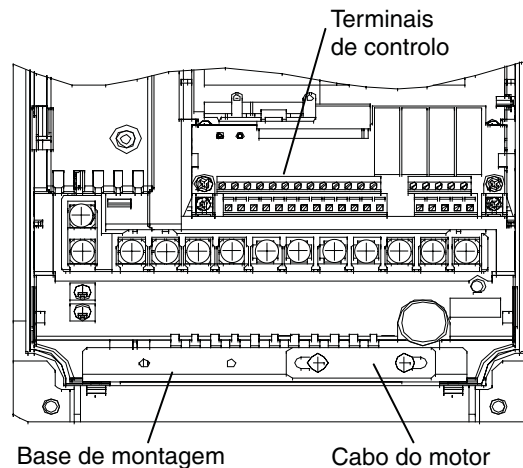


Fig 10 Grampo de terra de variadores IP54 com capacidade de 7,5 a 18,5 kW

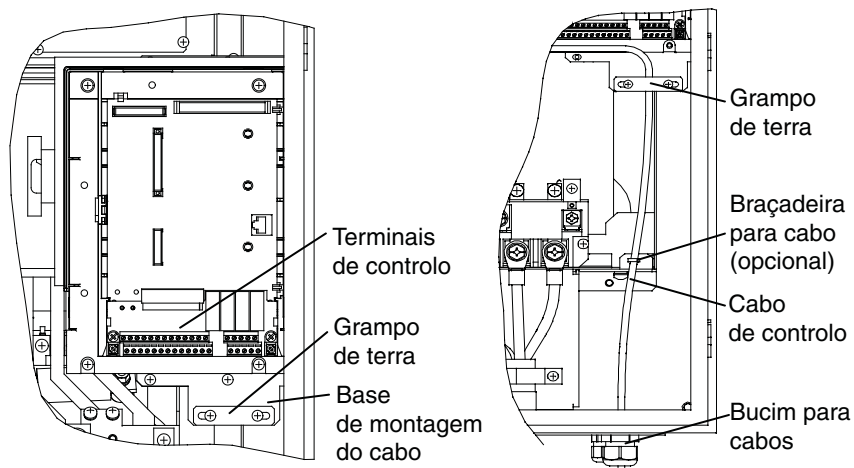
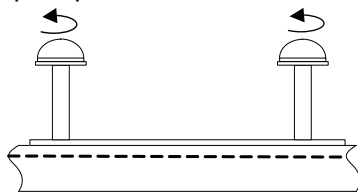
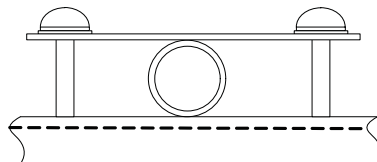


Fig 11 Grampo de terra de variadores IP54 com 22 a 55 kW

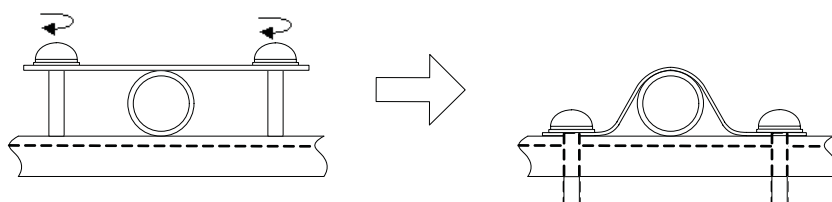
Utilize o seguinte procedimento para prender e blindar os cabos de controlo nos variadores IP54.



Desapertar ambos os parafusos de montagem para o grampo de terra



Inserir o cabo blindado para controlo entre o grampo de terra e a base de montagem do cabo



Aperte os parafusos alternadamente até os parafusos ficarem presos até à extremidade.

Fig 12 Procedimento para ligação à terra da blindagem do cabo de controlo

Funcionamento do teclado numérico

◆ Ecrã da consola digital

Os nomes das teclas e funções da consola digital são descritos abaixo



Indicadores de modo Drive

- FWD: Acende-se com a entrada do comando de arranque de sentido directo.
- REV: Acende-se com a entrada do comando de arranque de sentido inverso.
- SEQ: Acende-se quando o comando run é activado a partir dos terminais do circuito de controlo.
- REF: Acende-se quando é activada a frequência de referência a partir dos terminais A1 e A2 do circuito de controlo.
- ALARM: Acende-se quando ocorre um erro ou alarme.

Ecrã de dados

Visualiza dados de monitorização, números de parâmetro, e ajustes.

Teclas

Executar operações tais como configuração de parâmetros do utilizador, monitorização, regulação ponto a ponto e ajuste automático.

■ Teclas da consola digital

Sequência	Nome	Função
	Tecla LOCAL/REMOTE (LOCAL/REMOTO)	Efectua a comutação de operação através da consola digital (LOCAL) e das definições em b1-01 e b1-02 (REMOTO). Esta tecla pode ser activada ou desactivada através do parâmetro o2-01.
	Tecla MENU	Selecciona os modos.
	Tecla ESC	Retorna ao estado anterior a ter sido premida a tecla DATA/ENTER.
	Tecla JOG	Activa a regulação ponto a ponto quando o variador está a ser controlado a partir da consola digital.
	Tecla FWD/REV	Selecciona a direcção de rotação do motor quando o variador está a ser controlado a partir da consola digital.
	Tecla Shift/RESET	Define o dígito activo durante a programação dos parâmetros do utilizador. Também funciona como tecla de reposição quando ocorre uma falha.
	Tecla de incrementar	Selecciona os números dos parâmetros de utilizador e incrementa as definições dos parâmetros. Utilizado para passar para o item ou dados seguintes.
	Tecla de decrementar	Selecciona os números dos parâmetros de utilizador e decrementa as definições dos parâmetros. Utilizado para passar para o item ou dados anteriores.
	Tecla DATA/ENTER	Entra nos menus e parâmetros e valida as definições dos parâmetros.
	Tecla RUN	Inicia o funcionamento quando o variador está a ser controlado pela consola digital (modo LOCAL).
	Tecla STOP	Pára o variador (modo LOCAL e REMOTO). Esta tecla pode ser activada ou desactivada quando se utiliza uma fonte diferente da consola, definindo o parâmetro o2-02.

Arranque e configuração básica de parâmetros

◆ Procedimento de arranque

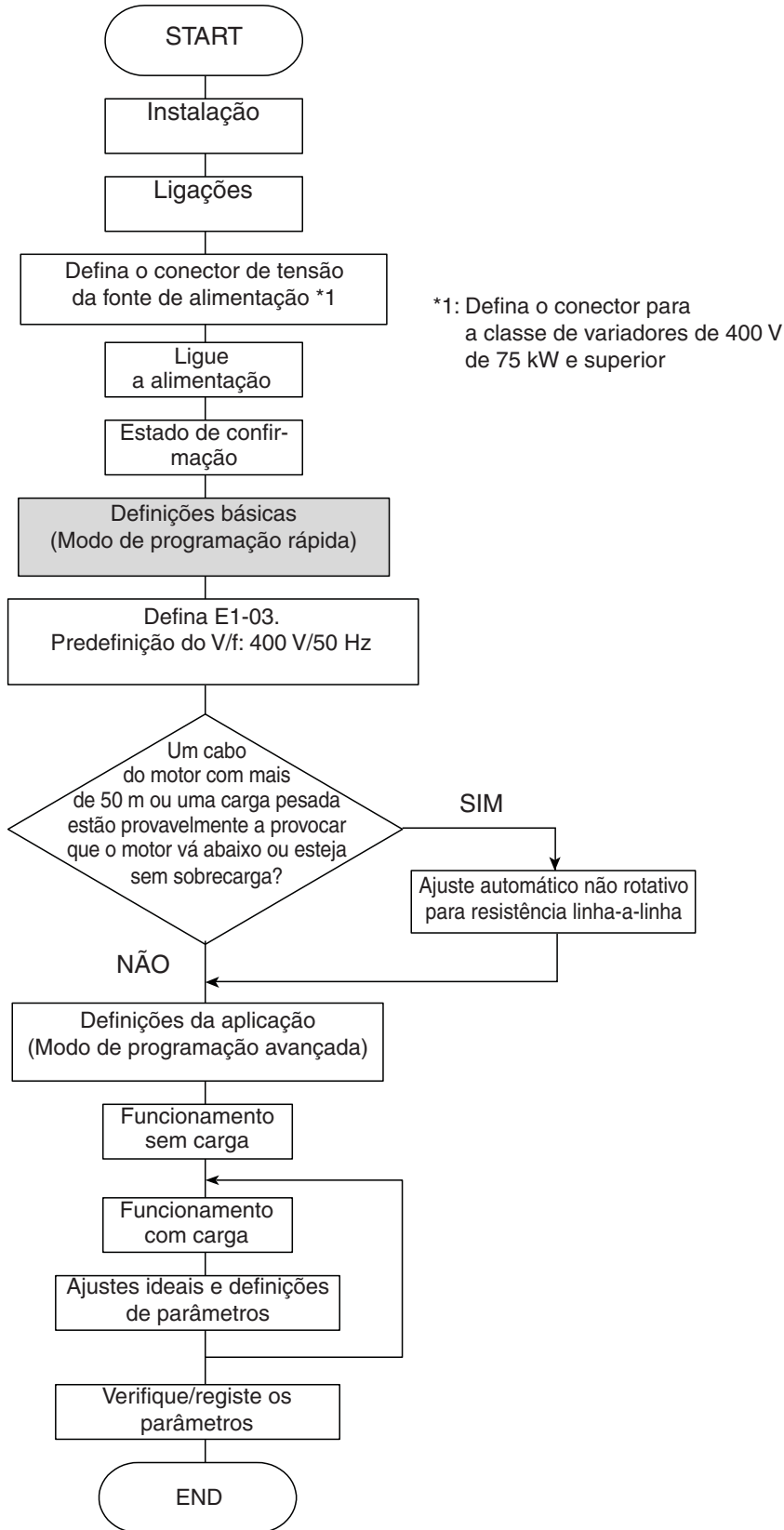


Fig 13 Fluxograma do funcionamento de ensaio

◆ Antes de ligar a alimentação

Deverá verificar minuciosamente os pontos seguintes antes de ligar a alimentação.

- Verifique se a fonte de alimentação está de acordo com as especificações do variador.
- Verifique se os cabos da fonte de alimentação estão ligados aos terminais correctos (L1, L2, L3).
- Verifique se os cabos do motor estão ligados com firmeza aos terminais correctos no variador (U, V, W), assim como no motor.
- Verifique se a unidade de travagem/resistência de frenagem estão devidamente ligados.
- Verifique se o terminal do circuito de controlo do variador e o dispositivo de controlo estão correctamente ligados.
- Configure todos os terminais do circuito de controlo do variador para OFF (desligado).
- Quando for utilizada uma placa PG, verifique se está devidamente ligada.

◆ Ecrã após ligar a alimentação

Após um arranque normal o ecrã do operador apresenta as mensagens seguintes

Ecrã para funcionamento normal

-UNIDADE-	Rdy
Ref. de frequência	
U1-01=	50.00Hz
U1-02=	0.00Hz
U1-03=	0.00A

É possível monitorizar ou definir a frequência de referência quando este indicador está iluminado.

Quando ocorrer uma falha ou estiver um alarme activo, será apresentada a mensagem de falha ou de alarme. Neste caso, consulte [página 23, Resolução de problemas](#).

Ecrã para funcionamento com falha

-UNIDADE-
UV
Perda da potência principal

É apresentada uma mensagem de falha ou de alarme no ecrã. O exemplo apresenta um alarme de baixa tensão.

◆ Ajuste automático para resistência linha-a-linha

O ajuste automático pode ser utilizado para melhorar o desempenho quando são utilizados cabos do motor muito compridos ou quando o motor e o variador têm características de potência diferentes.

Para executar o ajuste automático defina T1-02 (potência nominal do motor) e T1-04 (corrente nominal do motor) e prima a tecla RUN na consola digital. O variador irá fornecer potência ao motor durante aproximadamente 20 segundos e será medida a resistência linha-a-linha (enrolamento estático e resistência do cabo) automaticamente.



IMPORTANT

1. É fornecida potência ao motor durante o ajuste automático, mas o motor não roda. Não toque no motor até terminar o ajuste automático.
2. Certifique-se de que todos os contactores do motor estão fechados antes de se iniciar um ajuste automático.
3. Para cancelar o ajuste automático prima a tecla STOP na consola digital.

■ Outros alarmes e falhas durante o ajuste automático

Para obter uma descrição dos alarmes e falhas possíveis do ajuste automático e acções correctivas consulte [página 25, Falhas do ajuste automático](#).

Parâmetros do utilizador

N.º do parâmetro	Nome	Descrição
Inicializar dados		
A1-00	Seleção do idioma do ecrã da Consola digital (apenas JVOP-160-OY)	0:Inglês 2:Alemão 3:Francês 4:Italiano 5:Espanhol 6:Português
A1-01	Nível de acesso aos parâmetros	0:Apenas monitorização (monitorização do modo de transmissão e definição de A1-01 e A1-04.) 1:Utilizado para seleccionar os parâmetros do utilizador (apenas os parâmetros definidos em A2-01 a A2-32 podem ser lidos e configurados.) 2:Controlo (Os parâmetros podem ser lidos e configurados no modo de programação rápida (Q) e no modo de programação avançada (A).)
A1-03	Inicializar	0: Sem inicialização 1110:É inicializado utilizando os parâmetros do utilizador 2220:É inicializado utilizando uma sequência de dois fios. (É inicializado para as definições de fábrica.) 3330: É inicializado utilizando uma sequência de três fios.
Sequência/Origem da referência		
b1-01	Seleção da origem da referência	Defines o método de entrada da frequência de referência. 0:Consola digital 1:Terminal do circuito de controlo (entrada analógica) 2:Comunicação série (RS422/485) 3:Placa de opção
b1-02	Seleção da origem do comando RUN	Defines o método de entrada do comando run. 0:Consola digital 1:Terminal do circuito de controlo (entradas digitais) 2:Comunicação série (RS422/485) 3:Placa de opção
b1-03	Seleção do método de paragem	Selecciona o método de paragem quando o sinal de run é removido 0:Desaceleração para parar 1:Esperar para parar 2:Injecção de DC para parar 3:Esperar para parar com o temporizador (Os novos comandos Run são ignorados durante a espera.)
b1-04	Proibição de operação inversa	0:Inversão activada 1:Inversão desactivada 2:Rotação da fase de saída (ambas as direcções rotacionais são activadas) 3:Rotação da fase de saída com inversão desactivada.
Pesquisa de velocidade		
b3-01	Seleção da pesquisa de velocidade (detecção de corrente ou cálculo de velocidade)	Activa/desactiva a função de pesquisa de velocidade e define o método de pesquisa de velocidade. 0:Desactivado, cálculo de velocidade 1:Activado, cálculo de velocidade 2:Desactivado, detecção de corrente 3:Activado, detecção de corrente

N.º do parâmetro	Nome	Descrição
b3-14	Seleção da pesquisa de velocidade bi-direccional	Activa ou desactiva as capacidades bi-direccionais da função de pesquisa de velocidade. 0:Desactivada 1:Activada
Controlo de PI		
b5-01	Seleção do modo de controlo de PI	0:Desactivada 1:Activada 3:Controlo de PI activado (referência de frequência + saída de PI)
b5-02	Ganho proporcional (P)	Define o ganho proporcional do controlador do PI. O controlo de P não é executado quando definido para 0.00.
b5-03	Tempo de integração (I)	Define o tempo de integração do controlador do PI. O controlo de I não é executado quando definido para 0,0 seg.
b5-09	Seleção das características de saída do PI	Selecciona a direcção directa/inversa da saída do PI. 0:A saída do PI é directa 1:A saída do PI é inversa.
b5-17	Tempo de aceler./desacel. para referência de PI	Define o tempo de aceler./desaceler. para o arranque discreto do PI (SFS).
b5-18	Seleção do ponto de referência do PI	0:Desactivada 1:Activada
b5-19	Ponto de referência do PI	Valor alvo do PI
b5-31	Seleção de Unidade de PI	Selecciona as unidades para os valores de controlador de PI (b5-19, U1-24, U1-38).
Definições de aceleração/desaceleração		
C1- <input type="checkbox"/>	Tempos de aceleração/desaceleração	Define o tempo para acelerar/desacelerar de 0 Hz até à frequência de saída máxima.
Definições da curva S		
C2- <input type="checkbox"/>	Tempo característico da curva S durante a aceleração	Define a característica da curva S durante o início e o fim da aceleração
Frequência da portadora		
C6-02	Seleção da frequência da portadora	Selecciona a frequência da portadora (a definição de fábrica depende da capacidade do variador) 0: Baixo ruído, portadora baixa 1: 2,0 kHz 2: 5,0 kHz 3: 8,0 kHz 4: 10,0 kHz 5: 12,5 kHz 6: 15,0 kHz F: Padrão programável
Definições da velocidade		
d1-01 a d1-04	Referências multi-velocidade 1 a 4	Define as referências de multi-velocidade.
d1-17	Frequência de referência da regulação ponto a ponto	
Limites de referência		
d2-01	Limite superior da frequência de referência	Define o limite superior da frequência de referência em percentagem da frequência de saída máxima (E1-04)

N.º do parâmetro	Nome	Descrição
d2-02	Limite inferior da frequência de referência	Define o limite inferior da frequência de referência em percentagem da frequência de saída máxima (E1-04)
Definições do padrão V/f		
E1-01	Definição da tensão de entrada	Esta definição é utilizada como valor de referência para as funções de protecção.
E1-04	Frequência de saída máxima (FMAX)	<p>Tensão de saída (V)</p> <p>Para definir as características V/f numa linha recta, defina os mesmos valores para E1-07 e E1-09. Neste caso, a definição do E1-08 será ignorada. Certifique-se que as quatro frequências são sempre definidas na ordem seguinte: E1-04 (FMAX) ≥ E1-06 (FA) > E1-07 (FB) ≥ E1-09 (FMIN)</p>
E1-05	Tensão de saída máx. (VMAX)	
E1-06	Frequência base (FA)	
E1-13	Tensão base (VBASE)	
Definições dos dados do motor		
E2-01	Corrente nominal do motor	Define os dados do motor. Defina os valores correctos se for utilizada a protecção do motor térmico.
E2-03	Corrente sem carga do motor	
E2-05	Resistência linha-a-linha do motor	
Definições da E/S digital		
H1-01 a H1-05	Terminal S3 para selecção da função S7	Consulte página 22, Selecções da função de entrada digital (H1-01 a H1-05) para uma lista das selecções
H2-01 e H2-02	Selecção da função do terminal M1-M2 e M3-M4	Consulte página 22, Selecções da função de saída digital para uma lista das selecções
Definições da E/S analógica		
H3-08	Selecção do nível do sinal A2 de entrada analógica	Selecciona a entrada do nível do sinal na entrada analógica multifunções A2. 0:0 a +10 V (11 bits). 2:4 a 20 mA (entrada de 9 bits). 3:0 a 20 mA (entrada de 9 bits) Certifique-se de comutar o interruptor S1-2 para "V" antes de utilizar a entrada de tensão.
H3-09	Selecção da função da entrada analógica A2.	Selecciona a função da entrada analógica multifunções para o terminal A2.
H3-13	Comutação do terminal A1/A2	Selecciona qual o terminal onde pode ser ligada a frequência de referência principal. 0:Utilize a entrada analógica 1 no terminal A1 para a frequência de referência principal. 1:Utilize a entrada analógica 2 no terminal A2 para a frequência de referência principal.

N.º do parâmetro	Nome	Descrição
H4-01	Selecção do monitor FM do terminal	Define o número do item de monitor a ser enviado (U1-□□) para o terminal FM/AM.
H4-04	Selecção do monitor AM do terminal	
H4-05	Ganho do terminal AM	Define o ganho de saída analógico do terminal AM. Define a percentagem do valor do monitor que corresponde a 10 V de saída no terminal AM.
Protecção do motor		
L1-01	Selecção da protecção do motor	0:Desactivada 1: Protecção do motor de utilização genérica (motor arrefecido por ventoinha) 2: Protecção do motor do variador (motor arrefecido externamente) 3: Protecção do motor vectorial Quando a fonte de alimentação do variador é desligada, o valor térmico é repostado, pelo que mesmo esteja activado, a protecção pode não ser efectiva.
Perda de passagem de energia		
L2-01	Detecção de perda momentânea de passagem de energia	0:Desactivado (Detecção de de subtensão (UV1) de bus CC) 1: Activado (reiniciado quando a alimentação é restabelecida dentro do intervalo de tempo definido em L2-02. Quando L2-02 é excedido, é detectada uma subtensão no bus DC.) 2: Activado enquanto a CPU estiver em funcionamento. (Reiniciado quando a alimentação é retomada durante as operações de controlo. Não detecta subtensão do bus DC.)
Prevenção de bloqueio		
L3-01	Nível de prevenção contra bloqueio durante a aceleração	0:Desactivado (Aceleração definida. Com uma carga pesada, o motor pode bloquear.) 1: Activado (Aceleração parada quando o nível L3-02 é excedido. A aceleração inicia-se novamente quando a corrente cai abaixo do nível de prevenção de bloqueio). 2: Modo de aceleração inteligente (utilizando o nível L3-02 como base, a aceleração é ajustada automaticamente. O tempo de aceleração definido é ignorado.)
L3-02	Nível de prevenção contra bloqueio durante a aceleração	Efectivo quando L3-01 está definido para 1 ou 2. Definido como uma percentagem da corrente nominal do variador.

N.º do parâmetro	Nome	Descrição
L3-04	Nível de prevenção contra bloqueio durante a desaceleração	0:Desactivado (Desaceleração definida. Se o tempo de desaceleração for demasiado curto, poderá ocorrer uma sobretensão no bus CC.) 1:Activado (A desaceleração é parada quando a tensão do bus CC excede o nível de prevenção de bloqueio. A desaceleração é reiniciada quando a tensão cai novamente abaixo do nível de prevenção de bloqueio.) 2:Modo de desaceleração inteligente (a taxa de desaceleração é ajustada automaticamente por forma que o variador possa desacelerar no mais curto intervalo de tempo. O tempo de desaceleração definido é ignorado.) Quando é utilizada uma opção de travagem (unidade de travagem), defina-o sempre a 0.
L3-05	Nível de prevenção contra bloqueio durante a operação	0:Desactivado (Operação definida. Com uma carga pesada, o motor pode bloquear.) 1:Desaceleração utilizando o tempo de desaceleração 1 (C1-02.) 2:Desaceleração utilizando o tempo de desaceleração 2 (C1-04.)
L3-06	Nível de prevenção contra paragem durante a operação	Efectivo quando L3-05 está definido para 1 ou 2. Definido como uma percentagem da corrente nominal do variador.
Reinício devido a falha		
L5-01	Número de tentativas de reinício automático	Define o número de tentativas de reinício automático. É reiniciado automaticamente após uma falha e executa uma pesquisa de velocidade na frequência de operação.
L5-02	Seleção da operação de reinício automático	Define se é activado um relé de falha durante o reinício devido a falha. 0:Sem saída (o relé de falha não é activado.) 1:Saída (o relé de saída é activado.)
Deteção de carga		
L6-01	Seleção da detecção de carga	0:Deteção de carga desactivada. 1:Deteção de sobrecarga apenas na velocidade negociada; a operação continua (alarme). 2:Deteção de sobrecarga contínua durante a operação; a operação continua (alarme). 3:Deteção de sobrecarga apenas na velocidade negociada; esperar para parar (falha). 4:Deteção de sobrecarga contínua durante a operação; esperar para parar (falha). 5:Deteção de perda de carga apenas na velocidade negociada; a operação continua (alarme). 6:Deteção de perda de carga contínua durante a operação; a operação continua (alarme). 7:Deteção de perda de carga apenas na velocidade negociada; esperar para parar (falha). 8:Deteção de perda de carga contínua durante a operação; esperar para parar (falha).

N.º do parâmetro	Nome	Descrição
L6-02	Nível de detecção da carga	A corrente nominal do variador é definida para 100%.
L6-03	Tempo de detecção de carga	Define o tempo de detecção da sobrecarga/perda de carga.
Dados do monitor		
U1-01	Frequência de referência em Hz/rpm	
U1-02	Frequência de saída em Hz/rpm	
U1-03	Corrente de saída em A	
U1-06	Tensão de saída em VAC	
U1-07	Tensão no bus DC em VDC	
U1-08	Potência de saída em kW	
U1-10	Estado do terminal de entrada	Apresenta o estado ON/OFF da entrada U1-10= / / / / / / / / 1: Comando FWD (S1) está ON 1: Comando REV (S2) está ON 1: Entrada múltipla 1 (S3) está ON 1: Entrada múltipla 2 (S4) está ON 1: Entrada múltipla 3 (S5) está ON 1: Entrada múltipla 4 (S6) está ON 1: Entrada múltipla 5 (S7) está ON
U1-11	Estado do terminal de saída	Apresenta o estado ON/OFF da saída U1-11= / / / / / / / / 1: Entradas de contactos saída de contacto 1 (M1-M2) está ON 1: Entradas de contactos saída de contacto 2 (M3-M4) está ON 1: Entradas de contactos saída de contacto 3 (M5-M6) está ON Não utilizado (Sempre 0). 1: Saída de erro
U1-12	Estado da operação	Estado de funcionamento do variador. U1-12= / / / / / / / / Run 1: Velocidade zero 1: Funcionamento 1: Sinal inverso entrada 1: Acordo de velocidade 1: Variador preparado 1: Falha menor 1: Falha grave
U1-13	Tempo de operação cumulativo em horas.	
U1-24	Valor de realimentação do PI em %	
U1-29	Visor de energia cumulativo 1 em kWh	
U1-30	Visor de energia cumulativo 2 em MWh	
U1-34	Parâmetro de falha OPE	
U1-36	Volume de entrada do PI em %	
U1-37	Volume de saída do PI em %	
U1-38	Volume do valor de referência do PI em %	
U1-40	Tempo de operação do ventilador de arrefecimento em horas.	
U1-53	Valor de realimentação do PI 2 em %	

N.º do parâmetro	Nome	Descrição
Dados de rastreio da falha		
U2-01	Falha de corrente	
U2-02	Última falha	
U2-03	Frequência de referência na falha	
U2-04	Frequência de saída na falha	
U2-05	Corrente de saída na falha	
U2-07	Referência da tensão de saída na falha	
U2-08	Tensão do bus DC na falha	
U2-09	Potência de saída na falha	
U2-11	Estado do terminal de entrada na falha	
U2-12	Estado do terminal de saída na falha	
U2-13	Estado da operação na falha	
U2-14	Tempo de operação cumulativo na falha	
Dados de histórico de falhas		
U3-01 a U3-04	Última falha a quarta última falha	
U3-05 a U3-08	Tempo de operação cumulativo na falha 1 a 4	
U3-09 a U3-14	Quinta falha a décima última falha	
U3-15 a U3-20	Tempo acumulado da quinta à décima falha	
* As falhas seguintes não são registadas no registo de erro: CPF00, 01, 02, 03, UV1 e UV2.		

Configuração	Descrição
Seleções da função de entrada digital (H1-01 a H1-05)	
3	Velocidade de referência multi-passo 1
4	Velocidade de referência multi-passo 2
6	Comando da frequência de regulação ponto a ponto (prioridade mais elevada que a velocidade de referência multi-passo)
F	Não utilizado (definido quando não é utilizado um terminal)
14	Reposição da falha (reposto quando ligado)
19	Controlo de PI desactivado
20 a 2F	Falha externa; Modo de entrada: Contacto NA/contacto NF, Modo de detecção: Normal/durante o funcionamento
Seleções da função de saída digital (H2-01 e H2-02)	
0	Durante a execução 1 (ON: o comando run está ON ou está a ser efectuada saída de tensão)
6	Operação do variador preparada; PRONTA: Após inicialização ou sem falhas
F	Não utilizado. (Definido quando não é utilizado o terminal.)

Resolução de problemas

As falhas e alarmes indicam condições do variador/aplicação fora do normal.

Um alarme não desliga necessariamente o variador, mas é apresentada uma mensagem no teclado numérico (por exemplo um código de alarme intermitente) e pode ser gerada uma saída de alarme nas saídas multifunções (H2-01 e H2-02), se programado. Um alarme desaparece automaticamente se a condição que o gerou já não se verificar.

Uma falha desliga imediatamente a saída do variador, é apresentada uma mensagem no teclado numérico e a saída de falha é comutada. A falha tem de ser reposta manualmente após remoção da causa e do sinal RUN que a originou.

A tabela seguinte mostra uma lista de falhas e alarmes juntamente com as respectivas acções correctivas.

Tabela 5 Lista de alarmes e falhas

Ecrã	Alarme	Falha	Significado	Acções correctivas
BUS Err com opc		○	Alarme de comunicações da placa opcional Após ter sido estabelecida a comunicação inicial, a ligação foi perdida.	Verifique as ligações e todas as configurações de utilizador no software.
CPF00 COM- ERR(OP&INV)		○	Falha de comunicação da consola digital 1/2 • Falha de comunicação entre a consola e o variador • Falha na RAM externa da CPU	<ul style="list-style-type: none"> Desligue a consola digital e ligue-a novamente. Efectue um ciclo de funcionamento da fonte de alimentação do variador. Substitua o variador.
CPF01 COM- ERR(OP&INV)				
CPF0x		○	Falha CPF02, CPF03, CPF04 • Erro do circuito base block • Erro da EEPROM • Falha no conversor A/D interno da CPU	<ul style="list-style-type: none"> Reponha os valores de fábrica. Efectue um ciclo de funcionamento da fonte de alimentação do variador. Substitua o variador.
EF Falha externa	○		Entrada simultânea dos comandos de funcionamento directo/inverso Os comandos de funcionamento directo e inverso são introduzidos simultaneamente durante 500 ms ou mais. Este alarme pára o motor.	Verifique a lógica de sequência externa, por forma a ser activada apenas uma entrada de cada vez.
EF0 Falha externa opc.		○	Entrada de falha externa da placa de opção de comunicações	<ul style="list-style-type: none"> Verifique se existe uma condição de falha externa. Verifique os parâmetros. Verifique os sinais de comunicação
EFx Falha ext Sx	○	○	Falha externa no terminal Sx (x refere-se aos terminais S3 a S7)	Elimine a causa da condição de falha externa.
Ext Run activo Reposição impossível	○		Detectado após uma falha quando foi introduzido um comando RESET, enquanto o comando RUN ainda está activo.	Remova em primeiro lugar o sinal RUN e tente novamente a reposição da falha.
GF Falha da terra		○	Falha da terra A corrente de terra na saída do variador excedeu 50% da corrente de saída nominal do variador e L8-09 = 1 (activo).	<ul style="list-style-type: none"> Remova o motor e coloque o variador em funcionamento sem motor. Verifique a existência de um curto-circuito entre a fase e a terra. Verifique a corrente de saída com um medidor de grampos para verificar a leitura DCCT. Verifique a sequência de controlo por sinais do contactor do motor errados.
LL3 Perda de carga Det	○	○	Perda de carga Foi detectada uma perda de carga do motor de acordo com as definições de L6-01 a L6-03.	<ul style="list-style-type: none"> Certifique-se de que as definições de L6-02 e L6-03 são as apropriadas. Verifique o sistema mecânico (ligação mecânica da carga, por exemplo o transportador).
OC Sobrecorrente		○	Sobrecorrente A corrente de saída do variador excedeu o nível de detecção da sobrecorrente.	<ul style="list-style-type: none"> Remova o motor e coloque o variador em funcionamento sem motor. Verifique a existência de um curto-circuito fase-a-fase no motor. Verifique os tempos de aceler./desacel. (C1-□□). Verifique a existência de um curto-circuito fase-a-fase na saída do variador.
OH Sobreaqueciment o do dissipador		○	Sobreaquecimento do dissipador L8-03 = 0,1 ou 2 e a temperatura do ventilador de arrefecimento do variador excedeu o valor L8-02. A ventoinha de arrefecimento do variador parou	<ul style="list-style-type: none"> Verifique se há acumulação de poeiras nos ventiladores ou no dissipador. Reduza a temperatura ambiente em torno da transmissão. Substitua a(s) ventoinha(s) de arrefecimento.
		○	L8-03 = 3 ou 4 e a temperatura do ventilador de arrefecimento do variador excedeu o valor L8-02.	

Ecrã	Alarme	Falha	Significado	Acções correctivas
OH1 Temp MÁX do dissipador		○	Sobreaquecimento do dissipador A temperatura do dissipador do variador excedeu os 105°C. A ventoinha de arrefecimento do variador parou	<ul style="list-style-type: none"> Verifique se há acumulação de poeiras nos ventiladores ou no dissipador. Reduza a temperatura ambiente em torno da transmissão. Substitua a(s) ventoinha(s) de arrefecimento.
OL1 Sobrecarga do motor		○	Sobrecarga do motor Detectado quando o L1-01 é configurado para 1, 2 ou 3 e o valor I ² t do variador excedeu a curva de sobrecarga do motor. A curva de sobrecarga é regulável utilizando o parâmetro E2-01 (Corrente nominal do motor), L1-01 (Seleção da protecção do motor) e L2-02 (Constante do tempo de protecção do motor)	<ul style="list-style-type: none"> Verifique novamente o tempo do ciclo e o tamanho da carga, assim como os tempos de aceler./desacel. (C1-□□). Verifique as características de V/f (E1-□□). Verifique a configuração da definição da corrente nominal do motor (E2-01).
OL2 Inv Overload		○	Sobrecarga do variador A corrente de saída do variador excedeu a capacidade de sobrecarga do variador.	<ul style="list-style-type: none"> Verifique novamente o tempo de ciclo e o tamanho de carga, assim como os tempos de aceler./desacel. (C1-□□). Verifique as características de V/f (E1-□□). Verifique se a corrente nominal do variador corresponde à corrente nominal do motor.
OV Sobretensão do bus CC	○ (apenas em condição de paragem)	○	A tensão do bus DC excedeu o nível de detecção de sobretensão. Os níveis de detecção predefinidos são: Classe de 200 V: 410 VDC Classe de 400 V: 820 VDC	<ul style="list-style-type: none"> Aumente o tempo de desaceleração (C1-02/04) ou ligue uma opção de travagem. Verifique a fonte de alimentação e diminua a tensão para valores de acordo com as especificações do variador. Verifique o relé/resistência de frenagem.
PF Perda de fase na entrada		○	Perda de fase na entrada Ondulação da tensão no bus DC demasiado elevada Detectável apenas quando L8-05=1 (activado)	<ul style="list-style-type: none"> Aperte os parafusos do terminal de entrada Verifique a tensão da fonte de alimentação
PUF Aberto o fusível do bus DC		○	Aberto o fusível do bus DC O fusível do circuito principal está rebentado. Aviso: Nunca coloque em funcionamento o variador após substituir o fusível do bus DC sem verificar se existem componentes em curto-circuito.	<ul style="list-style-type: none"> Verifique o motor e os cabos do motor por curto-circuitos ou falhas no isolamento (fase a fase). Substitua o variador após corrigir a falha.
UV1 Subtensão do bus CC	○ (apenas em condição de paragem)	○	A tensão do bus DC está abaixo do nível de detecção de subtensão. (L2-05). As definições predefinidas são: Classe de 200 V: 190 VDC Classe de 400 V: 380 VDC Falha de operação MC no circuito principal Sem resposta MC durante a operação do variador.	<ul style="list-style-type: none"> Verifique a tensão de entrada. Verifique as ligações dos terminais de entrada. Verifique a tensão de entrada e as ligações dos terminais de entrada. Expanda as definições em C1-01/03
UV2 CTL PS Undervolt		○	Subtensão da fonte de alimentação de controlo Subtensão do circuito de controlo quando o variador estava em execução.	<ul style="list-style-type: none"> Remova todas as ligações aos terminais de controlo e efectue um ciclo de alimentação no variador. Substitua o variador.

◆ Erros de programação do operador

Um erro de programação do operador (OPE) ocorre quando dois ou mais parâmetros relacionados entre si são definidos de forma inadequada ou a definição de um parâmetro é incorrecta. O variador não funciona até a definição do parâmetro ser definida correctamente; no entanto, não irão ocorrer saídas de alarmes ou de falhas adicionais. Se ocorrer um OPE, altere o parâmetro relevante verificando a causa apresentada na tabela abaixo. Quando for apresentado um erro OPE, prima a tecla ENTER para ver U1-34 (detectado um OPE). Este monitor apresenta o parâmetro que causou o erro OPE.

Tabela 6 Lista de erros de programação do operador

Ecrã	Significado	Acções correctivas
OPE01 Seleção de kVA	Erro na definição de kVA do variador	Introduza a definição de kVA correcta em o2-04.
OPE02 Limite	A definição do parâmetro está fora do intervalo	Verifique as definições do parâmetro.

Ecrã	Significado	Acções correctivas
OPE03 Terminal	<p>Erro na selecção da entrada multi-funções</p> <p>Um dos seguintes erros foi cometido nas definições da entrada multifunções (H1-01 a H1-05):</p> <ul style="list-style-type: none"> • As funções foram seleccionadas em duplicado. • Os comandos UP/DOWN (definição 10 e 11) não foram definidos simultaneamente. • Os comandos UP/DOWN (10 e 11) e retenção da rampa de aceler./desaceler. (A) foram definidas ao mesmo tempo. • Mais de uma entrada da pesquisa de velocidade (61, 62, 64) foram definidas simultaneamente. • Foram definidas, ao mesmo tempo, o base block externo NA (8) e o base block externo NF (9). 	Verifique as definições de parâmetro em H1-□□
OPE03 Terminal	<ul style="list-style-type: none"> • Os comandos UP/DOWN (10 e 11) foram seleccionados enquanto o controlo do PI (b5-01) estava activado. • O comando de paragem de emergência NA e NF foram definidos simultaneamente. • O pré-aquecimento do motor (60) e o pré-aquecimento do motor 2 (80) foram definidos simultaneamente. • A correcção de emergência FWD (81) e a correcção de emergência REV (82) foram definidas simultaneamente. 	Verifique as definições de parâmetro em H1-□□
OPE05 Seleção de sequência	<p>Erro na selecção do comando de referência/RUN</p> <p>A selecção da fonte de referência b1-01 e/ou a selecção da fonte do RUN b1-02 estão definidas para 3 (placa de opção), mas não foi instalada nenhuma placa de opção.</p>	<ul style="list-style-type: none"> • Verifique que a placa está instalada. Remova a fonte de alimentação e instale novamente a placa de opção • Volte a verificar a definição de b1-01 e b1-02.
OPE09 Seleção de PI	<p>Erro de configuração do controlo do PI</p> <p>As definições seguintes foram efectuadas simultaneamente.</p> <ul style="list-style-type: none"> • b5-01 (selecção do modo de controlo do PI) foi definido para um valor diferente de 0. • b5-15 (nível de operação da função de repouso do PI) foi definido para um valor diferente de 0. • b1-03 (selecção do método de paragem) foi definido para 2 ou 3. 	Verifique as definições dos parâmetros b5-01, b5-15 e b1-03.
OPE10 Definição parâ. V/f	Erro na definição do parâmetro V/f	Verifique os parâmetros (E1-□□). Um valor de frequência/tensão pode ser definido para um valor superior à frequência/tensão máxima.

◆ Falhas do ajuste automático

As falhas do ajuste automático são mostradas abaixo. Quando são detectadas as falhas seguintes a falha é apresentada na consola digital e o motor pára. Não serão geradas saídas de falha ou de alarme.

Tabela 7 Lista de falhas do ajuste automático

Ecrã	Significado	Acções correctivas
Er - 01 Falha	Falha nos dados do motor	<ul style="list-style-type: none"> • Verifique os dados de entrada. • Verifique a capacidade do motor e do variador. • Verifique a definição da corrente nominal do motor.
Er - 02 Falha menor	Alarme	<ul style="list-style-type: none"> • Verifique os dados de entrada. • Verifique a ligação e a máquina. • Verifique a carga.
Er - 03 Tecla STOP	Entrada da tecla STOP	-
Er - 04 Resistência	<p>Falha da resistência linha-a-linha</p> <ul style="list-style-type: none"> • O ajuste automático não pôde ser executado no tempo especificado • O resultado do ajuste automático está fora do intervalo de definição do parâmetro 	<ul style="list-style-type: none"> • Verifique os dados de entrada. • Verifique a ligação do motor.
Fim - 3 Alarme FLA nominal	<p>Alarme de definição da corrente nominal</p> <p>Apresentado após a conclusão do ajuste automático</p> <p>Durante o ajuste automático, o valor medido da corrente nominal do motor (E2-01) foi superior ao valor definido.</p>	Verifique o valor da corrente nominal do motor.

Инструкция по быстрому запуску E7Z

Содержание

Предупреждения	RU-2
◆ Правила безопасности и указания по эксплуатации	RU-3
◆ Электромагнитная совместимость (ЭМС)	RU-4
Монтаж	RU-5
◆ Механический монтаж	RU-5
◆ Подключение электрических цепей	RU-7
◆ Клеммы силовых цепей	RU-8
◆ Подключение входных силовых цепей	RU-11
Управление с клавиатуры	RU-16
◆ Цифровая панель управления с ЖК-дисплеем	RU-16
Включение питания и настройка основных параметров	RU-17
◆ Процедура запуска	RU-17
◆ Действия перед включением питания	RU-18
◆ Состояние дисплея после включения питания	RU-18
◆ Автонастройка для определения межфазного сопротивления	RU-18
Параметры пользователя	RU-19
Поиск и устранение неисправностей	RU-23
◆ Ошибки программирования	RU-24
◆ Ошибки автонастройки	RU-25

Предупреждения



ВНИМАНИЕ

Запрещается подсоединять или отсоединять кабели, а также проводить сигнальные тесты при включенном питании.

Конденсатор шины постоянного тока инвертора Varispeed E7 остается заряженным даже после отключения питания. Во избежание поражения электрическим током, прежде чем приступить к техническому обслуживанию, отсоедините преобразователь частоты от сети и подождите не менее 5 минут после того, как погаснут все светодиоды. Не проводите испытания электрической прочности изоляции любой части инвертора Varispeed. Инвертор содержит полупроводниковые элементы, не рассчитанные на такие высокие напряжения.

Не снимайте цифровую панель управления, когда преобразователь частоты подключен к сети питания. Также не касайтесь печатных плат, когда на инвертор подано напряжение питания.

Ни в коем случае не подключайте ко входу или выходу инвертора стандартные LC/RC-фильтры подавления помех, конденсаторы или устройства защиты от превышения напряжения.

Во избежание нежелательной индикации перегрузки по току и прочих ошибок сигнальные контакты любого контактора или переключателя, установленного между инвертором и двигателем, должны быть включены в схему управления инвертором (например, в схему управления блокированием выхода).

Чрезвычайно важно!

Перед подключением и эксплуатацией инвертора следует внимательно прочитать настоящее руководство. Необходимо соблюдать все правила безопасности и указания по эксплуатации.

Инвертор должен использоваться с соответствующими сетевыми фильтрами и с соблюдением указаний по монтажу, содержащихся в настоящем руководстве. Все крышки должны быть установлены на свои места, все клеммы должны быть закрыты. Только в этом случае обеспечивается надлежащая защита.

Не подсоединяйте и не используйте какое-либо оборудование, имеющее явные признаки повреждения или отсутствия деталей. За все случаи получения травм персоналом или случаи повреждения оборудования, причиной которых явилось несоблюдение предупреждений, содержащихся в настоящем руководстве, несет ответственность организация, эксплуатирующая оборудование.

◆ Правила безопасности и указания по эксплуатации

■ Общие сведения

Прежде чем приступать к монтажу и работе с инвертором, внимательно ознакомьтесь с настоящими правилами безопасности и указаниями по эксплуатации. Также прочитайте все предупреждающие надписи на инверторе и позаботьтесь о том, чтобы они не были повреждены или удалены.

Некоторые находящиеся под напряжением или нагревающиеся элементы и части инвертора могут быть доступны во время работы. В случае неправильного монтажа или нарушения правил эксплуатации работа при снятых частях корпуса, снятой цифровой панели управления, снятых крышках клемм или открытой дверце инвертора может стать причиной тяжелой травмы или материального ущерба. Также следует иметь в виду, что преобразователи частоты (инверторы) управляют вращающимися частями механического оборудования, что связано с дополнительными опасностями.

Необходимо следовать указаниям, приведенным в настоящем руководстве. Монтаж, эксплуатация и техническое обслуживание могут проводиться только квалифицированным персоналом. В настоящих правилах безопасности под квалифицированным персоналом понимаются лица, обладающие навыками монтажа, ввода в эксплуатацию, эксплуатации и технического обслуживания преобразователей частоты и имеющие соответствующую квалификацию для выполнения таких работ. Безопасная эксплуатация настоящих устройств возможна только в случае их надлежащего использования и только для целей, для которых они предназначены.

На конденсаторах шины постоянного тока может сохраняться остаточное напряжение в течение 5 минут после отключения инвертора от сети. Поэтому необходимо подождать указанное время, прежде чем открывать крышки. На всех клеммах силовых цепей могут еще сохраняться опасные напряжения.

Доступ к инверторам детей и прочих лиц, не имеющих специального допуска, должен быть запрещен.

Настоящие правила безопасности и указания по эксплуатации должны быть легко доступны и выданы в надлежащем количестве всем лицам, имеющим, в той или иной степени, доступ к инверторам.

■ Надлежащее использование

Преобразователи частоты (инверторы) предназначены для монтажа в электрических системах или установках.

Монтаж инверторов в установках и системах должен соответствовать следующим стандартам, указанным в Директиве по низковольтному оборудованию:

EN 50178, 1997-10. Электронное оборудование, используемое в силовых электрических системах.

EN 60204-1, 1997-12. Безопасность машин. Электрооборудование машин.
Часть 1: Общие требования (IEC 60204-1:1997)/
Замечание: включает список опечаток (сентябрь 1998).

EN 61010-1, A2, 1995. Оборудование информационных технологий. Требования к безопасности.
(IEC 950, 1991 + A1, 1992 + A2, 1993 + A3, 1995 + A4, 1996, с изменениями)

При использовании сетевых фильтров, указанных в настоящем руководстве, и при соблюдении соответствующих указаний по монтажу, на изделие наносится маркировка CE согласно стандарту EN 50178.

■ Транспортировка и хранение

Должны соблюдаться указания по транспортировке, хранению и надлежащему обращению с изделием в соответствии с техническими характеристиками.

■ Монтаж

Производите монтаж и охлаждение инверторов в соответствии с документацией. Охлаждающий воздух должен циркулировать в указанном направлении. В связи с этим инвертор при работе должен занимать только определенное положение (например, вертикальное). Предусмотрите все указанные зазоры и воздушные промежутки. Защищайте инвертор от недопустимых нагрузок. Не допускайте изгибания частей инвертора и изменения изолирующих промежутков. Во избежание повреждения инвертора в результате действия статического электричества не прикасайтесь к каким-либо электронным элементам или контактам.

■ Подключение электрических цепей

Любые работы с оборудованием, находящимся под напряжением, должны проводиться с соблюдением правил техники безопасности, действующих в стране пользователя. Электрический монтаж должен производиться в соответствии с надлежащими нормами и правилами. В частности, для обеспечения электромагнитной совместимости (ЭМС) необходимо выполнять указания по монтажу, касающиеся экранирования, заземления и прокладки кабелей. Это также относится и к оборудованию с маркировкой CE. За соблюдение требований ЭМС отвечает изготовитель системы или установки.

Если совместно с преобразователями частоты используются автоматические выключатели, срабатывающие при повышенном токе утечки, проконсультируйтесь с поставщиком или представителем Omron Yaskawa Motion Control.

В некоторых системах для соблюдения соответствующих норм и правил техники безопасности может потребоваться применение дополнительных средств контроля и защиты. Конструкция преобразователя частоты при этом не должна подвергаться изменению.

■ Примечания

Преобразователи частоты Varispeed E7 IP54 имеют сертификат CE.

◆ Электромагнитная совместимость (ЭМС)

■ Введение

Настоящее руководство было разработано с целью оказания помощи в проектировании и монтаже электрических распределительных устройств производителям систем, использующим преобразователи частоты OMRON YASKAWA Motion Control (OYMC). В нем также описаны меры по обеспечению соблюдения Директивы по ЭМС. Таким образом, необходимо соблюдать указания по монтажу и подключению электрических цепей, содержащиеся в настоящем руководстве.

Наши изделия прошли испытания в аккредитованных организациях с использованием перечисленных ниже стандартов.

Стандарт на продукцию: EN 61800-3:1996, EN 61800-3; A11:2000

■ Меры по обеспечению соответствия преобразователей частоты OYMC Директиве по ЭМС.

Преобразователи частоты OYMC не обязательно устанавливать в шкаф.

Предоставить подробные указания для всех возможных способов монтажа затруднительно. Поэтому настоящее руководство содержит только общие указания.

Любое электрооборудование является источником радиоизлучений и сетевых помех с различными частотами. Эти помехи проникают в окружающее оборудование по кабелям, играющим роль антенн.

Подключение единицы электрооборудования (например, привода) к питающей сети без применения сетевого фильтра может привести к проникновению в электросеть высокочастотных или низкочастотных помех (сетевой фильтр встроен в инвертор).

Основными мерами по обеспечению электромагнитной совместимости являются развязка цепей управления и элементов силовых цепей, надлежащее заземление и экранирование кабелей.

Чтобы обеспечить низкое сопротивление цепи заземления для высокочастотных помех, необходима большая площадь электрического контакта. Поэтому для цепей заземления вместо проводов рекомендуется использовать плоские проводники.

Кроме того, должен быть обеспечен электрический контакт между экранами кабелей и специальными заземляющими скобами (зажимами).

■ Прокладка кабелей

Меры противодействия сетевым помехам

Инвертор Varispeed E7 IP54 оборудован встроенным фильтром ЭМС. Чтобы добиться максимального эффекта от фильтра, при монтаже обязательно соблюдайте указания по подключению экранирующих цепей. Экран кабеля питания двигателя должен быть хорошо заземлен.

- Используйте кабель с экранирующей оплеткой.
- Площадь электрического контакта экрана с заземляющей поверхностью должна быть как можно большей. Рекомендуется заземлять экран кабеля путем присоединения его к пластине заземления с помощью металлических скоб.
- Заземляйте экранирующую оплетку с обеих сторон кабеля, а также заземляйте электродвигатель.

◆ Механический монтаж

■ Извлечение инвертора из упаковки

После извлечения инвертора из упаковки выполните проверку согласно следующей таблице.

Критерии проверки	Способ проверки
Соответствие полученной модели инвертора заказу.	Проверьте номер модели, указанный в паспортной табличке на боковой стенке инвертора.
Отсутствие каких-либо повреждений инвертора.	Осмотрите инвертор на предмет наличия каких-либо царапин или иных повреждений, возникших в процессе доставки.
Ослабление затяжки винтов и прочих элементов крепежа.	Проверьте затяжку с помощью отвертки или других инструментов.

Для инвертора в исполнении IP54 дополнительно проверяется наличие в комплекте поставки следующих частей.

Наименование части	Кол-во
Кабельный сальник (для ввода электропитания)	1
Кабельный сальник (для выхода питания двигателя)	1
Кабельный сальник (для цепей управления)	1
Кабельный сальник (для шины связи)	1
Дверной ключ	1
Заглушка (ввод кабеля управления)	1
Заглушка (ввод кабеля шины связи)	1

Если какой-либо из указанных выше критериев не соответствует норме, немедленно свяжитесь с поставщиком инвертора или с региональным представителем Omron Yaskawa Motion Control.

■ Выбор места для монтажа

При установке инвертора руководствуйтесь следующими правилами.

- Место установки инвертора должно быть чистым, без масляного (нефтяного) тумана и пыли.
- При монтаже и эксплуатации инвертора должны приниматься специальные меры защиты от попадания в него металлической пыли, масла, воды и прочих посторонних веществ.
- Не устанавливайте инвертор на основание из горючего материала, например, на деревянную панель.
- По месту установки инвертора должны отсутствовать радиоактивные и горючие вещества.
- По месту установки инвертора должны отсутствовать вредные газы и жидкости.
- По месту установки инвертора должны отсутствовать чрезмерные вибрации.
- По месту установки инвертора должны отсутствовать хлориды.
- По месту установки инвертора должно отсутствовать воздействие прямых солнечных лучей.
- Инверторы в исполнении IP54 устойчивы к попаданию на них непроводящей пыли и водяных брызг с любого направления. Во избежание образования конденсата внутри инверторов их следует устанавливать в отапливаемых помещениях с регулируемым микроклиматом. Во время выполнения подключений должны быть приняты меры против попадания воды и пыли внутрь инверторов в исполнении IP54.
- Перед переноской инвертора убедитесь, что его дверца закрыта. Переносите инвертор, взяв его за корпус, а не за дверцу или кабельные вводы. Если замки дверцы не заперты или инвертор удерживается при переноске за дверцу или кабельные вводы, он может упасть и повредиться, а также может нанести травму.
- Соблюдайте осторожность при подъеме инвертора, чтобы не повредить кабельные сальники. В случае повреждения сальников проникновение воды или пыли может привести к выходу оборудования из строя. Закрывайте неиспользуемые отверстия кабельных вводов заглушками, входящими в комплект поставки.
- При монтаже не допускайте повреждения кабельных сальников.

■ Ориентация в пространстве

Для эффективного охлаждения инвертор должен быть установлен в вертикальном положении. Чтобы обеспечить надлежащее теплорассеяние, предусмотрите при монтаже инвертора указанные ниже зазоры и воздушные промежутки.

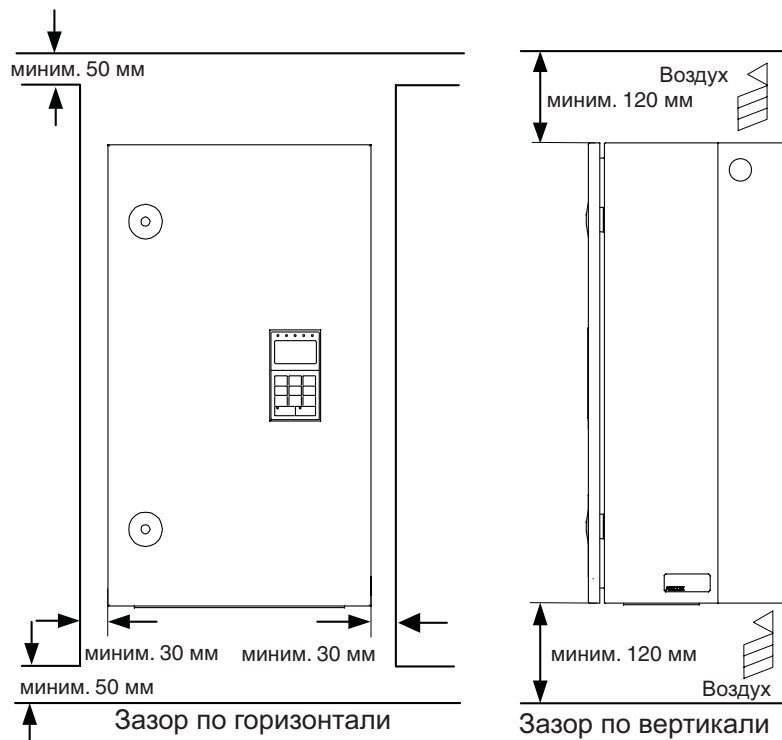


Рис. 1 Зазоры и воздушные промежутки при монтаже

◆ Подключение электрических цепей

■ Подключение инвертора

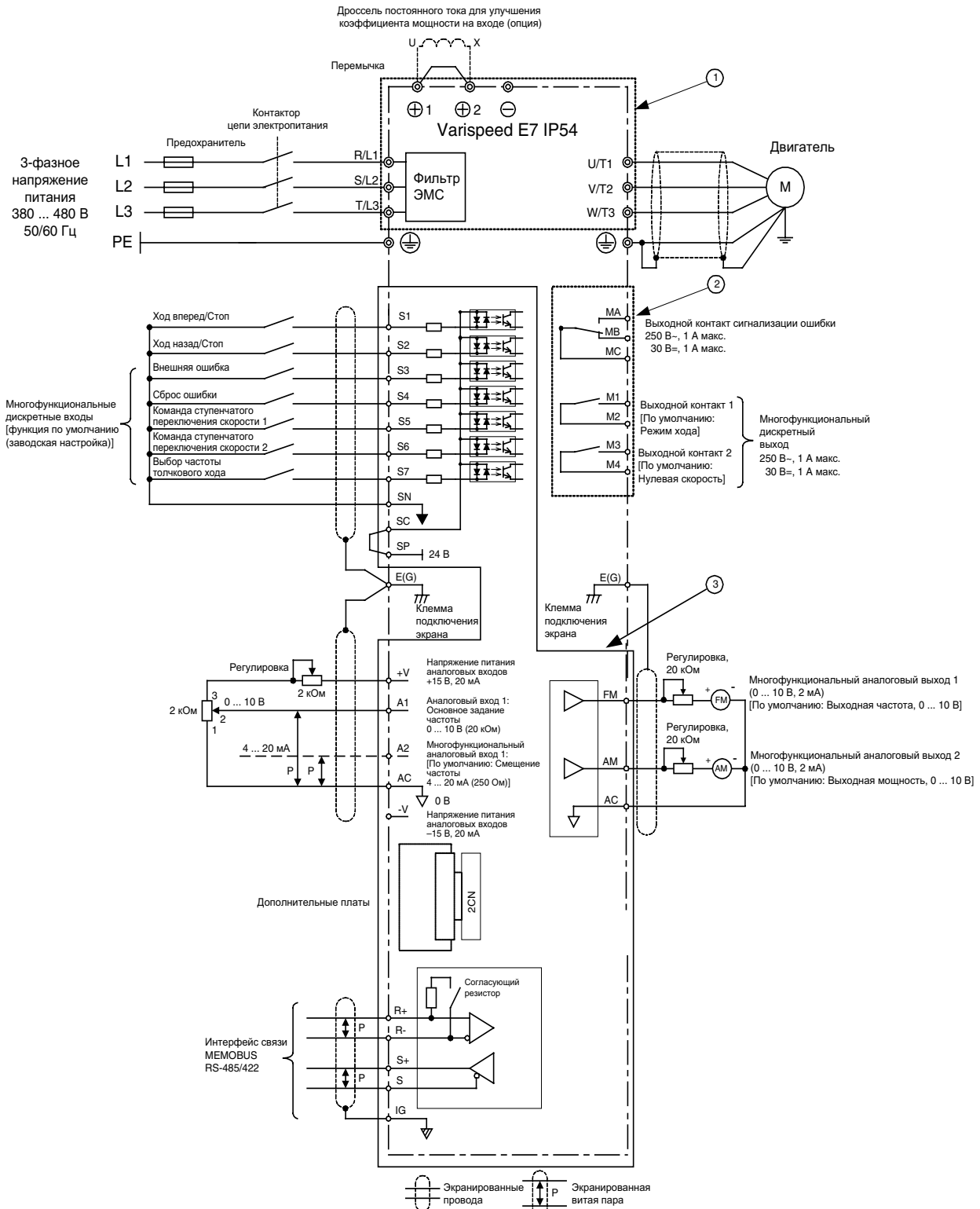


Рис. 2 Схема подключения инвертора

◆ Клеммы силовых цепей

Таблица 1 содержит перечень клемм силовых цепей, их обозначения и функции. Подключайте клеммы только в соответствии с их назначением.

Таблица 1 Назначение клемм силовой цепи (инверторы класса 200 В и 400 В)

Назначение	Обозначения клемм	Модель: CIMR-E7Z□□□□
Ввод напряжения электропитания (входная силовая цепь)	R/L1, S/L2, T/L3	47P5 ... 4055
Выходы инвертора	U/T1, V/T2, W/T3	47P5 ... 4055
Клеммы шины постоянного тока	⊕1, ⊖	47P5 ... 4055
Подключение дросселя постоянного тока	⊕1, ⊕2	47P5 ... 4018
Подключение тормозного блока	⊕3, ⊖	47P5 ... 4055
Заземление	⊕	47P5 ... 4055

■ Расположение клемм силовых цепей

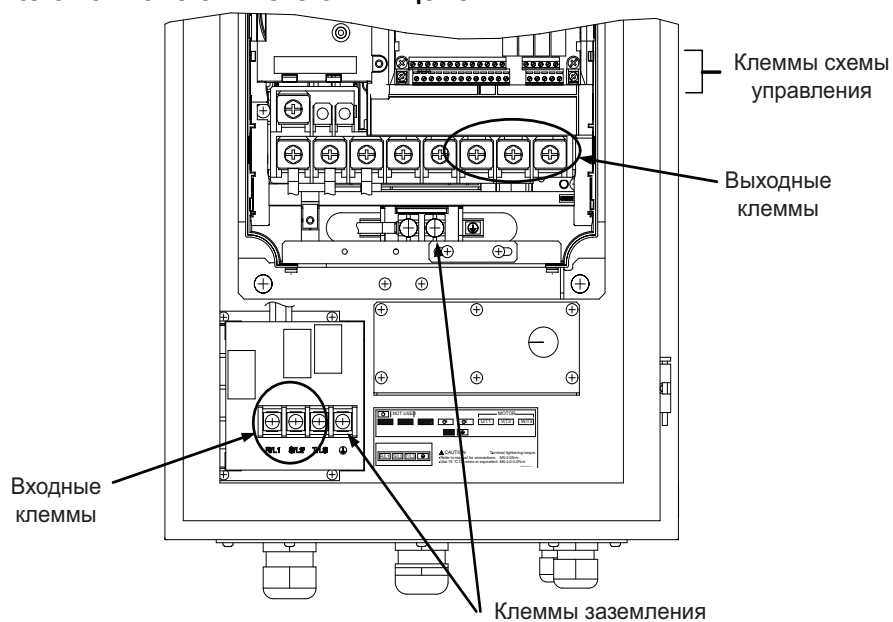


Рис. 3 Расположение клемм у инверторов мощностью от 7,5 до 30 кВт

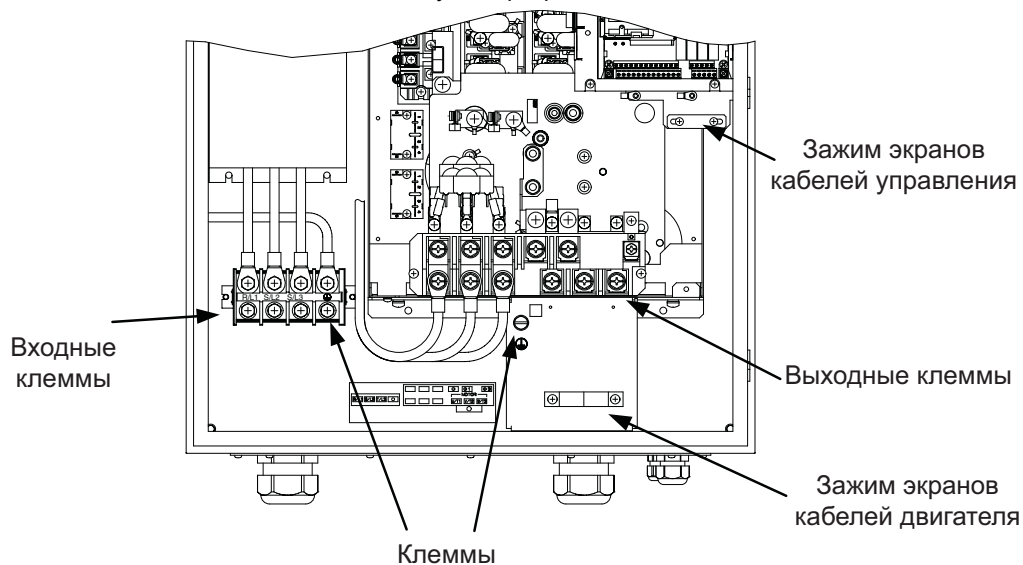


Рис. 4 Расположение клемм у инверторов мощностью от 37 до 55 кВт

■ Клеммы цепей управления

Рис. 5 показывает расположение клемм цепей управления. Функции клемм схемы управления перечислены в Таблица 2. Используйте клеммы только по назначению.

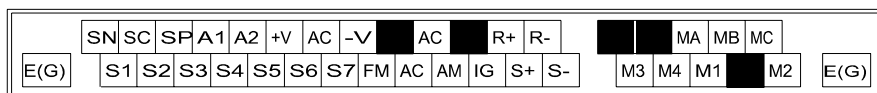


Рис. 5 Расположение клемм цепей управления

Таблица 2 Клеммы схемы управления и их функции, выбранные по умолчанию

Тип	Номер	Наименование сигнала	Функция		Уровень сигнала
Дискретные входы	S1	Команда «Ход вперед/стоп»	ВКЛ: Ход вперед; ВЫКЛ: Стоп		24 В=, 8 мА Оптронная развязка
	S2	Команда «Ход назад/стоп»	ВКЛ: Ход назад; ВЫКЛ: Стоп		
	S3	Вход «Внешняя ошибка» ^{*1}	ВКЛ: Ошибка.		
	S4	Сброс ошибки ^{*1}	ВКЛ: Сброс		
	S5	Команда ступенчатого переключения скорости 1 ^{*1} (Переключатель основного/вспомогательного задания)	ВКЛ: Вспомогательное задание частоты		
	S6	Команда ступенчатого переключения скорости 2 ^{*1}	ВКЛ: Скорость 2		
	S7	Задание частоты толчкового хода ^{*1}	ВКЛ: Частота толчкового хода		
	SC	Общая цепь дискретных входов	—		
	SN	Нейтраль дискретных входов	—		
	SP	Напряжение питания дискретных входов	+24 В= для дискретных входов		
Аналоговые входы	+V	Выход питания 15 В	Напряжение питания 15 В для аналоговых входов задания частоты		15 В (Макс. ток: 20 мА)
	A1	Задание частоты	0 ... +10 В/100 %		0 ... +10 В (20 кОм)
	A2	Вспомогательное задание частоты	Вспомогательное аналоговое задание частоты; 4 ... 20 мА (250 Ом)	Функция выбирается параметром Н3-09.	4 ... 20 мА (250 Ом) 0 В ... +10 В (20 кОм) 0 ... 20 мА (250 Ом)
	-V	Выход питания -15 В	Напряжение питания -15 В для аналоговых входов задания частоты		
	AC	Общая цепь аналоговых входов	—		—
	E(G)	Провод экрана, дополнительная точка заземления	—		—
Дискретные выходы	M1	Режим «Ход» (1 нормально разомкнутый контакт)	Замкнут в режиме «Ход»		Релейные выходы Допустимая нагрузка контактов: макс. 1 А при 250 В~ макс. 1 А при 30 В= ^{*3}
	M2		Замкнут при нулевом (b2-01) или более низком уровне выходной частоты		
	M3	Нулевая скорость (1 НО контакт)			
	M4				
	MA	Выход сигнализации ошибки	Замкнут между MA и MC при ошибке		
	MC		Разомкнут между MB и MC при ошибке		
Выходные аналоговые сигналы	FM	Выходная частота	Аналоговый сигнал значения выходной частоты; 0 ... 10 В; 10 В при Fмакс.	Функция выбирается параметром Н4-01	0 ... +10 В макс. ±5 %, макс. 2 мА
	AC	Общая цепь выходных аналоговых сигналов	—		
	AM	Выходная мощность инвертора	Аналоговый сигнал значения выходной мощности; 0 ... 10В; 10 В при макс. допуст. мощн. двиг.	Функция выбирается параметром Н4-04	

Тип	Номер	Наименование сигнала	Функция	Уровень сигнала
RS-485/422	R+	Вход интерфейса MEMOBUS	Для 2-проводного интерфейса RS-485 замкните накоротко R+ и S+, а также R- и S-.	Дифференциальный вход, оптронная развязка
	R-			
	S+	Выход интерфейса MEMOBUS		Дифференциальный вход, оптронная развязка
	S-			
	IG	Общий вывод сигнальных цепей		-

- *1. Для входов S3 ... S7 указаны функции, выбранные по умолчанию. При 3-проводном управлении по умолчанию выбраны следующие функции: S5 - 3-проводное управление, S6 – команда ступенчатого переключения скорости 1 и S7 - команда ступенчатого переключения скорости 2.
- *2. Этот источник не должен использоваться для питания каких-либо внешних устройств.
- *3. При коммутации индуктивной нагрузки, например, обмотки реле, питаемой от источника постоянного тока, подключайте шунтирующий диод, как показано на [Рис. 6](#).

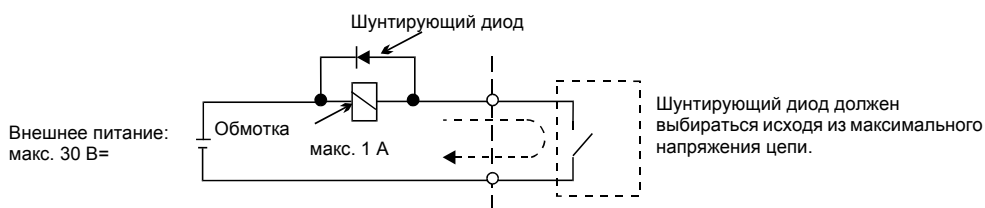


Рис. 6 Подключение шунтирующего диода



1. Подключение цепей дискретных входов S1 ... S7 на [Рис. 2](#) показано для случая, когда источником сигналов являются механические контакты или транзисторы NPN-типа (общий 0 В, отрицательная логика). Такая схема выбрана по умолчанию. Подключение транзисторов PNP-типа и использование внешнего источника питания 24 В описано в [Таблице 3](#).
2. Дополнительный дроссель постоянного тока является опцией только для инверторов мощностью 18,5 кВт и ниже. При подключении дросселя постоянного тока снимите перемычку.

■ Отрицательная/положительная логика (выбор NPN/PNP)

С помощью перемычки CN5 для входов можно выбирать отрицательную (общий 0 В, NPN) или положительную (общий +24 В, PNP) логику управления. Также имеется возможность использования внешнего источника питания, что позволяет более гибко выбирать способы подачи сигналов.

Таблица 3 Отрицательная/положительная логика и входные сигналы

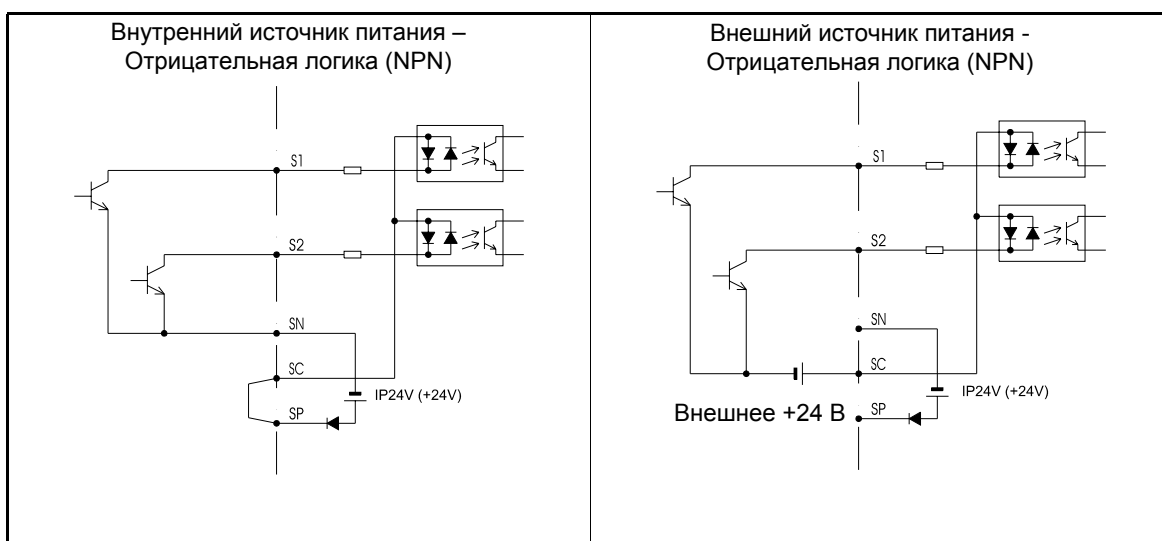
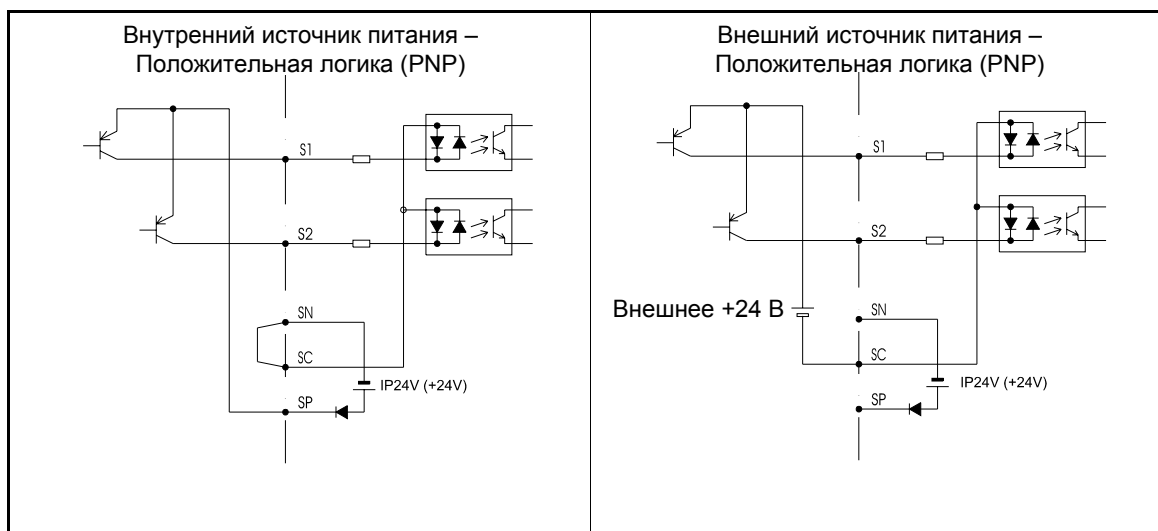


Таблица 3 Отрицательная/положительная логика и входные сигналы



◆ Подключение входных силовых цепей

Установка предохранителей

Для защиты инвертора рекомендуется использовать полупроводниковые предохранители, перечисленные в таблице ниже.

Таблица 4 Выбор предохранителя для входной цепи

Тип инвертора	Номинальный выходной ток (А)	Параметры предохранителя			Рекомендуемый предохранитель (Ferraz)		
		Напряжение (В)	Ток (А)	I^2t (А ² с)	Модель	Номиналы	I^2t (А ² с)
47P5	17	480	30	100~640	A60Q30-2	600V/30A	132
4011	24	480	50	150~1300	A70P50-4	700V/50A	300
4015	31	480	60	400~1800	A70P70-4	700V/70A	590
4018	39	480	70	700~4100	A70P80-4	700V/80A	770
4022	45	480	80	240~5800	A70P80-4	700V/80A	770
4030	60	480	100	500~5800	A70P100-4	700V/100A	1200
4037	75	480	125	750~5800	A70P125-4	700V/125A	1900
4045	91	480	150	920~13000	A70P150-4	700V/150A	2700
4055	112	480	150	1500~13000	A70P200-4	700V/200A	4800

При подключении цепей ввода электропитания необходимо соблюдать следующие предосторожности.

- Используемый в цепях питания (R/L1, S/L2 и T/L3) автоматический выключатель в литом корпусе должен быть пригоден для работы с инвертором.
- Применяемый автоматический выключатель, срабатывающий по току утечки на землю, должен обнаруживать любые токи утечки, чтобы обеспечить надежную защиту от токов утечки на землю.
- На входе инвертора допускается использовать электромагнитный контактор или другое коммутационное устройство. Не следует включать инвертор чаще одного раза в час.
- Фазы входного напряжения (R/S/T) можно подключать в любой последовательности.
- В случае подключения инвертора к силовому трансформатору большой мощности (600 кВт и выше), а также в случае включения фазокомпенсирующего конденсатора поблизости от инвертора, через входную силовую цепь может протекать ток чрезвычайно высокой амплитуды, который может вывести инвертор из строя. В качестве меры защиты установите на входе инвертора дополнительный дроссель переменного тока или подсоедините к соответствующим клеммам инвертора дроссель постоянного тока.
- При наличии вблизи инвертора индуктивных нагрузок используйте устройство ограничения перенапряжений или диод. Индуктивной нагрузкой являются электромагнитные пускатели, электромагнитные реле, электромагнитные клапаны, электромагниты и электромагнитные тормозные устройства.

■ Подключение выходных силовых цепей

При подключении выходных силовых цепей соблюдайте следующие меры предосторожности.

- Никогда не подавайте электропитание на выходные клеммы инвертора. Это может привести к повреждению инвертора.
- Никогда не замыкайте выходные клеммы между собой или на землю. Это может привести к повреждению инвертора.
- Не используйте фазокомпенсирующие конденсаторы. Это может привести к выходу из строя инвертора и конденсаторов.
- Проверьте логику управления и убедитесь в том, что электромагнитный контактор между инвертором и двигателем НЕ ВКЛЮЧАЕТСЯ и НЕ ВЫКЛЮЧАЕТСЯ во время работы инвертора. Включение электромагнитного контактора при работе инвертора приведет к возникновению большого пускового тока, который может вызвать срабатывание защиты инвертора от перегрузки по току.

■ Подключение цепи заземления

Для цепи заземления необходимо соблюдать следующие требования.

- Проводник заземления не должен одновременно использоваться другими устройствами, например, сварочными аппаратами или силовыми установками.
- Проводник цепи заземления должен соответствовать техническим стандартам на электрическое оборудование и иметь минимальную длину.
Инвертор создает ток утечки. Поэтому, если расстояние между точкой заземления и клеммой заземления инвертора слишком велико, потенциал на клемме заземления инвертора будет нестабильным.
- При использовании более одного инвертора провода заземления не должны образовывать замкнутый контур.

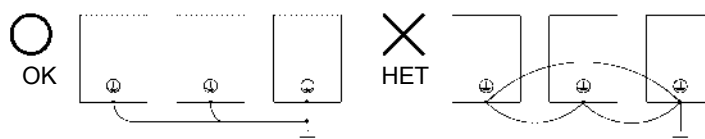


Рис. 7 Выполнение заземления

■ Меры предосторожности при подключении цепей управления

При подключении цепей управления необходимо соблюдать следующие меры предосторожности.

- Цепи управления должны быть отделены от силовых цепей (клеммы R/L1, S/L2, T/L3, B1, B2, ⊖, ⊕1, ⊕2 и ⊕3) и от других сильноточных цепей.
- Цепи, подключаемые к клеммам схемы управления MA, MB, MC, M1, M2, M3 и M4 (релейные выходы), должны быть отделены от других цепей управления.
- Используемый дополнительный внешний источник питания должен соответствовать Классу 2 по UL.
- Для предотвращения сбоев в процессе работы выполняйте монтаж цепей управления витыми парами или экранированными кабелями с витыми парами.
- Заземляя экраны кабелей, добивайтесь максимальной площади контакта экрана с заземляющей поверхностью.
- Экраны кабелей должны заземляться с обоих концов кабелей.

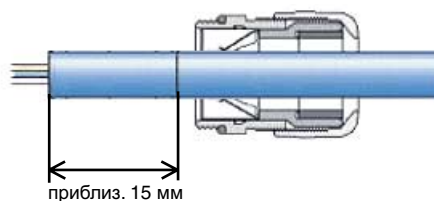
■ Установка сальников силовых кабелей

При монтаже инвертора в исполнении IP54 особое внимание следует уделить подключению кабеля питания двигателя. Для быстрого заземления экранирующей оплетки кабеля питания двигателя и обеспечения ЭМС используется металлическое кабельное уплотнение (сальник).

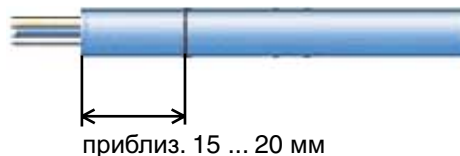
Монтаж металлического сальника (отвечающего требованиям ЭМС) кабеля питания двигателя в инверторе IP54 мощностью от 7,5 до 30 кВт:

- С обычным контактом:

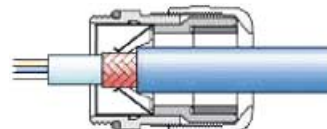
Выполните кольцевой надрез внешней оболочки на расстоянии около 14 мм от конца оболочки, не снимая оболочку. Пропустите кабель через сальник.



Снимите отрезанную внешнюю оболочку, удалите часть экранной оплетки и слегка оттяните кабель обратно, чтобы образовался надежный контакт экрана с пружинами кабельного сальника.



Зажмите кабельный сальник.

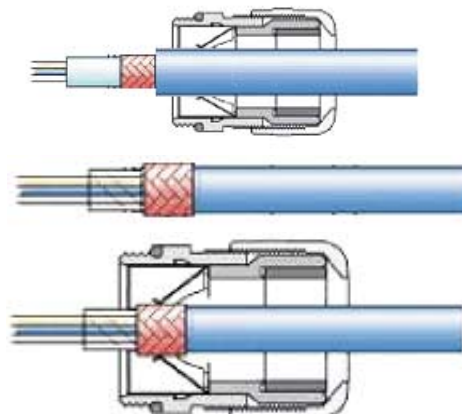


- С тонкими жилами, без внутренней оболочки:

Выполните кольцевой надрез наружной оболочки длиной 15 ... 20 мм и снимите отрезанную часть.

Заверните освобожденную оплетку на наружную оболочку. Находящуюся под экраном оболочку сохраните, чтобы облегчить пропускание кабеля через сальник.

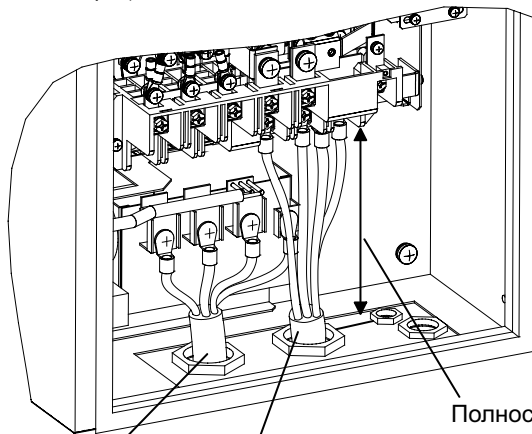
Пропустите кабель через сальник так, чтобы образовался надежный контакт экрана с пружинами сальника, и зажмите сальник.



Примечание: Для полного соответствия нормам ЭМС экранированный кабель должен быть плотно зажат в металлическом сальнике. Прежде чем зажимать металлический кабельный сальник, убедитесь в достаточности длины заведенной части кабеля и в его пригодности для клемм.

Особенности монтажа у инверторов в исполнении IP54 мощностью 22 кВт и 30 кВт

Полностью удалите экранирующую оплетку по всей длине кабеля, от вводного отверстия до подключаемых концов, во избежание замыкания на входные клеммы или фильтр.



Входной кабель Кабель питания двигателя (экранированный кабель) Полностью удалите экранирующую оплетку от вводного отверстия до подключаемых концов кабеля

Рис. 8 Экранирование кабеля питания двигателя в инверторах мощностью 22 и 30 кВт

Монтаж кабеля питания двигателя в инверторах IP54 мощностью от 37 до 55 кВт

Выполняйте монтаж экранированного выходного кабеля, как показано ниже на рисунке. Снимите наружную оболочку и зажмите экранирующую оплетку зажимом заземления.

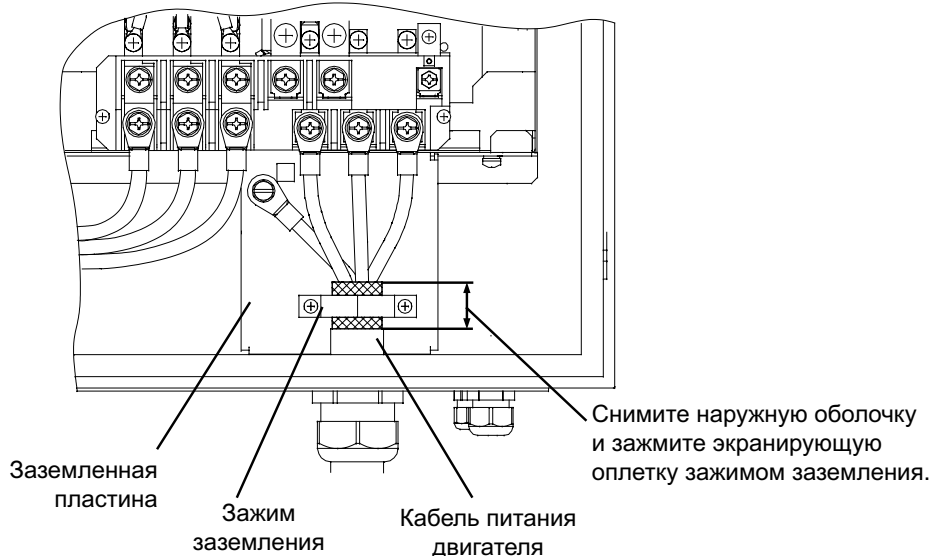


Рис. 9 Заземление кабеля питания двигателя с помощью зажима у инверторов мощностью от 37 до 55 кВт

■Заземление экрана кабеля управления в инверторах IP54

Для обеспечения надежного экранирования в инверторах IP54 предусмотрены заземляющие зажимы. На [Рис. 10](#) и [Рис. 11](#) показаны места их размещения.

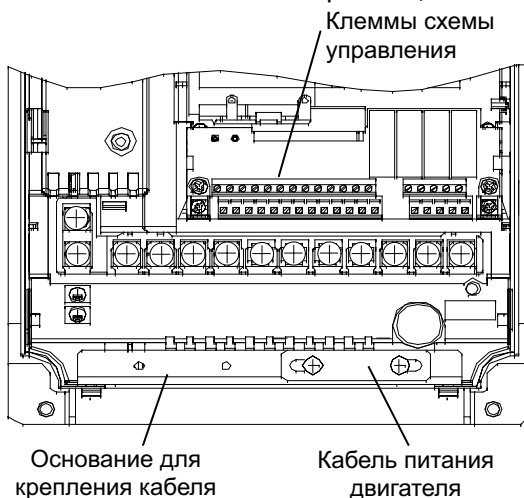


Рис. 10 Заземляющие зажимы в инверторах IP54 мощностью от 7,5 до 18,5 кВт

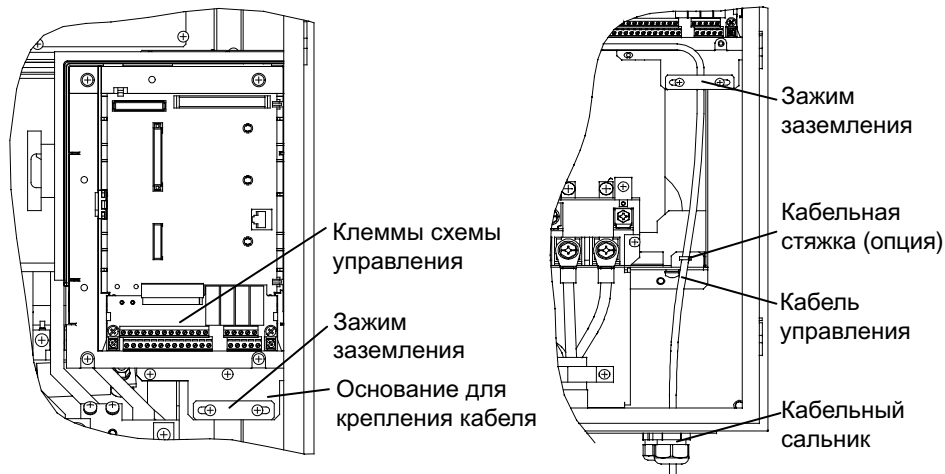
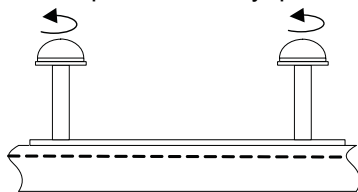
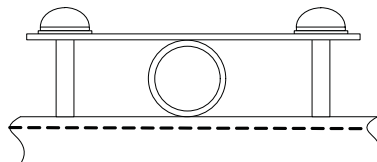


Рис. 11 Заземляющие зажимы в инверторах IP54 мощностью от 22 до 55 кВт

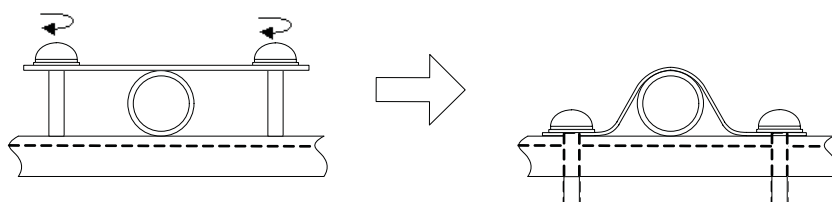
Ниже описана процедура зажатия экрана кабеля управления инвертора в исполнении IP54.



Ослабьте затяжку обоих винтов заземляющего зажима



Вставьте экранированный кабель управления между зажимом и основанием



Попеременно затягивайте винты до их полного завинчивания.

Рис. 12 Процедура заземления экрана кабеля управления

Управление с клавиатуры

◆ Цифровая панель управления с ЖК-дисплеем

Ниже приведены названия и функции клавиш цифровой панели управления



Индикаторы режимов привода

- FWD: Светится, когда подана команда «Ход вперед».
- REV: Светится, когда подана команда «Обратный ход».
- SEQ: Светится, когда разрешена подача команды «Ход» на клемму схемы управления.
- REF: Светится, когда разрешена подача сигнала задания частоты на клеммы A1 и A2 схемы управления.
- ALARM: Светится в состоянии ошибки или предупреждения.

Дисплей для отображения информации

Служит для отображения контролируемых данных, номеров параметров и заданных значений.

Клавиши

Служат для выполнения таких операций, как настройка параметров, контроль значений, выбор толчкового хода и автонастройка.

■ Клавиши цифровой панели управления

Клавиша	Название	Функция
	Клавиша LOCAL/REMOTE (ЛОКАЛЬНОЕ/ДИСТАНЦИОННОЕ)	Переключение между управлением с помощью цифровой панели (ЛОКАЛЬНОЕ) и параметрами b1-01 и b1-02 (ДИСТАНЦИОННОЕ). Данную клавишу можно разблокировать или заблокировать параметром o2-01.
	Клавиша MENU (МЕНЮ)	Выбор режимов.
	Клавиша ESC (ОТМЕНА)	Возврат в состояние, предшествующее нажатию клавиши DATA/ENTER (ДАННЫЕ/ВВОД).
	Клавиша JOG (ТОЛЧКОВЫЙ ХОД)	Иницирует толчковый ход, когда управление инвертором производится с цифровой панели.
	Клавиша FWD/REV (ВПЕРЕД/НАЗАД)	Выбор направления вращения двигателя, когда управление инвертором производится с цифровой панели.
	Клавиша Shift/RESET (Сдвиг/СБРОС)	Выбор разряда в режиме программирования параметров. Также действует как клавиша «Сброс» в случае возникновения ошибки.
	Клавиша Increment (Увеличение)	Выбор номеров параметров пользователя и увеличение значений параметров. Также используется для перехода к следующему пункту или данным.
	Клавиша Decrement (Уменьшение)	Выбор номеров параметров пользователя и уменьшение значений параметров. Также используется для перехода к предыдущему пункту или данным.
	Клавиша DATA/ENTER (ДАННЫЕ/ВВОД)	Вход в пункт меню, выбор параметра, подтверждение измененного значения параметра.
	Клавиша RUN (ХОД)	Запуск работы (вращения), когда управление инвертором производится с цифровой панели (режим локального управления).
	Клавиша STOP (СТОП)	Прекращение работы (вращения) (режимы локального и дистанционного управления). Если для управления используется не цифровая панель, а иной источник команд, данную клавишу можно разблокировать или заблокировать параметром o2-02.

Включение питания и настройка основных параметров

◆ Процедура запуска

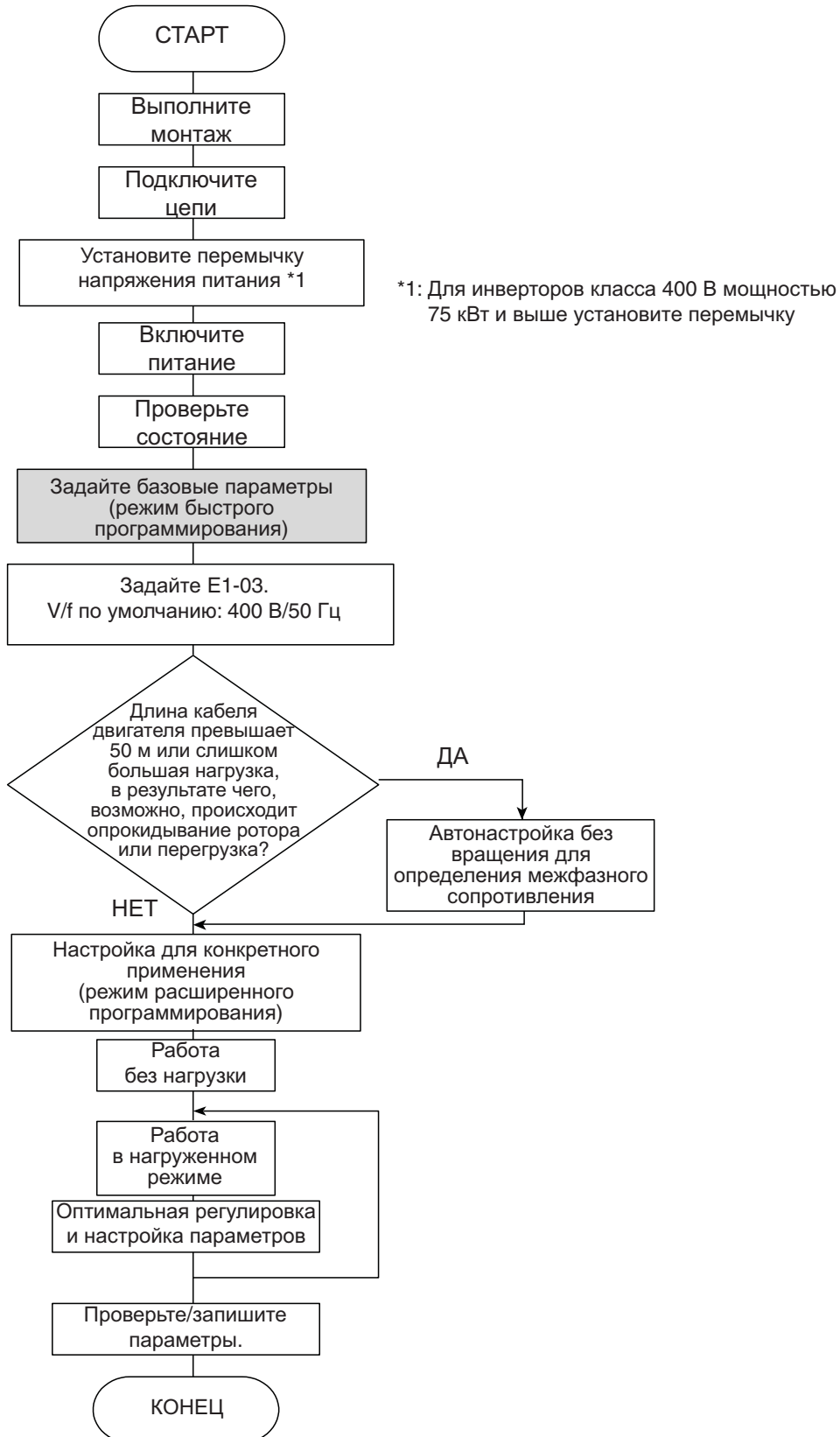


Рис. 13 Последовательность пробного запуска

◆ Действия перед включением питания

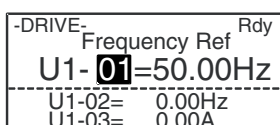
Перед включением питания тщательно проверьте следующее:

- Соответствие напряжения питания характеристикам инвертора.
- Надежность подключения кабелей питания к соответствующим клеммам (L1, L2, L3).
- Надежность подключения кабелей двигателя к соответствующим клеммам на стороне инвертора (U, V, W) и на стороне двигателя.
- Правильность подключения тормозного блока/тормозного резистора.
- Правильность подключения цепей к клеммам схемы управления инвертора и к управляющему устройству.
- Переведите все входы управления инвертора в состояние ВЫКЛ.
- В случае использования платы датчика (PG) проверьте правильность ее подключения.

◆ Состояние дисплея после включения питания

При отсутствии ошибок после включения питания на дисплее цифровой панели управления отображаются следующие сообщения

Дисплей при отсутствии ошибок



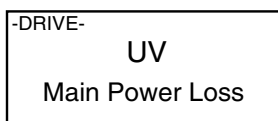
The display shows the following information:
-DRIVE- Frequency Ref Rdy
U1- 01 = 50.00Hz

U1-02= 0.00Hz
U1-03= 0.00A

На дисплее отображается контролируемое значение задания частоты.

При наличии ошибки или активного предупреждения будет отображено сообщение об ошибке или предупреждение. В этом случае см. [стр. 23, Поиск и устранение неисправностей](#).

Дисплей при наличии ошибок



The display shows the following information:
-DRIVE- UV
Main Power Loss

На дисплее отображается сообщение об ошибке или предупреждение. Показан пример предупреждения о пониженном напряжении.

◆ Автонастройка для определения межфазного сопротивления

Для улучшения характеристик управления в случае очень большой длины кабеля питания двигателя, а также в случае несовпадения номинальной мощности двигателя и инвертора может быть произведена автонастройка.

Для проведения автонастройки задайте параметры T1-02 (Номинальная мощность двигателя) и T1-04 (Номинальный ток двигателя), а затем нажмите клавишу RUN на цифровой панели управления. В течение, примерно, 20 секунд инвертор будет подавать питание на двигатель. В результате будет автоматически измерено межфазное сопротивление двигателя (сопротивление обмотки статора и сопротивление кабеля).



ВАЖНО

1. Во время автонастройки на двигатель подается питание, однако двигатель при этом не вращается. Не прикасайтесь к двигателю до завершения автонастройки.
2. Перед запуском автонастройки убедитесь в том, что все контакторы в цепи питания двигателя замкнуты.
3. Для отмены автонастройки нажмите клавишу STOP на цифровой панели управления.

■ Прочие предупреждения и ошибки режима автонастройки

Обзор возможных предупреждений и ошибок, возникающих во время выполнения автонастройки, а также меры по их устранению см. на [стр. 25, Ошибки автонастройки](#).

Параметры пользователя

Номер параметра	Название	Описание
Параметры инициализации		
A1-00	Выбор языка для дисплея цифровой панели управления (только для JVOP-160-0Y)	0: Английский 2: Немецкий 3: Французский 4: Итальянский 5: Испанский 6: Португальский
A1-01	Уровень доступа к параметрам	0: Только контроль (контроль режима привода и настройка параметров A1-01 и A1-04). 1: Используется для выбора параметров пользователя (отображать и задавать можно только те параметры, которые выбраны в A2-01 ... A2-32). 2: Полный доступ (Можно отображать и задавать параметры как в режиме быстрого (Q), так и в режиме расширенного (A) программирования).
A1-03	Инициализация	0: Без инициализации 1110: Возврат значениям параметров, заданным пользователем 2220: Выполняется инициализация с использованием двухпроводного управления (возврат к заводским значениям параметров). 3330: Выполняется инициализация с использованием трехпроводного управления.
Источник управления/задания		
b1-01	Выбор источника задания частоты	Устанавливает способ ввода задания частоты. 0: Цифровая панель управления 1: Клемма схемы управления (аналоговый вход) 2: Последовательный интерфейс (RS422/485) 3: Дополнительная плата
b1-02	Выбор источника команды RUN (Ход)	Устанавливает способ подачи команды «Ход». 0: Цифровая панель управления 1: Клемма схемы управления (многофункциональные дискретные входы) 2: Последовательный интерфейс (RS422/485) 3: Дополнительная плата
b1-03	Выбор способа остановки	Устанавливает метод остановки при отсутствии сигнала Run (Ход) 0: Торможение до полной остановки 1: Остановка с вращением по инерции (выбег) 2: Торможение с подпиткой постоянным током до остановки 3: Остановка с вращением по инерции с таймером (во время торможения новые команды Run (Ход) игнорируются).
b1-04	Запрет обратного хода	0: Обратный ход разрешен 1: Обратный ход запрещен 2: Чередование фаз выходного напряжения (разрешены оба направления вращения) 3: Запрет чередования фаз выходного напряжения и обратного вращения.
Определение скорости		
b3-01	Выбор определения скорости (определение тока или расчет скорости)	Разрешает/запрещает функцию определения скорости и задает метод определения скорости. 0: Отключено, расчет скорости 1: Включено, расчет скорости 2: Отключено, определение тока 3: Включено, определение тока
b3-14	Выбор направления вращения при определении скорости	Запрет или разрешение вращения в двух направлениях для функции определения скорости. 0: Отключено 1: Включено
ПИ-регулирование		
b5-01	Выбор режима ПИ-регулирования	0: Отключено 1: Включено 3: ПИ-регулирование включено (задание частоты + выход ПИ-регулятора).

Номер параметра	Название	Описание
b5-02	Коэффициент передачи пропорционального звена (P)	Устанавливает коэффициент передачи пропорционального звена ПИ-регулятора. P-регулирование не выполняется, если задано значение 0,00.
b5-03	Время интегрирования (I)	Задаёт время интегрирования ПИ-регулятора. I-регулирование не выполняется, если задано значение 0,0.
b5-09	Выбор выходной характеристики ПИ-контура	Выбирает прямое/обратное направление для выхода ПИ-контура. 0: Прямой выход ПИ-контура 1: Обратный выход ПИ-контура.
b5-17	Время увеличения/уменьшения опорного сигнала ПИ-регулятора	Задаёт время увеличения/уменьшения для функции мягкого пуска ПИ-регулятора (SFS).
b5-18	Выбор уставки ПИ-регулятора	0: Отключено 1: Включено
b5-19	Заданное значение (уставка) для ПИ-регулятора	Заданное значение (уставка) ПИ-регулятора
b5-31	Выбор единиц измерения для ПИ-констант	Выбор единиц измерения для констант ПИ-регулятора (b5-19, U1-24, U1-38).
Параметры разгона/торможения		
C1-□□	Значения времени разгона/торможения	Задаёт время разгона/торможения для ускорения/торможения от 0 Гц до максимальной выходной частоты и наоборот.
Параметры S-профиля		
C2-□□	Время S-профиля при разгоне	Определяют форму S-профиля в начале и в конце разгона.
Несущая частота		
C6-02	Выбор несущей частоты	Задаёт несущую частоту (исходное (заводское) значение зависит от мощности инвертора) 0: Низкая несущая частота, низкий уровень шумов 1: 2,0 кГц 2: 5,0 кГц 3: 8,0 кГц 4: 0,0 кГц 5: 12,5 кГц 6: 15,0 кГц F: Программируемая последовательность
Параметры скорости		
d1-01... d1-04	Скорости для ступенчатого переключения 1... 4	Значения фиксированных скоростей для ступенчатого переключения.
d1-17	Задание частоты толчкового хода	
Пределы задания частоты		
d2-01	Верхняя граница задания частоты	Задаёт верхний предел задания частоты в процентах от максимальной выходной частоты (E1-04)
d2-02	Нижняя граница задания частоты	Задаёт нижний предел задания частоты в процентах от максимальной выходной частоты (E1-04)
Параметры V/f-характеристики		
E1-01	Настройка входного напряжения	Данный параметр является базовым для функций защиты.

Номер параметра	Название	Описание
E1-04	Максимальная выходная частота (FMAX)	<p>Выходное напряжение (В)</p> <p>Чтобы V/f-характеристика имела вид прямой линии, необходимо задать одни и те же значения для E1-07 и E1-09. В этом случае значение E1-08 не используется. Необходимо, чтобы для четырех значений частоты соблюдалось следующее соотношение: E1-04 (FMAX) ≥ E1-06 (FA) > E1-07 (FB) ≥ E1-09 (FMIN)</p>
E1-05	Максимальное выходное напряжение (VMAX)	
E1-06	Основная частота (FA)	
E1-13	Основное напряжение (VBASE)	
Параметры двигателя		
E2-01	Номинальный ток двигателя	Содержат технические параметры двигателя. При использовании функции тепловой защиты двигателя введите точные значения.
E2-03	Ток холостого хода двигателя	
E2-05	Междуфазное сопротивление двигателя	
Параметры дискретных входов/выходов		
H1-01 ... H1-05	Выбор функций клемм S3 ... S7	Перечень возможных значений приведен на <i>стр. 22, Выбор функции дискретного входа (H1-01 ... H1-05)</i> .
H2-01 и H2-02	Выбор функций клемм M1-M2 и M3-M4	Перечень возможных значений приведен на <i>стр. 22, Выбор функции дискретного выхода</i> .
Параметры аналоговых входов/выходов		
H3-08	Выбор уровня сигнала многофункционального аналогового входа A2	Задаёт уровень сигнала на многофункциональном аналоговом входе A2. 0: 0 ... +10 В (11-разрядный вход). 2: 4 ... 20 мА (9-разрядный вход). 3: 0 ... 20 мА (9-разрядный вход) Чтобы использовать сигнал напряжения, обязательно переведите переключатель S1-2 в положение «V».
H3-09	Выбор функции аналогового входа A2.	Выбирает функцию многофункционального аналогового входа A2.
H3-13	Переключение входа A1/A2	Выбор входа для подачи основного задания частоты. 0: В качестве источника основного задания частоты используется аналоговый вход 1 (клемма A1). 1: В качестве источника основного задания частоты используется аналоговый вход 2 (клемма A2).
H4-01	Выбор контролируемого параметра (клемма FM)	Определяют номер контролируемого параметра (U1-□□), подаваемого на выход FM/AM.
H4-04	Выбор контролируемого параметра (клемма AM)	
H4-05	Коэффициент масштабирования (клемма AM)	Задаёт коэффициент масштабирования для аналогового выхода AM. Задаёт процент от контролируемого параметра, соответствующий выходному сигналу 10 В на клемме AM.

Номер параметра	Название	Описание
Защита двигателя		
L1-01	Выбор защиты двигателя	0: Отключено 1: Защита двигателя общего назначения (с вентиляторным охлаждением) 2: Защита двигателя, управляемого инвертором (с внешним охлаждением) 3: Защита двигателя с векторным управлением При выключении питания инвертора тепловое значение сбрасывается. Поэтому даже если защита активизирована, она может не сработать.
Возобновление работы после пропадания питания		
L2-01	Обнаружение кратковременного пропадания питания	0: Отключено (обнаружение пониженного напряжения (UV1) в шине постоянного тока). 1: Включено (Возобновление работы в случае восстановления питания в пределах времени, установленного параметром L2-02. Превышение L2-02 приводит к обнаружению пониженного напряжения в шине постоянного тока.) 2: Включено во время работы CPU. (Возобновление работы, если питание восстанавливается в ходе выполнения операции управления. Пониженное напряжение в шине постоянного тока не обнаруживается.)
Предотвращение опрокидывания ротора		
L3-01	Выбор режима предотвращения опрокидывания ротора во время разгона	0: Отключено (Разгон в соответствии с настройкой. В случае повышенной нагрузки может произойти опрокидывание ротора.) 1: Включено (Разгон прекращается, когда превышает уровень L3-02. Разгон возобновляется вновь, когда ток падает ниже уровня обнаружения опрокидывания ротора.) 2: Режим интеллектуального разгона (Параметр L3-02 используется как базовый, разгон корректируется автоматически. Заданное время разгона игнорируется.)
L3-02	Уровень предотвращения опрокидывания ротора во время разгона	Параметр действует, если для параметра L3-01 задано значение 1 или 2. Задаётся в процентах от номинального тока инвертора.
L3-04	Выбор режима предотвращения опрокидывания ротора во время торможения	0: Отключено (Торможение в соответствии с настройкой. Если время торможения слишком мало, может возникнуть превышение напряжения в в шине постоянного тока.) 1: Включено (Торможение прекращается, когда напряжение шины постоянного тока превышает уровень защиты от опрокидывания. Когда напряжение становится ниже уровня опрокидывания ротора, торможение вновь возобновляется.) 2: Режим интеллектуального торможения (Скорость торможения корректируется автоматически таким образом, чтобы инвертор выполнил торможение за наименьшее время. Заданное время торможения игнорируется.) При использовании устройства торможения (блока торможения) всегда вводите значение 0.
L3-05	Выбор режима предотвращения опрокидывания ротора в режиме вращения	0: Отключено (Вращение двигателя в соответствии с настройкой. В случае повышенной нагрузки может произойти опрокидывание ротора.) 1: Торможение с использованием времени 1 (C1-02). 2: Торможение с использованием времени 2 (C1-04).

Номер параметра	Название	Описание
L3-06	Уровень предотвращения опрокидывания ротора в режиме вращения	Параметр действует, если для параметра L3-05 задано значение 1 или 2. Задаётся в процентах от номинального тока инвертора.
Возобновление работы после возникновения ошибки		
L5-01	Количество попыток автоматического перезапуска	Устанавливает количество попыток автоматического перезапуска (возобновления работы). После возникновения ошибки автоматически выполняется перезапуск и производится поиск скорости, начиная с текущей частоты вращения.
L5-02	Выбор режима работы после автоматического перезапуска	Указывает, должно ли срабатывать реле сигнализации ошибки во время перезапуска после сбоя. 0: Не используется (реле сигнализации ошибки не срабатывает). 1: Используется (реле сигнализации ошибки срабатывает).
Обнаружение нагрузки		
L6-01	Выбор обнаружения нагрузки	0: Обнаружение нагрузки отключено. 1: Обнаружение превышения нагрузки только при согласовании скоростей; работа продолжается (предупреждение). 2: Непрерывное обнаружение превышения нагрузки в ходе работы; работа продолжается (предупреждение). 3: Обнаружение превышения нагрузки только при согласовании скоростей; двигатель останавливается с вращением по инерции (ошибка). 4: Непрерывное обнаружение перегрузки в ходе работы; двигатель останавливается с вращением по инерции (ошибка). 5: Обнаружение потери нагрузки только при согласовании скоростей; работа продолжается (предупреждение). 6: Непрерывное обнаружение потери нагрузки в ходе работы; работа продолжается (предупреждение). 7: Обнаружение потери нагрузки только при согласовании скоростей; двигатель останавливается с вращением по инерции (ошибка). 8: Непрерывное обнаружение потери нагрузки в ходе работы; двигатель останавливается с вращением по инерции (ошибка).
L6-02	Уровень обнаружения нагрузки	Номинальный ток инвертора принимается за 100 %.
L6-03	Время обнаружения нагрузки	Задаёт время обнаружения превышения/потери нагрузки.
Контролируемые данные (индикаторы)		
U1-01	Задание частоты, Гц/об/мин	
U1-02	Выходная частота, Гц/об/мин	
U1-03	Выходной ток, А	
U1-06	Выходное напряжение, В~	
U1-07	Напряжение в шине постоянного тока, В=	
U1-08	Выходная мощность, кВт	
U1-10	Состояние входных клемм	Показывает состояние входа (ВКЛ/ВЫКЛ). U1-10= : : : : : : : : 1: Команда FWD (S1) ВКЛ 1: Команда REV (S2) ВКЛ 1: Многофункциональный вход 1 (S3) ВКЛ 1: Многофункциональный вход 2 (S4) ВКЛ 1: Многофункциональный вход 3 (S5) ВКЛ 1: Многофункциональный вход 4 (S6) ВКЛ 1: Многофункциональный вход 5 (S7) ВКЛ

Номер параметра	Название	Описание
U1-11	Состояние выходных клемм	Показывает состояние выхода (ВКЛ/ВЫКЛ). U1-11= : : : : : : : : 1: Многофункциональный релейный выход 1 (M1-M2) ВКЛ 1: Многофункциональный релейный выход 2 (M3-M4) ВКЛ 1: Многофункциональный релейный выход 3 (M5-M6) ВКЛ Не использ. (Всегда 0). 1: Выход ошибки (MA/MВ-МС) ВКЛ
U1-12	Рабочее состояние	Рабочее состояние инвертора. U1-12= : : : : : : : : Ход 1: Нулевая скорость 1: Обратный ход 1: Вход сигнала сброса 1: Согласование скорости 1: Готовность инвертора 1: Незначительная ошибка 1: Серьезная ошибка
U1-13	Общее время наработки, часов	
U1-24	Значение сигнала обратной связи ПИ-контура, %	
U1-29	Суммарное значение энергии 1, кВт	
U1-30	Суммарное значение энергии 2, МВт	
U1-34	Номер параметра при ошибке OPE	
U1-36	Уровень входного сигнала ПИ-контура, %	
U1-37	Уровень выходного сигнала ПИ-контура, %	
U1-38	Величина задания ПИ-контура, %	
U1-40	Время работы охлаждающего вентилятора, часов	
U1-53	Сигнал обратной связи 2 ПИ-контура, %	
Данные детализации ошибки		
U2-01	Текущая ошибка	
U2-02	Последняя ошибка	
U2-03	Задание частоты при возникновении ошибки	
U2-04	Выходная частота при возникновении ошибки	
U2-05	Выходной ток при возникновении ошибки	
U2-07	Выходное напряжение задания при возникновении ошибки	
U2-08	Напряжение шины постоянного тока при возникновении ошибки	
U2-09	Выходная мощность при возникновении ошибки	
U2-11	Состояние входных клемм при возникновении ошибки	
U2-12	Состояние выходных клемм при возникновении ошибки	
U2-13	Рабочее состояние при возникновении ошибки	
U2-14	Общее время наработки при возникновении ошибки	
Данные протокола ошибок		
U3-01	...	Четыре последних ошибки (первая...четвертая)
U3-04	...	
U3-05	...	Общее время наработки при возникновении ошибок 1 ... 4
U3-08	...	
U3-09 ...	U3-14	Пятая ... десятая последние ошибки
U3-15 ...	U3-20	Общее время наработки при возникновении пятой ... десятой ошибки
* Следующие ошибки не заносятся в журнал ошибок: CPF00, 01, 02, 03, UV1 и UV2.		

Значение	Описание
Выбор функции дискретного входа (Н1-01 ... Н1-05)	
3	Команда ступенчатого переключения скорости 1
4	Команда ступенчатого переключения скорости 2
6	Команда «Частота толчкового хода» (имеет приоритет над командой ступенчатого переключения скорости)
F	Не используется (это значение выбирается, когда клемма не используется)
14	Сброс ошибки (сброс осуществляется при переключении в состояние ВКЛ)
19	Отключение ПИ-регулирования
от 20 до 2F	Внешняя ошибка; тип входного контакта: нормально разомкнутый/нормально замкнутый; режим обнаружения: обычный/во время работы
Выбор функции дискретного выхода (Н2-01 и Н2-02)	
0	Режим хода 1 (ВКЛ: активна (ВКЛ) команда Run (Ход) или на выход подано напряжение)
6	Готовность инвертора к работе; ГОТОВ: после инициализации или при отсутствии ошибок
F	Не использ. (значение выбирается, если клемма не используется).

Поиск и устранение неисправностей

Функции обнаружения ошибок и формирования предупреждений предназначены для сигнализации нештатных режимов работы инвертора/оборудования.

В случае предупреждения инвертор может продолжать работу, при этом на панели управления отображается предупреждающее сообщение (т.е., мигает код ошибки) и, если это запрограммировано, формируется сигнал предупреждения на многофункциональных выходах (H2-01 и H2-02). При устранении условий формирования предупреждения сигнализация предупреждения автоматически прекращается.

В случае ошибки выход инвертора немедленно отключается, на панели управления отображается сообщение об ошибке и включается выход ошибки. Состояние «ошибка» можно сбросить только вручную после снятия команды «Ход» и устранения причины возникновения ошибки.

В следующих таблицах приведен перечень ошибок и предупреждений и способы их устранения.

Таблица 5 Перечень ошибок и предупреждений

Код ошибки	Предупр	Ошибка	Описание	Меры по устранению
BUS Option Com Err		○	Ошибка дополнительной платы связи После первоначального установления связи соединение было прервано.	Проверьте соединения и конфигурацию программного обеспечения пользователя.
CPF00 COM- ERR(OP&INV)		○	Ошибка связи 1/2 с цифровой панелью • Ошибка связи между панелью управления и инвертором • Сбой внешнего ОЗУ ЦПУ	<ul style="list-style-type: none"> Отсоедините и вновь подсоедините цифровую панель управления. Подайте питание на инвертор. Замените инвертор.
CPF01 COM- ERR(OP&INV)				
CPF0x		○	Ошибка CPF02, CPF03, CPF04 • Ошибка схемы блокировки выхода • Ошибка EEPROM • Ошибка внутреннего АЦП ЦПУ	<ul style="list-style-type: none"> Произведите инициализацию параметров (восстановление заводских значений). Подайте питание на инвертор. Замените инвертор.
EF External Fault	○		Одновременная подача команд «Прямой ход»/ «Обратный ход» Команды прямого и обратного хода поданы одновременно в течение 500 мс или больше. Данное предупреждение приводит к остановке двигателя.	Проверьте внешнюю логику управления – одновременно должна поступать только одна команда.
EF0 Opt External Flt		○	Внешний сигнал ошибки от дополнительной платы связи	<ul style="list-style-type: none"> Проверьте наличие условий внешней ошибки. Проверьте параметры. Проверьте сигналы связи.
EFx Ext Fault Sx	○	○	Внешняя ошибка на входе Sx (x обозначает клеммы S3 ... S7)	Устраните причину внешней ошибки.
Ext Run active Cannot Reset	○		Предупреждение формируется, если команда RESET (Сброс) поступает при еще активной команде RUN (Ход)	Снимите команду «Ход», затем сбросьте ошибку.
GF Ground Fault		○	Замыкание на землю Ток цепи заземления на выходе инвертора превысил 50 % выходного номинального тока инвертора и L8-09=1 (защита включена).	<ul style="list-style-type: none"> Отсоедините двигатель и запустите инвертор без двигателя. Проверьте двигатель на наличие короткого замыкания между фазой и землей. Проверьте выходной ток с помощью прибора для измерения тока без разрыва цепи, чтобы проверить DCCT. Проверьте отсутствие ошибок в схеме управления контактором двигателя.
LL3 Loss of Load Det	○	○	Потеря нагрузки Обнаружена потеря нагрузки в соответствии с параметрами L6-01 ... L6-03.	<ul style="list-style-type: none"> Проверьте, правильно ли заданы значения L6-02 и L6-03. Проверьте механическую систему (механическое подсоединение нагрузки, например, ремень).
OC Over Current		○	Превышение тока Выходной ток инвертора превысил уровень обнаружения превышения тока.	<ul style="list-style-type: none"> Отсоедините двигатель и запустите инвертор без двигателя. Проверьте двигатель на наличие короткого замыкания между фазами. Проверьте значения времени разгона/ торможения (C1-□□). Проверьте инвертор на наличие короткого замыкания между фазами на выходе.
OH Heatsink Overtemp		○	Перегрев радиатора Температура охлаждающего радиатора инвертора превысила значение параметра L8-02, а L8-03 = 0, 1 или 2.	<ul style="list-style-type: none"> Проверьте скопление пыли на вентиляторах или радиаторе. Уменьшите окружающую температуру вблизи привода. Замените охлаждающий(-е) вентилятор(-ы).
		○	Охлаждающий вентилятор инвертора не работает Температура охлаждающего радиатора инвертора превысила значение параметра L8-02, а L8-03 = 3 или 4.	

Код ошибки	Предупр	Ошибка	Описание	Меры по устранению
OH1 Heatsnk MAX Temp		○	Перегрев радиатора Температура радиатора инвертора превысила 105 °С. Охлаждающий вентилятор инвертора не работает	<ul style="list-style-type: none"> Проверьте скопление пыли на вентиляторах или радиаторе. Уменьшите окружающую температуру вблизи привода. Замените охлаждающий(-е) вентилятор(-ы).
OL1 Motor Overload		○	Перегрузка двигателя Ошибка сигнализируется, если L1-01 = 1, 2 или 3 и величина I _т инвертора вышла за кривую перегрузки двигателя. Кривая перегрузки регулируется с помощью параметров E2-01 (номинальный ток двигателя), L1-01 (выбор защиты двигателя) и L2-02 (постоянная времени защиты двигателя)	<ul style="list-style-type: none"> Проверьте длительность цикла и величину нагрузки, а также время разгона/ торможения (C1-□□). Проверьте V/f-характеристику (E1-□□). Проверьте значение параметра E2-01 (Номинальный ток двигателя).
OL2 Inv Overload		○	Перегрузка инвертора Выходной ток инвертора превысил перегрузочную способность инвертора	<ul style="list-style-type: none"> Проверьте длительность цикла и величину нагрузки, а также время разгона/ торможения (C1-□□). Проверьте V/f-характеристики (E1-□□). Проверьте соответствие номинального тока инвертора номинальному току двигателя.
OV DC Bus Overvolt	○ (только в состоянии и останова)	○	Напряжение шины постоянного тока превысило уровень обнаружения превышения напряжения. По умолчанию используются следующие уровни обнаружения: Класс 200 В: 410 В= Класс 400 В: 820 В=	<ul style="list-style-type: none"> Увеличьте время торможения (C1-02/04) или подсоедините тормозное устройство. Проверьте напряжение питания и уменьшите его в соответствии с техническими характеристиками инвертора. Проверьте встроенный/внешний тормозной резистор.
PF Input Phase Loss		○	Обрыв фазы входного напряжения Слишком высокий уровень пульсаций в шине постоянного тока. Обнаруживается, только если L8-05=1 (разрешено)	<ul style="list-style-type: none"> Крепко затяните клеммные винты. Проверьте напряжение питания
PUF DC Bus Fuse Open		○	Разрыв цепи предохранителя шины постоянного тока Перегорел предохранитель в цепи электропитания. Предупреждение: Ни в коем случае не запускайте инвертор после замены предохранителя шины постоянного тока, не проверив силовые цепи на наличие короткого замыкания.	<ul style="list-style-type: none"> Проверьте двигатель и его кабели на наличие коротких замыканий или нарушения изоляции (между фазами). Устранив неисправность, замените инвертор.
UV1 DC Bus Undervolt	○ (только в состоянии и останова)	○	Напряжение шины постоянного тока находится ниже уровня L2-05 (Уровень обнаружения пониженного напряжения). По умолчанию используются следующие значения: Класс 200В: 190 В= Класс 400 В: 380 В= Отказ электромагнитного контактора цепи электропитания Нет сигнала обратной связи от контактора во время работы инвертора.	<ul style="list-style-type: none"> Проверьте входное напряжение. Проверьте подключение входных силовых цепей. Проверьте входное напряжение и подключение входных силовых цепей. Увеличьте значения параметров C1-01/03
UV2 CTL PS Undervolt		○	Пониженное напряжение питания схемы управления Пониженное напряжение питания схемы управления во время работы инвертора.	<ul style="list-style-type: none"> Отсоедините все цепи от клемм схемы управления и подайте питание на инвертор. Замените инвертор.

◆ Ошибки программирования

Ошибка программирования (OPE) возникает в том случае, когда несколько связанных параметров не согласуются между собой, либо неверно задан отдельный параметр. Пока параметр не будет задан правильно, инвертор работать не будет. При этом никакие другие предупреждения или сообщения об ошибках выводиться не будут. В случае возникновения OPE измените соответствующий параметр, выяснив причину ошибки по таблице, приведенной ниже. Во время индикации ошибки программирования нажмите клавишу ENTER (ВВОД), чтобы отобразить индикатор U1-34 (Обнаруженная ошибка OPE), содержащий номер параметра, вызвавшего ошибку программирования.

Таблица 6 Перечень ошибок программирования

Код ошибки	Описание	Меры по устранению
OPE01 kVA Selection	Ошибка настройки величины кВА инвертора	Введите правильное значение мощности (кВА) в параметр o2-04.
OPE02 Limit	Значение параметра выходит за допустимый диапазон	Проверьте настройку параметров.

Код ошибки	Описание	Меры по устранению
OPE03 Terminal	Ошибка выбора функции многофункционального входа При настройке многофункциональных входов (H1-01...H1-05) была допущена одна из следующих ошибок: <ul style="list-style-type: none"> Произошло дублирование функций. Не были одновременно выбраны команды UP/DOWN (значения 10 и 11). Были одновременно выбраны команды UP/DOWN (10 и 11) и команда удержания профиля (рампы) разгона/торможения (A). Одновременно было выбрано несколько входов поиска скорости (61, 62, 64). Одновременно было выбрано внешнее блокирование выхода с нормально разомкнутым (8) и нормально замкнутым (9) контактом. 	Проверьте значения параметров H1-□□
OPE03 Terminal	<ul style="list-style-type: none"> Команды UP/DOWN (10 и 11) были выбраны при включенном ПИ-регуляторе (b5-01). Одновременно выбрана команда аварийной остановки с нормально разомкнутым и нормально замкнутым контактом. Одновременно выбраны команды «Прогрев двигателя» (60) и «Прогрев двигателя 2» (80). Одновременно были выбраны команды «Аварийный режим в прямом направлении» (81) и «Аварийный режим в обратном направлении» (82). 	Проверьте значения параметров H1-□□
OPE05 Sequence Select	Ошибка выбора источника команды «Ход» или источника задания Параметр b1-01 (Выбор источника задания частоты) и/или параметр b1-02 (Выбор источника команды RUN) выбраны равными 3 (дополнительная плата), но дополнительная плата не установлена.	<ul style="list-style-type: none"> Проверьте, установлена ли плата. Выключите питание и переустановите дополнительную плату. Проверьте настройку b1-01 и b1-02.
OPE09 PI Selection	Ошибка настройки ПИ-регулятора Одновременно были настроены следующие параметры: <ul style="list-style-type: none"> для b5-01 (Выбор режима ПИ-регулирования) выбрано значение, не равное 0. для b5-15 (Уровень включения дежурного режима ПИ-регулятора) выбрано значение, не равное 0. b1-03 (Выбор способа остановки) выбран равным 2 или 3. 	Проверьте настройку параметров b5-01, b5-15 и b1-03.
OPE10 V/f Ptrn Setting	Ошибка настройки параметров V/f	Проверьте параметры (E1-□□). Возможно, установленное значение частоты/напряжения превышает максимальную частоту/напряжение.

◆ Ошибки автонастройки

В следующей таблице перечислены ошибки автонастройки. В случае обнаружения ошибки автонастройки ошибка индицируется на дисплее цифровой панели и двигатель останавливается в режиме вращения по инерции. Выход предупреждения или ошибки при этом не срабатывает.

Таблица 7 Перечень ошибок автонастройки

Код ошибки	Описание	Меры по устранению
Er - 01 Fault	Ошибка параметров двигателя	<ul style="list-style-type: none"> Проверьте введенные значения. Проверьте мощность инвертора и мощность двигателя. Проверьте значение номинального тока двигателя.
Er - 02 Minor Fault	Предупреждение.	<ul style="list-style-type: none"> Проверьте введенные значения. Проверьте подключение цепей и механическую систему. Проверьте нагрузку.
Er - 03 STOP key	Нажатие клавиши STOP	-
Er - 04 Resistance	Ошибка при измерении межфазного сопротивления <ul style="list-style-type: none"> Автонастройку не удалось выполнить за указанное время Значение, полученное в результате автонастройки, превышает допустимый диапазон 	<ul style="list-style-type: none"> Проверьте введенные значения. Проверьте цепи двигателя.
End - 3 Rated FLA Alm	Ошибка настройки номинального тока Отображается после завершения автонастройки Во время автонастройки измеренное значение номинального тока двигателя (E2-01) было выше заданного значения.	Проверьте значение номинального тока двигателя.